

netAMP

Public Address Expansion for *net* Series



Features and Functions

- Amplifier expansion cabinet of the *net* series
- 4,800 Watts of primary amplification*
- 1,200 Watts of backup amplification
- 32 independently addressable speaker loops*
- 42 RU, 19" frame in 800 mm pre-wired cabinet
- Prepared for installation of the *netCIS*
- IP connectivity via patch panel
- Prepared for customer network switches
- Redundancy capable
- Modularly expandable
- Dual mains use capable

*Maximum configuration

The *netAMP* Public Address Expansion by INDUSTRONIC synergizes customization and flexibility with quality and speed of delivery. Its ability to provide Paging and Alarming by connecting to any intelligent *net* Series System makes it easy to expand any plant. The pre-wired structure of the *netAMP* enables a tailor-made expansion according to your individual needs, which can be further extended at any time, if needed.

The *netAMP* provides an IP patch panel and space for customer supplied network switches. Using Plug & Play technology, connectivity via Ethernet and fiber optic media, the *netAMP* is the solution of simple and complex paging and alarming.

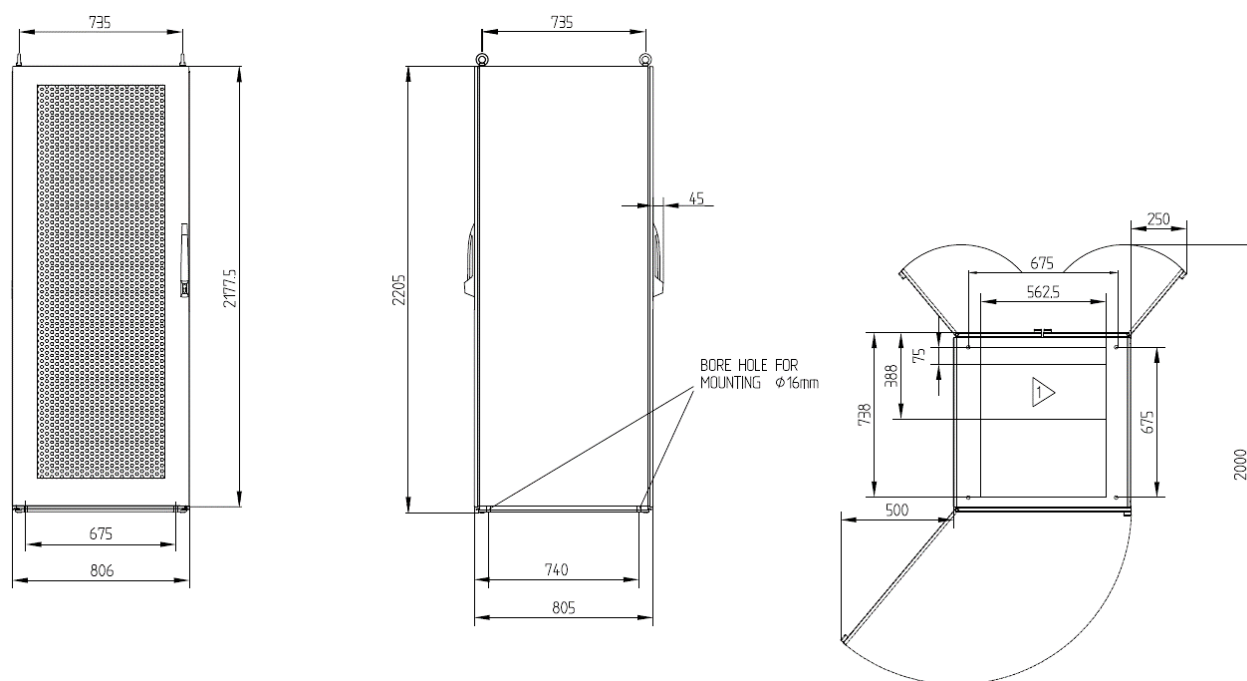


Fig. 1: Dimensional drawing cabinet

Mechanical Data

• Housing	Sheet steel
• Height x width x depth	2000 mm x 800 mm x 800 mm (78.7" x 31.5" x 31.5")
• Main color	Gray (RAL 7035)
• Curb weight	190 kg to 310 kg (419 lbs to 683 lbs)
• Degree of protection*	IP20 according to EN 60529
• Thickness of door sheet steel	2 mm (0.08")
• Thickness of side sheet steel	1.5 mm (0.06")
• Installation frame	19", 42 RU
• Opening angle of doors	180° front / 130° rear

* The degree of protection is only valid if the outer cabinet housing has not been modified. Additional openings or attachments (e.g. ventilation equipment, warning beacons, etc.) on the outer housing can result in a lower degree of protection.

Electrical Data

• Operating voltage range	120 VAC, 60 Hz
• Consumption range	Standby mode approx. 900 VA, max. 6,900 VA (varies on configuration)
• Internal operating voltage	48 VDC
• Surge protection for mains	Type 2

Environmental Requirements and Standards	• Ambient temperature during operation	-5 °C to +40 °C (+23 °F to +104 °F)
	• Relative humidity (non-condensing)	Max. 95%
Cabinet Accessories	• Cabinet illumination	1 (with power socket)
	• DIN-rail power sockets (for customer switches)	4
Other Features	• Pre-wired loudspeaker loops	32
	• Minor and major fault output	Each 1 (total 2, dry contact)
	• Spare relay outputs	2 (dry contacts)
Paging	Amplifier Chassis Capacity	
	• Primary amplification devices	8
	• Backup amplification device	2
	Amplifier Types	
	• 2 x 150 W or 1 x 300 W	Max. 2 Loops
	• 4 x 150 W or 2 x 300 W	Max. 4 Loops
	Backup Power Availability	
	• 4+2 (if 150 W amplifier modules used)	
	• 8+2 (if 300 W amplifier modules used)	
	Alarming	Safe Zone
• Indoor / outdoor speakers and horns		
Hazardous Area (Class I Div II)		
• Indoor / outdoor speakers and horns		
Alarming Functions		
• Zoned alarming		
• Manual initiation		
• Voice-over-Alarm		

Network Requirements

- IPv4 network
 - 10Base-T/100Base-TX Ethernet (IEEE 802.3), 100 MBit/s recommended
 - Support of UDP, TCP, SCTP, RTP and RTCP protocols
 - Quality of Service (QoS)
 - Ideal latency value < 20 ms (max. 50 ms)
 - Jitter: max. 10 ms
 - NTP support for access to a central NTP time server
 - Required bandwidths
 - 1 MBit/s basic bandwidth and 200 kBit/s per IP voice connection for system networking
 - For each IP public address unit NPA: 200 kBit/s basic bandwidth and 100 kBit/s per active audio channel
-

Order Data**Type Number**

320-700-800

INDUSTRONIC® Inc.
1170 US Highway 22 East
Suite 108
Bridgewater NJ 08807, USA

Tel. +1 908 393 5960
Fax: +1 908 393 5961

contact@industronic.com
www.industronic.com