

DB4 25W EExd – UL

Explosion protected Horn Speaker, UL listed



Features and Functions

- Robust industrial technology
- Sturdy and robust design
- Ingress protection IP66 & 67
- For use in speech and alarm applications

The explosion protected horn speakers of the DB4 25W EExd – UL series are used together with the INDUSTRONIC communication and public address system.

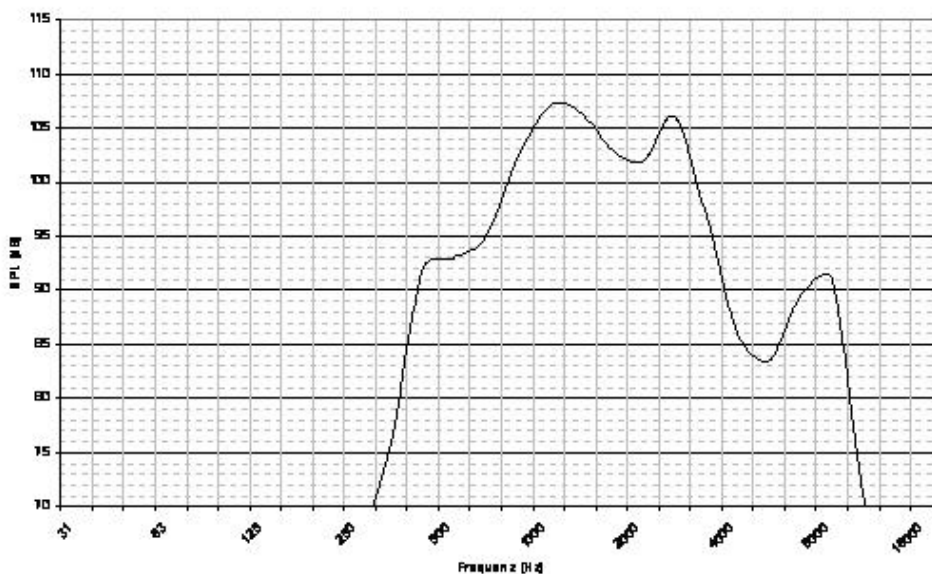
Mechanical Data

• Housing	Special plastic
• Dimensions Length x height x diameter	10 ^{11/16} x 11 x 6 ^{11/16} inch (271 mm*278mm*170mm)
• Cable entries	2 x 1/2" NPT
• Ingress Protection	NEMA 4x and 6, IP66 & 67
• Weight	App. 11 lbs. (5 kg)
• Colour	Black
• Mounting	Stainless steel bracket

Electrical Data

• Rated power	25 W @ 77°F (25°C)
• Transformer tapings	100V: 25/12.5/6/4/2/1 W
• Sound pressure level 1 W, 3.3 feet (1 m)	107 dB +/- 3 dB
• Sound pressure level 25 W, 3.3 feet (1 m)	119 dB +/- 3 dB
• Frequency range	400 Hz to 8000 Hz
• Dispersion -6 dB	1 kHz: 140°
• Operating temperature	-67°F to +158°F (-55°C to +70°C)
• Ex certification	Class I, Div 2, Groups A, B, C & D Class II, Div II, Groups F & G Class I, Zone 1, AExd IIC T5
• UL Certification No.	E203310

Frequency Diagram



Measurement conditions

Sound pressure level (SPL): 1W / 1m

Pink noise: 1/3 octave filter

Output level related to distance

P max:	Level (dB) at	(-6 dB)	(-14 dB)	(-20 dB)	(-23 dB)	(-26 dB)	(-28 dB)	(-29 dB)	(-36 dB)	
25 W	1 m (3 ft)	1 m (3 ft)	5 m (16 ft)	10 m (33 ft)	15 m (50 ft)	20 m (66 ft)	25 m (82 ft)	30 m (98 ft)	65 m (213 ft)	
		119	113	105	99	96	93	91	90	83

Polar Diagram

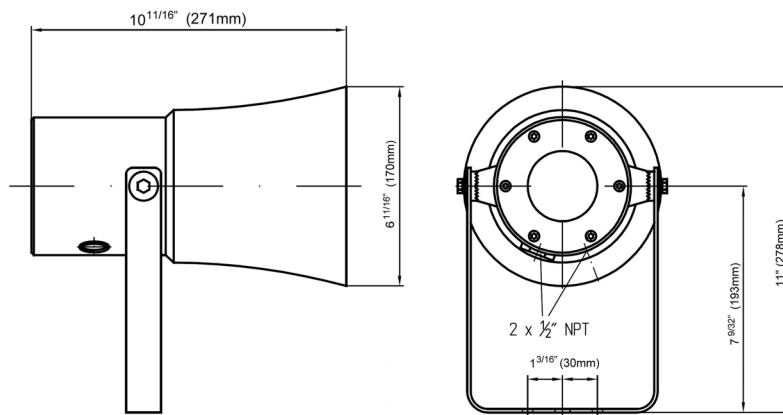
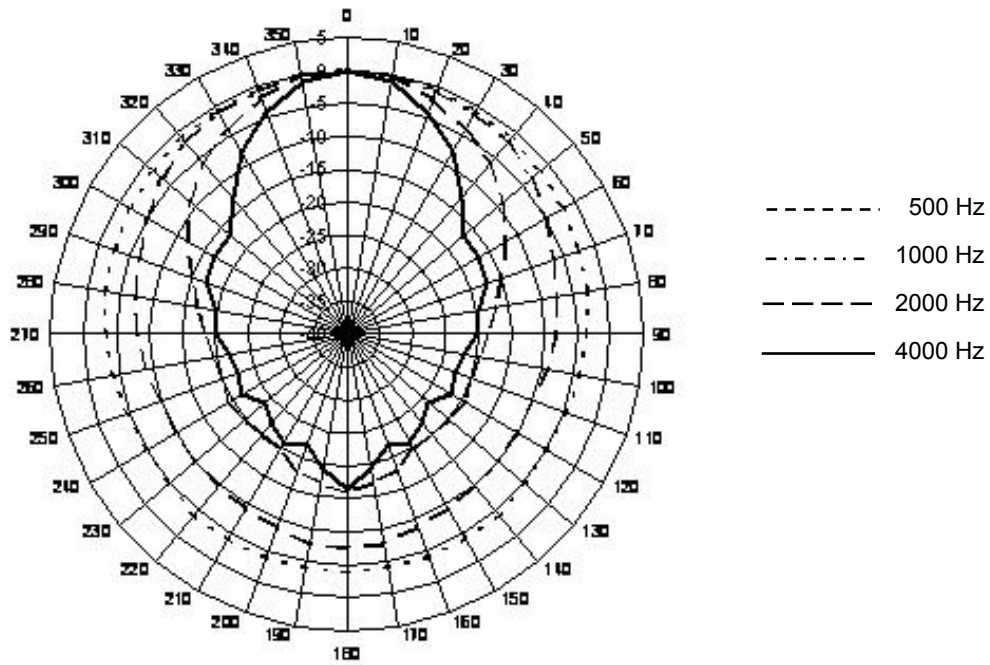


Figure 1: Dimensional drawing DB4 25 W EExd – UL

INDUSTRONIC® Inc.
 1011 US Highway 22 West
 Suite 301
 Bridgewater, NJ 08876, USA

Tel. +1 9083935960
 Fax: +1 9083935961

contact@industronic.com
 www.industronic.com