

DB4 25 W Ex – ATEX/CQST Explosion-proof Horn Speaker



Main features

- Robust industrial technology
- Sturdy and robust design
- Ingress protection IP 67
- ATEX certification
- For transmission of speech and alarm tones

The explosion proof horn speakers of the DB4 25 W series are used together with the INDUSTRONIC communication and public address system. They are ideal for the transmission of speech and alarm tones. They are used in harsh, explosion-proof areas of zone 1 and 2.

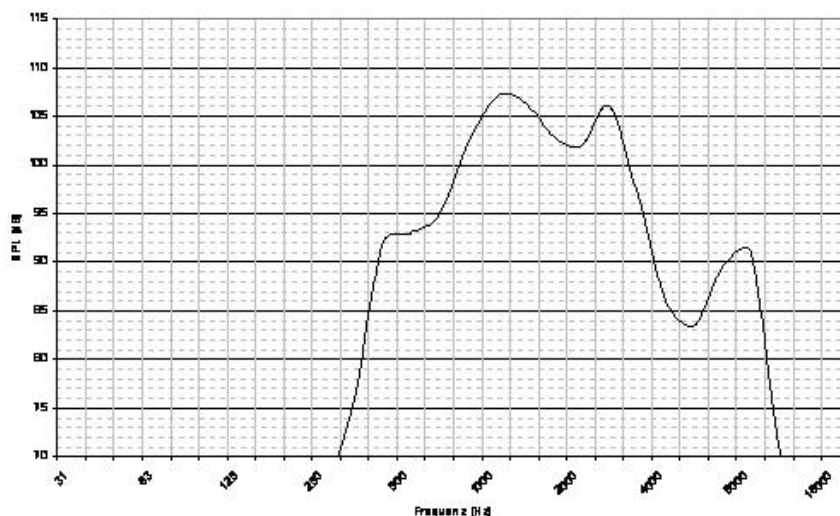
Mechanical data

• Housing	Special plastic
• Dimensions (diameter / depth)	Ø 170 mm / 271 mm (6 ¾" / 10 ¾")
• Cable entries	2 x M20 x 1,5
• Cable gland	1 x M20 x 1.5
• Ingress protection	IP 67
• Weight	5.1 kg (7 lb)
• Color	Black
• Mounting	Stainless steel bracket

Electrical data

• Rated power	25 W
• Transformer tapplings	100 V: 25 W / 12.5 W / 6 W / 4 W / 2 W / 1 W
• Sound pressure level 1 W, 1 m	107 dB +/-3 dB
• Sound pressure level 25 W, 1 m	119 dB +/-3 dB
• Effective frequency range	400 Hz to 8000 Hz
• Dispersion angle	1 kHz: 110°
• Ambient temperature	-20 °C to +50 °C (-4 °F to +122 °F)
• EX marking	Ex II 2 GD EEx d IIC T4 (135 °C/ 275 °F)
• Certificate number ATEX	BAS00ATEX2097X
• Certificate number CQST	CNEx05. 1061X

Frequency diagram



Measurement conditions

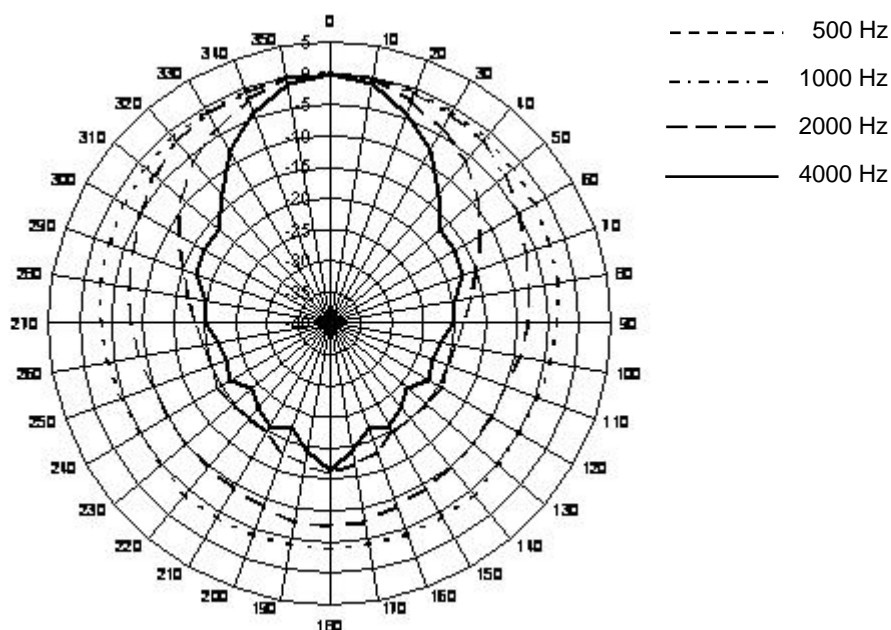
Sound pressure level (SPL): 1W / 1m

Pink noise: 1/3 octave filter

Output level related to distance

P max: at	Level (dB)	(-6 dB)	(-14 dB)	(-20 dB)	(-23 dB)	(-26 dB)	(-28 dB)	(-29 dB)	(-36 dB)
	25 W	1 m	1 m	5 m	10 m	15 m	20 m	25 m	30 m
	119	113	105	99	96	93	91	90	83

Polar diagram



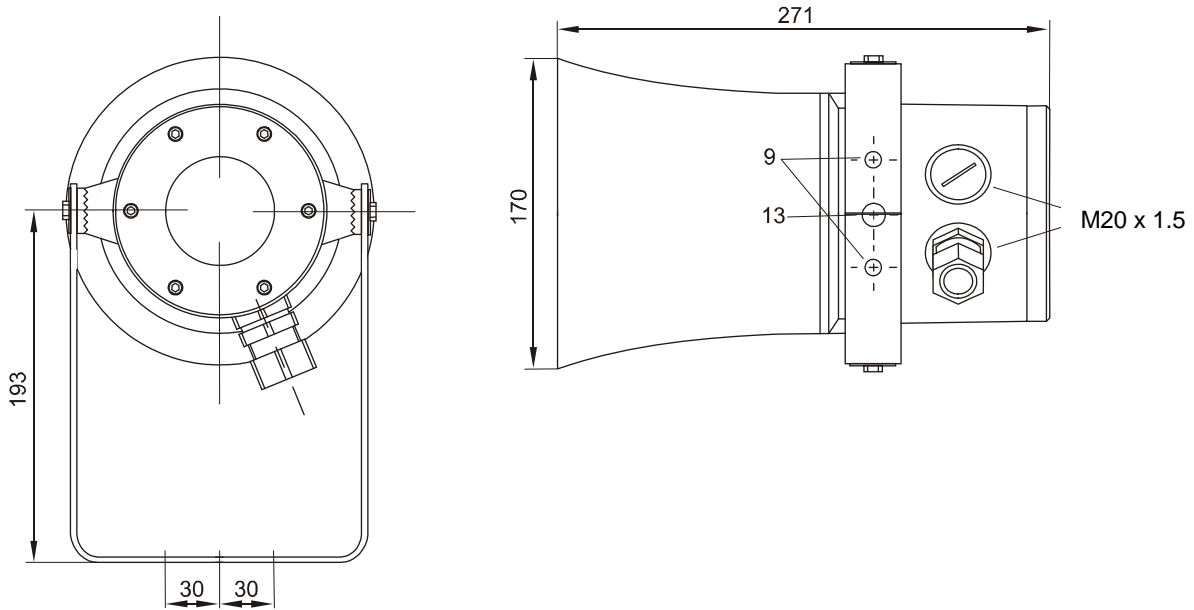


Figure 1: Dimensional drawing DB4 25 W Ex – ATEX/CQST

INDUSTRONIC®

Industrie-Electronic GmbH & Co. KG
 Carl-Jacob-Kolb-Weg 1
 97877 Wertheim / Germany

Tel.: +49 9342 871-0
 Fax: +49 9342 871-565

info@industronic.de
 www.industronic.com