

# SAFE-561T

## Wall-mounted and On-ceiling Speaker



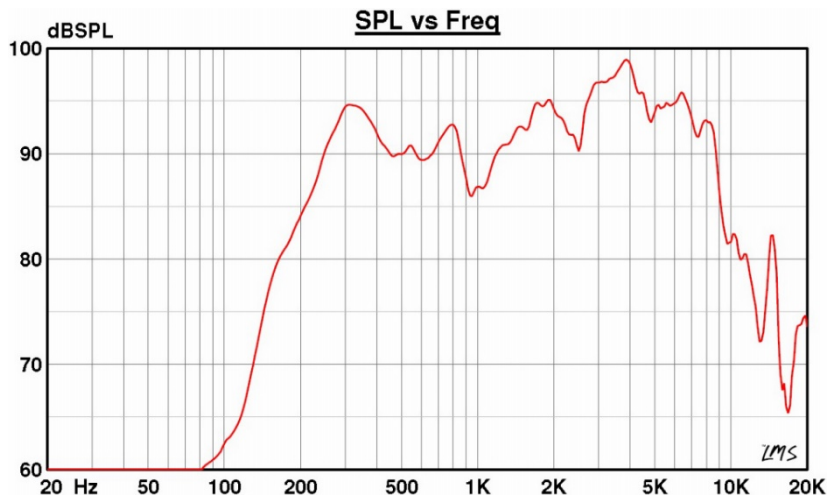
### Features and Functions

- Speaker for indoor use
- Robust, complete covered metal housing
- Good speech intelligibility
- Easy mounting
- Degree of protection IP30

This compact wall-mounted and on-ceiling speaker is ideal for simple installation in buildings providing a high level of clarity for alarming using voice or tones with tappable power at a maximum of 6 W. The enclosed housing protects the speaker against the ingress of dirt and dust. The connection cable is inserted through the cable entry into the housing of the speaker. Optionally, you can also use a M20 cable gland. This speaker is UL listed.

<b>Mechanical Data</b>		
• Housing		Steel
• Diameter x depth		169 mm x 65 mm (6.7" x 2.6")
• Cable entries		4 x M20
• Connection		Ceramic terminals
• Degree of protection		IP30
• Weight		Approx. 1.2 kg (approx. 2.7 lbs)
• Color		White (RAL 9010)
<b>Electrical Data</b>		
• Nominal load		6 W
• Transformer		100 V: 6 W / 3 W / 1.5 W / 0.5 W
• Sound pressure level 1 W, 1 m		90 dB (+/-3 dB)
• Sound pressure level 6 W, 1 m		97 dB (+/-3 dB)
• Frequency range		180 Hz to 13,000 Hz
• Dispersion (-6 dB)		1 kHz: 187° / 4 kHz: 77°
• Ambient temperature during operation		-20 °C to +110 °C (-4 °F to +230 °F)

### Frequency Diagram



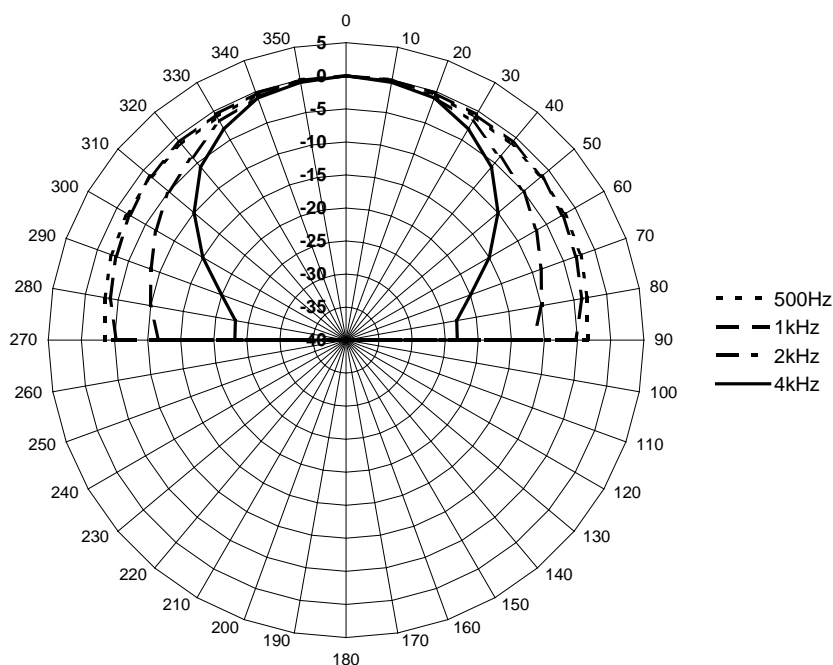
### Measurement Conditions

Sound pressure level (SPL): 1 W / 1 m (3.3 ft)      Pink noise: 1/3 octave filter  
 Zero level: 60 dB      Range: 40 dB

### Sound Pressure Level Related to Distance

P <sub>max</sub> : 6 W	Level (dB) at	(-6 dB)	(-12 dB)	(-16 dB)	(-18 dB)	(-22 dB)	(-24 dB)	(-26 dB)	(-28 dB)	
		1 m (3.3 ft)	2 m (6.6 ft)	4 m (13.1 ft)	6 m (19.7 ft)	8 m (26.3 ft)	12 m (39.4 ft)	16 m (52.5 ft)	20 m (65.6 ft)	25 m (82 ft)
		97	91	85	81	79	75	73	71	69

### Polar Diagram



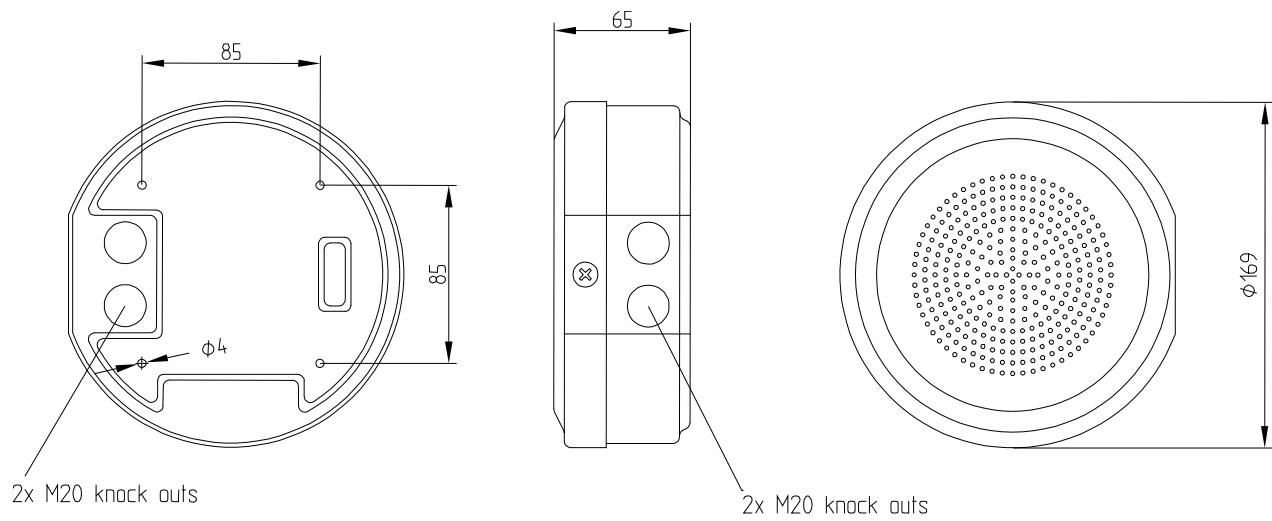


Figure 1: Dimensional drawing SAFE-561T

**Order Data**

**Type Number**

001-206-079

**INDUSTRONIC® Inc.**  
 1170 US Highway 22 East  
 Suite 108  
 Bridgewater NJ 08807, USA

Tel. +1 908 393 5960  
 Fax: +1 908 393 5961

contact@industronic.com  
 www.industronic.com