

1 DAH 02

Outdoor Handset with Cradle



Features and Functions

- Industrial handset for use in noisy areas
- Lightweight, handy and easy to operate
- Degree of protection IP66
- Duplex or half-duplex operation
- Automatic hook-off detection
- Reliable spring mechanism with lock
- Suitable for use with INDUSTRONIC intercom stations of the DAE 0x5 series

The 1 DAH 02 handset is designed to be connected to the DAE 0x5 digital outdoor intercom stations. The handset is lightweight, handy and has excellent sound quality. Depending on the configuration, conversations can be established as duplex or half-duplex connections. The spring mechanism with lock holds the handset securely in the cradle. Furthermore, the handset can be replaced in such a way that the connection remains established.

Components

- Housing with handset and stainless steel armored handset cord
- Spring mechanism with lock
- Connection cable to intercom station

Mechanical Data

- | | |
|---------------------------|--|
| • Height x width x depth | 221 mm x 154 mm x 100 mm
(8.7" x 6.1" x 3.9") |
| • Length connection cable | 0.6 m (2 ft) |
| • Weight | Approx. 1.5 kg (approx. 3.3 lbs) |
| • Color | Dark gray |

Electrical Data

- | | |
|-------------------|-----------------|
| • Microphone type | Electret |
| • Receiver inset | Dynamic |
| • Input level | 0 dB / 200 Ohms |

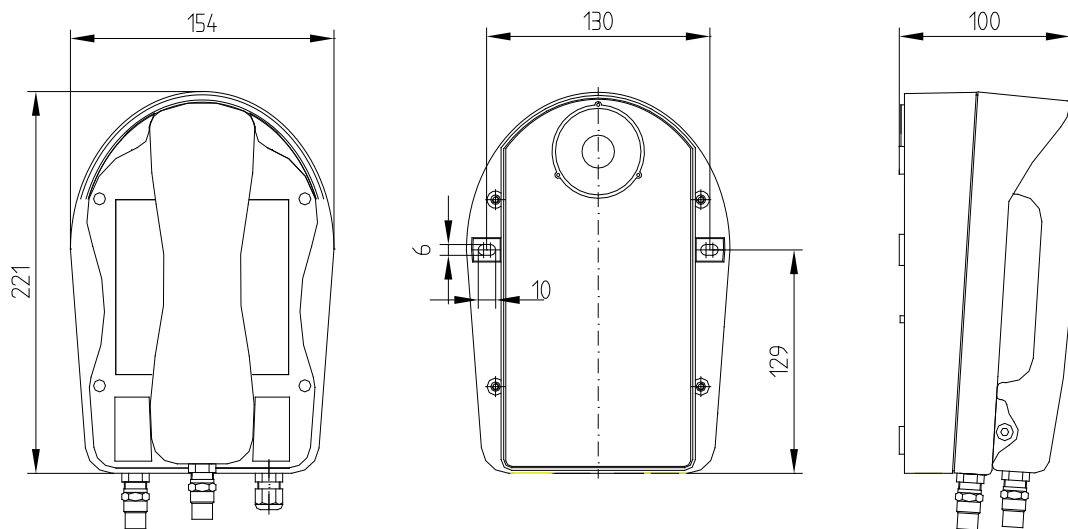


Figure 1: Dimensional drawing 1 DAH 02

Environmental Requirements and Standards

• Ambient temperature during operation	-20 °C to +55 °C (-4 °F to +131 °F)
• Humidity	Max. 95 %
• Degree of protection	IP66
• EMC	IEC/EN 61000-6-2 IEC/EN 61000-6-4
• Max. ambient noise level	100 dB

Scope of Supply

- 1 x handset with cradle

Order Data

Type Number

301-432-700

INDUSTRONIC®

Industrie-Electronic GmbH & Co. KG
Carl-Jacob-Kolb-Weg 1
97877 Wertheim / Germany

Tel.: +49 9342 871-0
Fax: +49 9342 871-565

info@industronic.de
www.industronic.com