

1 FSX 21

Explosion-proof Foot Switch



Features and Functions

- One-pedal non-latching Ex foot switch
- Suitable for Ex zone 1, 2, 21 and 22
- Robust aluminum die-cast enclosure with protective shield
- Slow action with double break, positive break
- 1 NC / 1 NO contact
- Pre-wired cable
- 3 meters of cable length

The 1 FSX 21 non-latching ex foot switch is used, where the manual actuation of an intercom station is not possible, for example. It is especially designed for use in potentially explosive areas of zone 1 and 2 as well as 21 and 22. The robust enclosure is manufactured using the aluminum die casting process, thus withstanding high levels of mechanical stress. The pedal, made of glass-fibre reinforced thermoplastic, has a shield to protect against unintentional actuation. A slow action switching system with double break, positive break is used.

Mechanical Data

• Enclosure	Aluminum die-cast, enamel finish
• Protective shield	Aluminum die-cast, enamel finish
• Pedal	Glass-fiber reinforced thermoplastic
• Width x height x depth	138 mm x 156 mm x 265 mm (5.4" x 6.1" x 10.4")
• Ingress protection	IP65
• Weight	Approx. 1.3 kg (approx. 2.9 lbs)
• Color of enclosure and protective shield	RAL 5011
• Connection	H05VV-F cable
• Wire cross-section	4 x 0.75 mm ²
• Cable length	3 m (9.8 ft)
• Switching system	Slow action with double break, positive break
• Switching cycles (10 % nominal load)	2 millions
• Utilization category	AC-15; DC 13

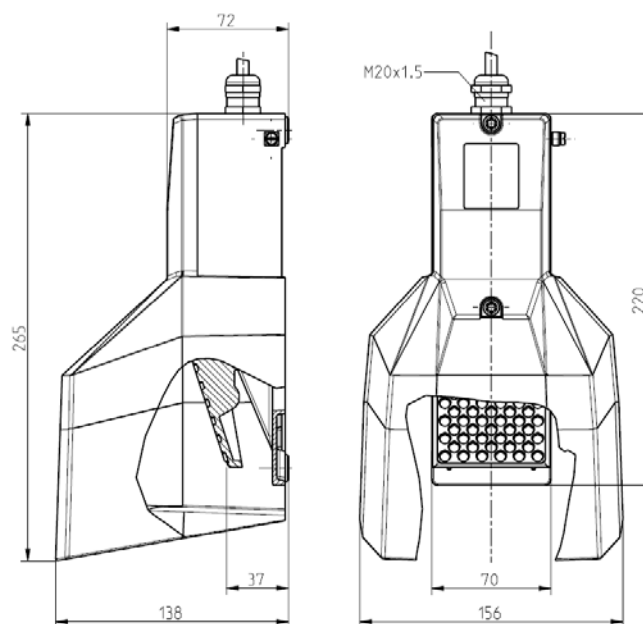




Figure 1: Dimensional drawing 1 FSX 21

Electrical Data

• Switching current / switching voltage	Max. 6 A / 250 VAC; max. 0.25 A / 230 VDC
• Max. fuse rating	6 A gL/gG D-fuse

Environmental Requirements and Standards

• Ambient temperature during operation	T6: -20 °C to +65 °C (-4 °F to +149 °F) T5: -20 °C to +95 °C (-4 °F to +203 °F)
• ATEX marking	 II 2G Ex d IIC T6 / T5 Gb  II 2D Ex tb IIIC
• EC type examination certificate	PTB 11 ATEX 1002X (referring to the switch insert)
• Standards	EN 60947-5-1; EN 1088; EN 60079-0; EN 60079-1; EN 60079-31; ISO 13849-1

Order Data

Construction	Type	Type Number
incl. connection cable with bare wire ends	1 FSX 21	013-010-003
incl. connection cable with connector for intercom stations of the DXE 0x5 series	1 FSX 21/Conn	013-010-004

INDUSTRONIC®

Industrie-Electronic GmbH & Co. KG
Carl-Jacob-Kolb-Weg 1
97877 Wertheim / Germany

Tel: +49 9342 871-0
Fax: +49 9342 871-565

info@industronic.de
www.industronic.com