

1 FS 21

Foot Switch



Features and Functions

- One-pedal non-latching foot switch
- Robust aluminum die-cast enclosure with protective shield
- Slow action with double break, positive break
- 1 NC / 1 NO contact
- Low pedal height
- High level of stability

The 1 FS 21 foot switch is used, where the manual actuation of an intercom station is not possible, for example. The robust enclosure is manufactured using the aluminum die casting process, thus withstanding high levels of mechanical stress. The pedal, made of glass-fibre reinforced thermoplastic, has a shield to protect against unintentional actuation. A slow action switching system with double break, positive break is used.

Mechanical Data

• Enclosure	Aluminum die-cast, enamel finish
• Protective shield	Aluminum die-cast, enamel finish
• Pedal	Glass-fiber reinforced thermoplastic
• Width x height x depth	138 mm x 156 mm x 265 mm (5.4" x 6.1" x 10.4")
• Ingress protection	IP65
• Weight	Approx. 1.3 kg (approx. 2.9 lbs)
• Color of enclosure and protective shield	RAL 5011
• Connection	Screw terminals
• Wire cross-section	Max. 2.5 mm ²
• Cable entry	M20 x 1.5
• Switching system	Slow action with double break, positive break
• Switching cycles (10 % nominal load)	2 millions
• Utilization category	AC-15

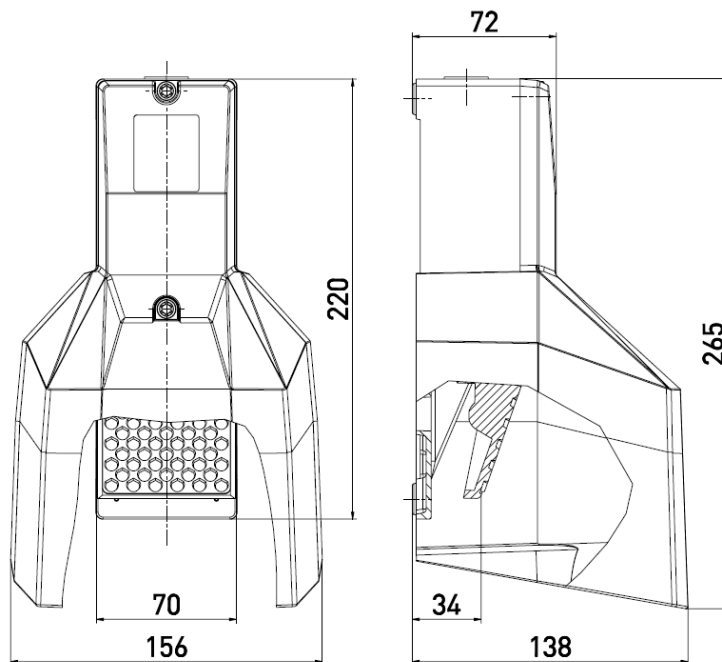


Figure 1: Dimensional drawing 1 FS 21

Electrical Data

- | | |
|---|---------------------|
| • Switching current / switching voltage | Max. 16 A / 400 VAC |
| • Max. fuse rating | 16 A gL/gG D-fuse |

Environmental Requirements and Standards

- | | |
|--|--------------------------------------|
| • Ambient temperature during operation | -25 °C to +80 °C (-13 °F to +176 °F) |
| • Standards | EN 60947-5-1; ISO 13849-1 |

Order Data

Type Number

013-010-002

INDUSTRONIC®

Industrie-Electronic GmbH & Co. KG
 Carl-Jacob-Kolb-Weg 1
 97877 Wertheim / Germany

Tel: +49 9342 871-0
 Fax: +49 9342 871-565

info@industronic.de
 www.industronic.com