

0 FBUD ... / 0 FBVD ... Base Station



Features and Functions

- Configuration of up to 96 voice connections
- Configuration of up to 16 channels, 1 channel is preset
- Transmitting power of up to 25 W
- 5-tone selective calling according to ZVEI 1 for communication control
- Busy signaling when frequency is used
- Available as VHF or UHF version

The base station of the 0 FBUD ... / 0 FBVD ... series is used as interface between radio devices and the INDUSTRONIC communication and public address system with digital interfaces. It is possible to establish a direct voice connection from an intercom station to a subscriber with a handheld or mobile radio. The base station can be installed at a remote location in proximity to the antenna.

Depending on the application, the base station is either equipped with a radio device for the 70 cm UHF range (DM1400/EU UHF) or the 2 m VHF range (DM1400/EU VHF). This radio device can be used in private PMR networks. Prior to commissioning, a license for the use of frequencies must be acquired from the corresponding national authority.

Components

- Radio device
- Control unit
- Digital I/O board
- AC power supply or DC/DC converter

Optional

- AC power supply
- 60 VDC power supply via INDUSTRONIC system

Mechanical Data

- | | |
|--------------------------|--|
| • Height x width x depth | 244 mm x 203 mm x 196 mm
(9.6" x 8" x 7.7") |
| • Housing material | Aluminum |
| • Weight | Approx. 5 kg (approx. 11 lbs) |

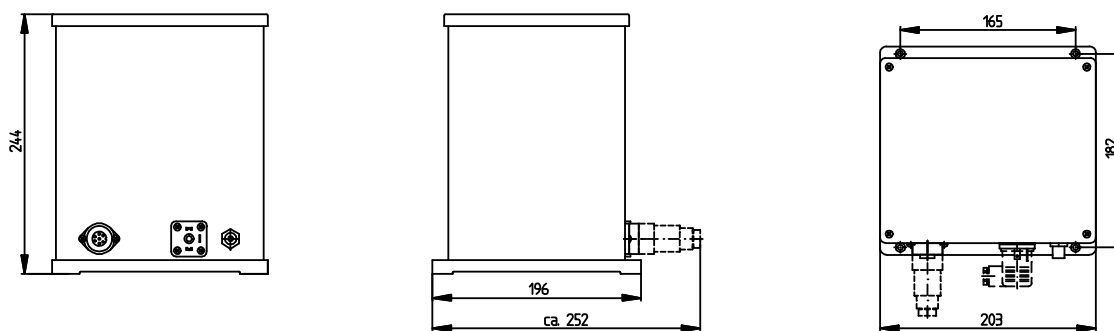


Figure 1: Dimensional drawing 0FBU ... / 0FBV ...

General Electrical Data

- | | |
|-------------------------|-------------------|
| • Operating voltage VDC | 60 VDC |
| • Operating voltage VAC | 110 VAC / 230 VAC |

Electrical Data of Radio Device

- | | | |
|-------------|-------------------------|---|
| | • Frequency range | VHF: 146 MHz to 174 MHz
UHF: 403 MHz to 470 MHz |
| | • Channel spacing | 12.5 kHz / 20 kHz / 25 kHz |
| | • Frequency stability | +/- 2.5 PPM |
| | • Antenna impedance | 50 Ohms |
| | • 5-tone selective call | ZVEI 1 |
| Transmitter | • Transmitting power | Adjustable 1 W to 25 W |
| | • Modulation limiting | +/- 2.5 kHz at 12.5 kHz
+/- 4.0 kHz at 20.0 kHz
+/- 5.0 kHz at 25.0 kHz |
| Receiver | • Receiver sensitivity | <0.3 μ V (12 dB SINAD) |
| | • Intermodulation (ETS) | >65 dB |

Environmental Requirements and Standards

- | | |
|---|---|
| • Degree of protection of radio device inside the housing | IP65 |
| • Temperature range | -20 °C to +55 °C (IEC 68-2-1/2) (-4 °F to 131 °F) |
| • Relative humidity | 93 % (IEC 68-2-3) |
| • EC directive | 1999/5/EC (directive for radio and telecommunications terminal equipment) |

Series Overview Chart	Operating Voltage	Frequency Range	Type	Type Number
110/230 VAC	403 – 470 MHz	0 FBUD 01	380-799-140	
		0 FBVD 01	380-799-141	
	-	0 FBxD 01	380-799-142	
36 – 72 VDC	403 – 470 MHz	0 FBUD 02	380-799-143	
		0 FBVD 02	380-799-144	
	-	0 FBxD 02	380-799-145	

INDUSTRONIC®

Industrie-Electronic GmbH & Co. KG
 Carl-Jacob-Kolb-Weg 1
 97877 Wertheim / Germany

Phone: +49 9342 871-0
 Fax: +49 9342 871-565

info@industronic.de
 www.industronic.com