

# DK 30 PP EN54

## Weather-proof Horn Speaker



### Features and Functions

- Robust industrial technology
- Sturdy and robust design
- Degree of protection IP66
- Certified according to EN 54-24

The weather-proof horn speakers of the DK 30 PP EN54 series are used together with the INDUSTRONIC communication and public address system. They are certified according to DIN EN 54-24 and therefore ideal for broadcasting voice alarms.

#### Mechanical Data

• Housing	ABS plastic
• Diameter x depth	∅ 234 mm x 329 mm (∅ 9.2" x 13")
• Cable entries	2 x ∅ 21 mm (2 x ∅ 0.8")
• Cable glands	2 x ½"
• Connection	Screw terminals
• Weight	Approx. 2.3 kg (approx. 5.1 lbs)
• Color	RAL 7035 (Gray)

#### Electrical Data

• Rated power	30 W
• Transformer tapplings	100 V: 30 W / 15 W / 7.5 W / 3.75 W
• Sound pressure level 1 W, 1 m (3.3 ft)	110 dB +/-3 dB
• Sound pressure level 30 W, 1 m (3.3 ft)	125 dB +/-3 dB
• Effective frequency range	400 Hz to 7,500 Hz
• Dispersion angle -6 dB	1 kHz: 110°, 4 kHz: 30°

### Environmental Requirements and Standards

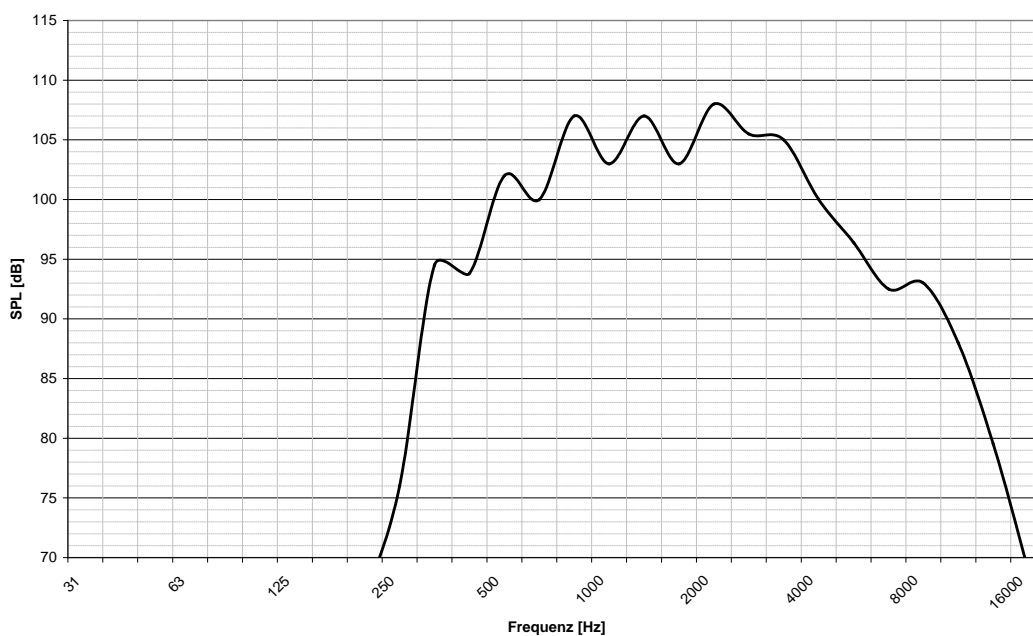
• Ambient temperature during operation	-30 °C to +60 °C (-22 °F to +140 °F)
• Relative humidity (non-condensing)	Max. 95 %
• Degree of protection	IP66
• Certification	EN 54-24:2008

### Order Data

### Type Number

001-230-008

### Frequency Diagram



### Measurement Conditions

Sound pressure level (SPL): 1 W / 1 m

Pink noise: 1/3 octave filter

### Output Level Related to Distance

P <sub>max</sub> :	Level (dB) at	(-6 dB)	(-14 dB)	(-20 dB)	(-23 dB)	(-26 dB)	(-28 dB)	(-29 dB)	(-36 dB)	
	30 W	1 m (3.3 ft)	2 m (6.6 ft)	5 m (16.4 ft)	10 m (32.8 ft)	15 m (49.2 ft)	20 m (65.6 ft)	25 m (82 ft)	30 m (98.4 ft)	65 m (213.3 ft)
		125	119	111	105	102	99	97	96	89

### Polar Diagram

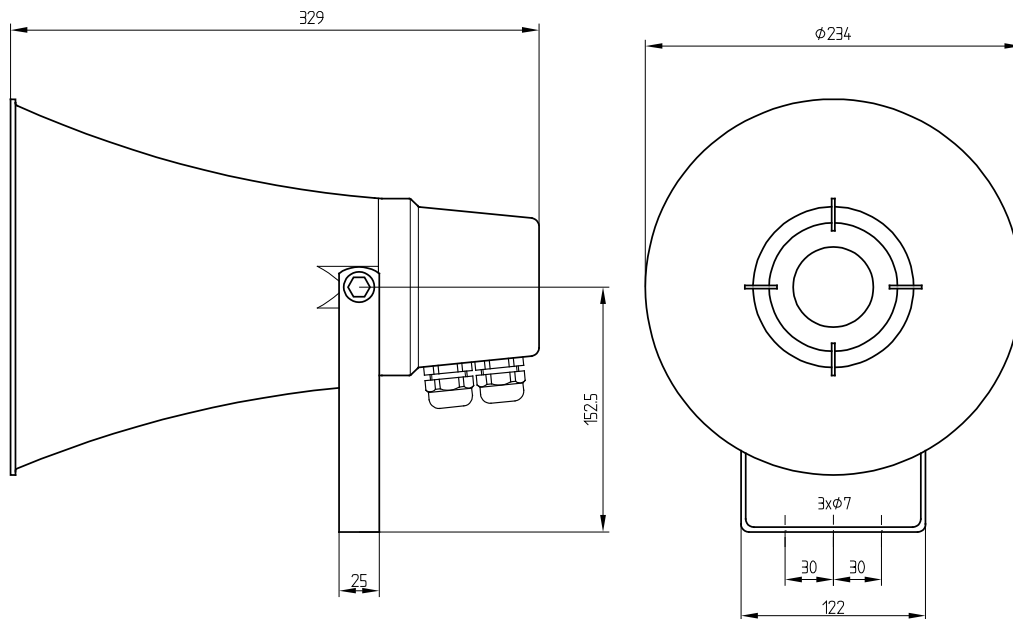
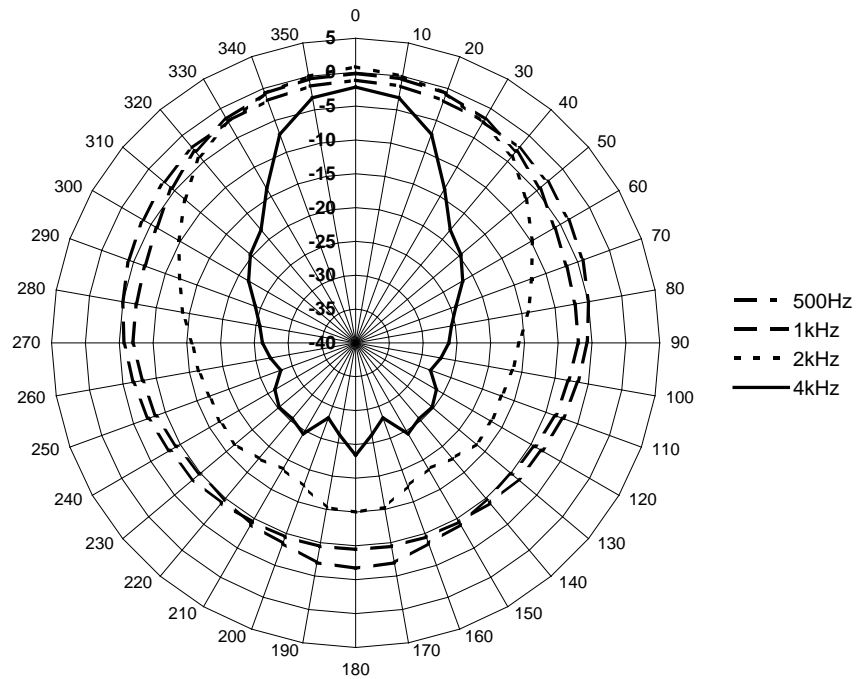


Fig. 1: Dimensional drawing DK 30 PP EN54

**INDUSTRONIC®**

Industrie-Electronic GmbH & Co. KG  
 Carl-Jacob-Kolb-Weg 1  
 97877 Wertheim / Germany

Tel.: +49 9342 871-0  
 Fax: +49 9342 871-517

info@industronic.de  
 www.industronic.com