

# KL 30 UE

## Weatherproof horn speaker



### Main features

- Strong industry technique
- Stable and robust design
- Ingress protection IP 67
- For use in indoor and outdoor areas

The weatherproof horn speakers from type KL 30 UE are operated at INDUSTRONIC communication and public address system. The speakers are ideal for speech and alarm transmission in indoor and outdoor areas. Mounted with an U-bracket. They have a M20-cable gland for cabling and a blind plug for second cables.

### Mechanical data

• Housing	Plastic
• Dimensions front / depth	Ø 237mm / 286 mm
• Cable entries	2 x M20 x 1,5
• Cable gland	1 x M20 x 1,5
• Connection	Screw terminals
• Ingress protection	IP 67
• Weight	ca.2.5 kg
• Colour	Grey, RAL 7035
• Mounting	Stainless steel bracket

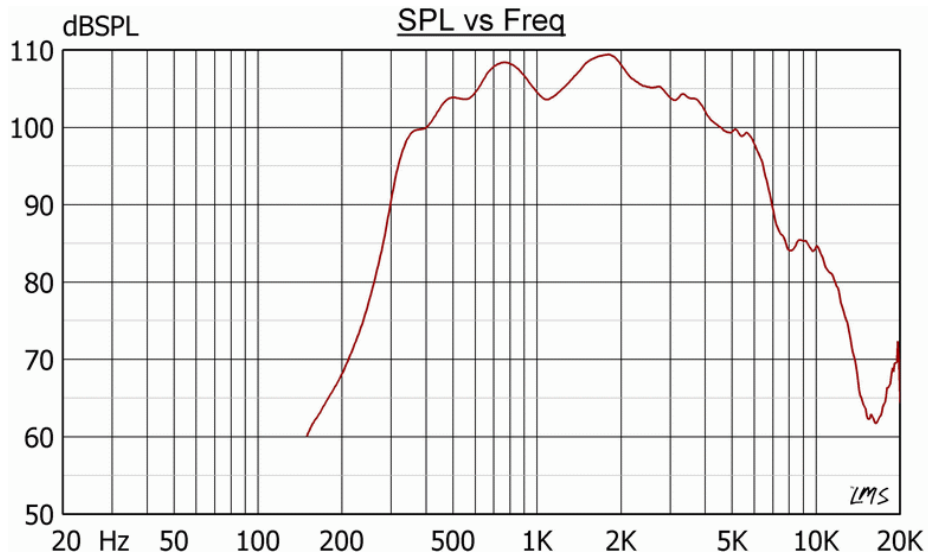
### Electrical data

• Rated power	30 W
• Transformer	100 V: 30 W / 20 W / 15 W / 7.5 W / 3.5 W / 2 W
• Sound pressure level 1 W, 1 m	110 dB +/- 3dB
• Sound pressure level 30 W, 1 m	124 dB +/- 3dB
• Effective frequency range	310 Hz to 8000 Hz
• Dispersion angle -6 dB	1 kHz / 4 kHz, 115° / 30°

### Environmental requirements and standards

• Ambient temperature during operation	-50 °C to +150 °C
• Humidity	Max. 95 %

### Frequency diagram



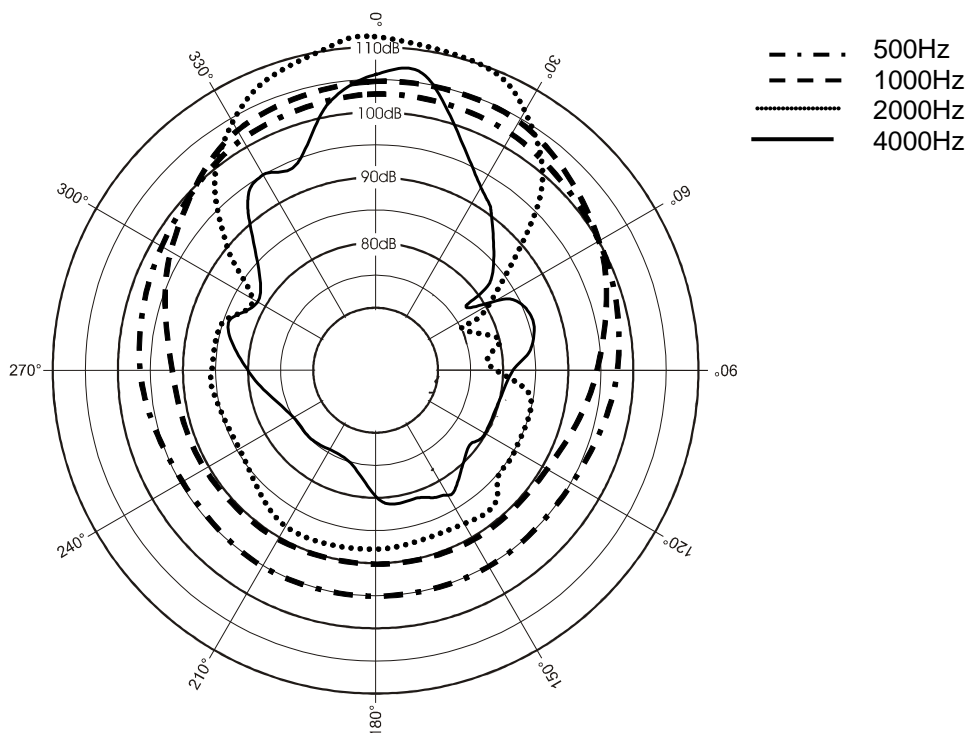
### Measurement conditions:

SPL: 1W / 1m, Pink noise: 1/3 octave filter

### Output level related to distance

P <sub>max</sub> :	Level (dB)	(-6dB)	(-14dB)	(-20dB)	(-23dB)	(-26dB)	(-28dB)	(-29dB)	(-36dB)
	30 W	at							
	1 m	2 m	5 m	10 m	15 m	20 m	25 m	30 m	65 m
	124	118	110	104	101	98	96	95	88

### Polar diagram



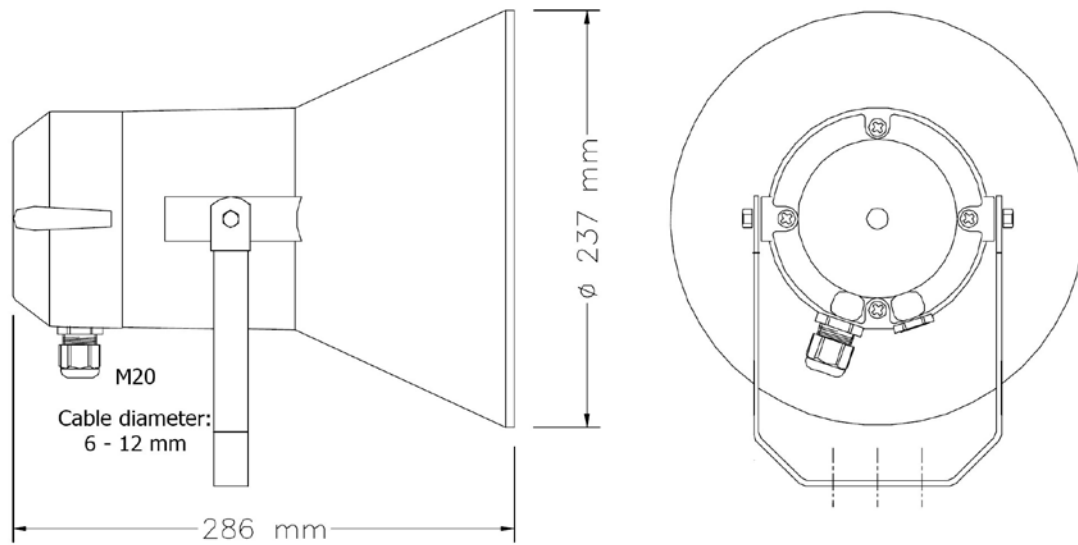


Figure 1: Dimensional Drawing KL 30 UE

**INDUSTRONIC®**

Industrie-Electronic GmbH & Co. KG  
 Carl-Jacob-Kolb-Weg 1  
 97877 Wertheim / Germany

Tel.: +49 9342 871-0  
 Fax: +49 9342 871-565

info@industronic.de  
 www.industronic.com