

# DSP 15 25W EExmNT (IIC)

## Explosion-proof Horn Speaker



### Features and Functions

- Explosion-proof for Zone 1, 2, 21 & 22
- Robust industrial technology
- Sturdy design
- Stainless steel bracket
- Degree of protection IP67
- Light weight

The explosion-proof horn loudspeakers of the DSP 15 25W EExmNT (IIC) series are used together with the INDUSTRONIC communication and public address system. They are especially designed for use in hazardous and noisy areas. The connection cable is inserted via an Ex e cable gland. The power adjustment is carried out via different tapplings on the primary side of the 100 V transformer.

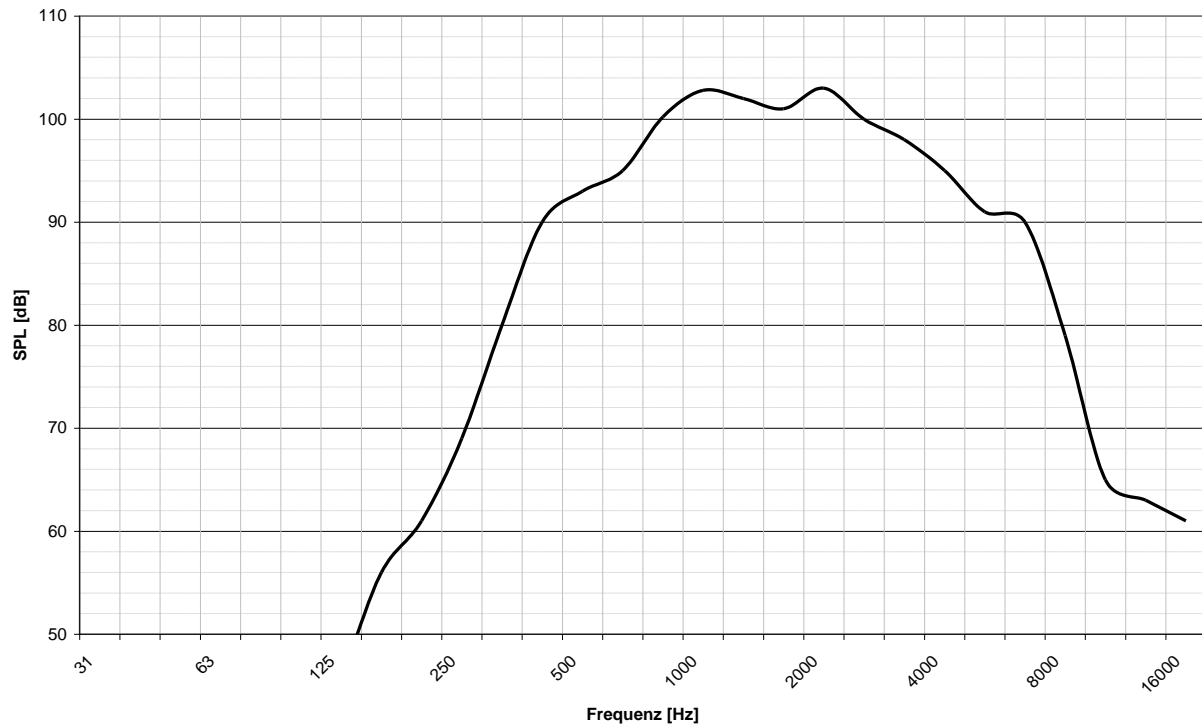
### Mechanical Data

• Housing	Anti-static plastic
• Dimensions width x height x length	186 mm x 144 mm x 207 mm (7.3" x 5.7" x 8.2")
• Cable entries	2 x M20 x 1.5
• Cable gland	1 x M20
• Connection	Terminals
• Weight	Approx. 2.2 kg (5 lbs)
• Color	Black
• Mounting	Stainless steel bracket

### Electrical Data

• Nominal load	25 W
• Transformer	100 V: 25 W / 15 W / 6.5 W / 5 W 2.5 W / 1.5 W
• Sound pressure level 1 W, 1 m	102 dB +/- 3 dB
• Sound pressure level 25 W, 1 m	115 dB +/- 3 dB
• Frequency range	450 Hz to 6000 Hz
• Dispersion -6 dB	1 kHz / 4 kHz: 105° / 35°

## Frequency Diagram



## Measurement Conditions

Sound pressure level (SPL): 1 W / 1 m

Pink noise: 1/3 octave filter

## Output Level Related to Distance

P <sub>max</sub> :	Level (dB) at	(-6 dB)	(-14 dB)	(-20 dB)	(-23 dB)	(-26 dB)	(-28 dB)	(-29 dB)	(-36 dB)	
	25 W	1 m (3.3 ft)	2 m (6.6 ft)	5 m (16.4 ft)	10 m (32.8 ft)	15 m (49.2 ft)	20 m (65.6 ft)	25 m (82 ft)	30 m (98.4 ft)	65 m (213.3 ft)
		115	109	101	95	92	89	87	86	79

## Polar Diagram

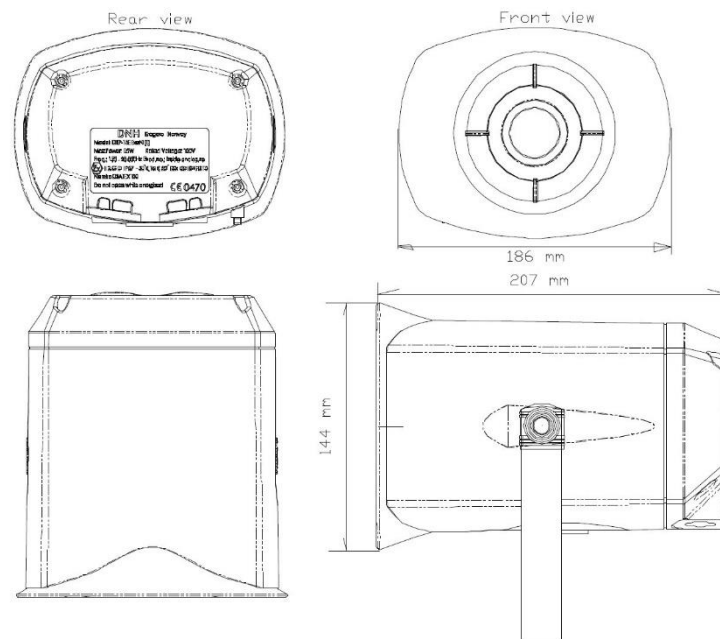
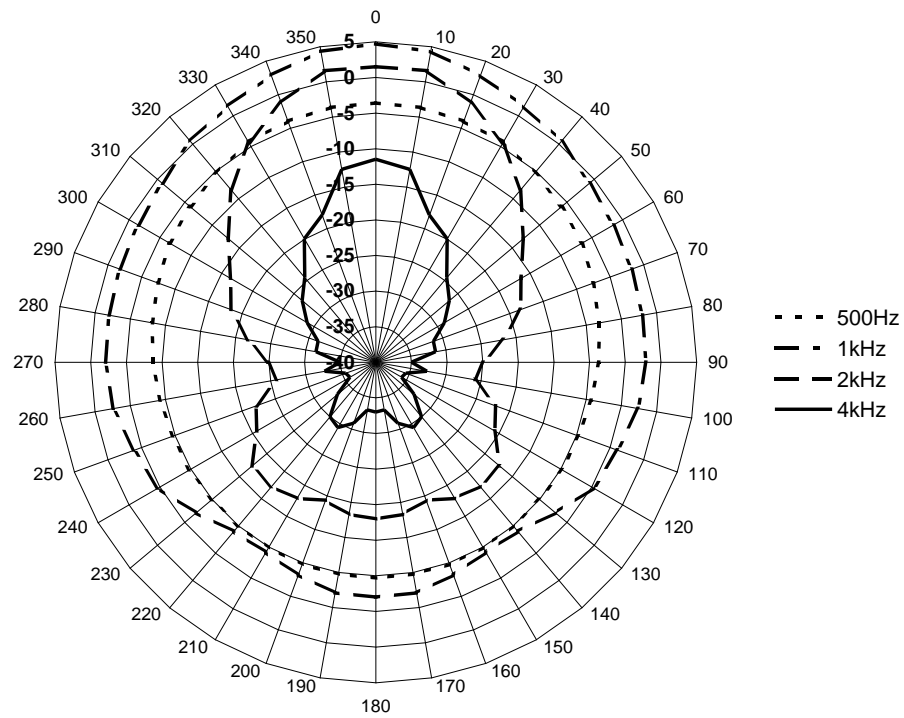


Figure 1: Dimensional Drawing DSP 15 25W EExmNT (IIC)

---

**Environmental Requirements and Standards**

• Ambient temperature during operation	-50°C to +60°C (-58 °F to +140 °F)
• Relative humidity (non-condensing)	Max. 95 %
• Degree of Protection	IP67
• Approval	ATEX, GOST, CQST, IECEx, INMETRO
• Markings	Ex II 2G Ex d e mb IIC T4 Gb Ex II 2D Ex tb IIIC T105°

---

**Order Data**
**Type Number**


---

 001-225-048
 

---

**INDUSTRONIC®**

 Industrie-Electronic GmbH & Co. KG  
 Carl-Jacob-Kolb-Weg 1  
 97877 Wertheim / Germany

 Tel.: +49 9342 871-0  
 Fax: +49 9342 871-565

[info@industronic.de](mailto:info@industronic.de)  
[www.industronic.com](http://www.industronic.com)

Subject to technical modifications