

DSP 15 25W EExmNT (IIB+H2)

Explosion-proof Horn Speaker



Features and Functions

- Explosion-proof for Zone 1, 2, 21 & 22
- Robust industrial technology
- Sturdy design
- Stainless steel bracket
- Degree of protection IP67
- Light weight

The explosion-proof horn speakers of the DSP 15 25W EExmNT (IIB+H2) series are used together with the INDUSTRONIC communication and public address system. They are ideal for use in potentially explosive environments with high ambient noise levels. The connection cable is inserted via cable gland. The power is adjusted on the primary side of the 100 V transformer.

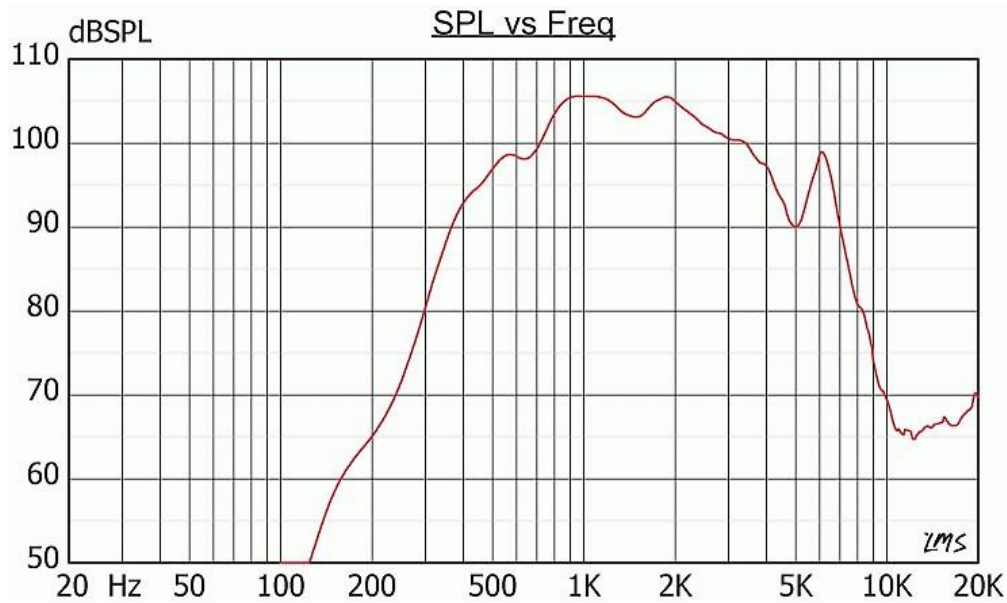
Mechanical Data

• Housing	Anti-static plastic
• Dimensions (width x height x depth)	186 mm x 144 mm x 207 mm (7.3" x 5.7" x 8.2")
• Cable gland hole	2 x M20 x 1.5
• Cable gland	1 x M20
• Connection	Terminals
• Weight	Approx. 2.2 kg (approx. 4.9 lbs)
• Color	Black
• Mounting	Stainless steel bracket

Electrical Data

• Rated power	25 W
• Transformer tapplings	100 V: 25 W / 15 W / 6,5 W 5 W / 2.5 W / 1.5 W
• Sound pressure level 1 W, 1 m	105 dB +/-3 dB
• Sound pressure level 25 W, 1 m	118 dB +/-3 dB
• Effective frequency range	380 Hz to 7000 Hz
• Dispersion angle -6 dB	1 kHz: 200° / 4 kHz: 50°

Frequency Diagram



Measurement Conditions

Sound pressure level (SPL): 1 W / 1 m

Pink noise: 1/3 octave filter

Output Level Related to Distance

P _{max} :	Level (dB) at	(-6 dB)	(-14 dB)	(-20 dB)	(-23 dB)	(-26 dB)	(-28 dB)	(-29 dB)	(-36 dB)
	25 W	1 m (3.3 ft)	2 m (6.6 ft)	5 m (16.4 ft)	10 m (32.8 ft)	15 m (49.2 ft)	20 m (65.6 ft)	25 m (82 ft)	30 m (98.4 ft)
		118	112	104	98	95	92	90	89

Polar Diagram

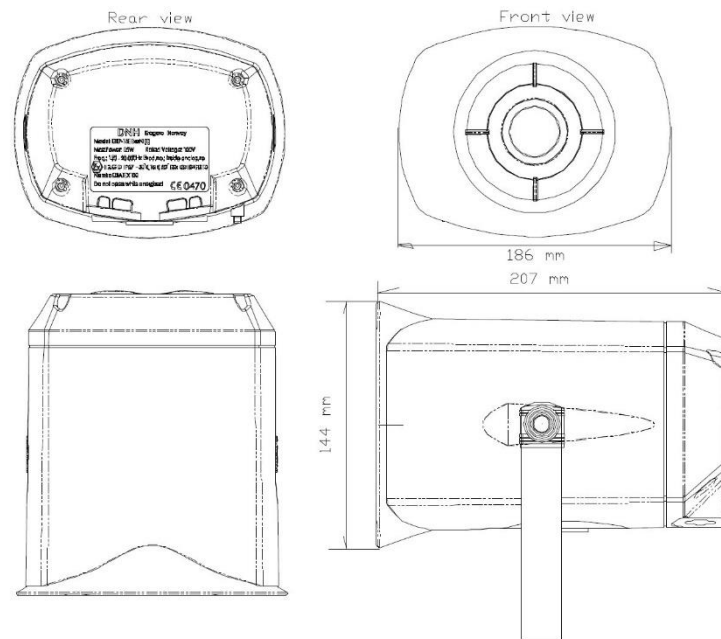
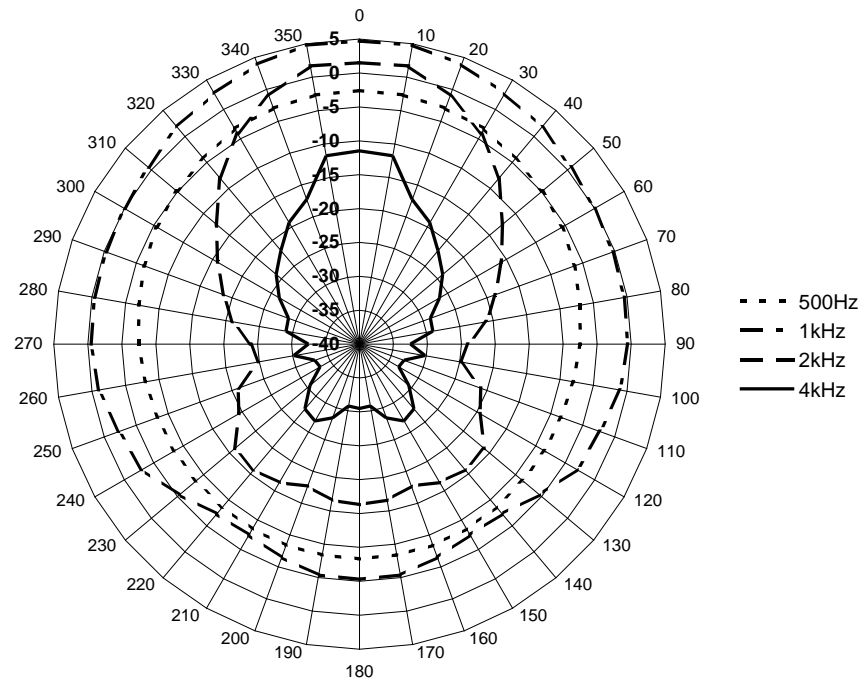


Figure 1: Dimensional drawing DSP 15 25W EExmNT (IIB+H2)

Environmental Requirements and Standards		
• Ambient temperature during operation		-50°C to +60°C (-58 °F to +140 °F)
• Relative humidity (non-condensing)		Max. 95 %
• Degree of protection		IP67
• Approval		ATEX, GOST, CQST, IECEx, INMETRO
• Markings		Ex II 2G Ex d e mb IIB+H2 T4 Gb Ex II 2D Ex tb IIIC T105°

Order Data	Type Number
	001-225-046

INDUSTRONIC®
 Industrie-Electronic GmbH & Co. KG
 Carl-Jacob-Kolb-Weg 1
 97877 Wertheim / Germany

Tel: +49 9342 871-0
 Fax: +49 9342 871-565

info@industronic.de
 www.industronic.com