

BExL25D

Explosion-proof Horn Speaker



Features and Functions

- For use in Ex zone 1 and 2
- Robust industrial technology
- Sturdy design
- Stainless steel bracket
- Degree of protection IP67
- ATEX, IECEx and PESO certification
- Internal and external ground terminal

The explosion-proof horn speakers of the BExL25D series are used together with the INDUSTRONIC communication and public address system. They are ideal for use in hazardous and noisy areas.

The bipolar connection cable is inserted via an Ex d cable gland. The power is adjusted on the primary side of the 100 V transformer via different tapings.

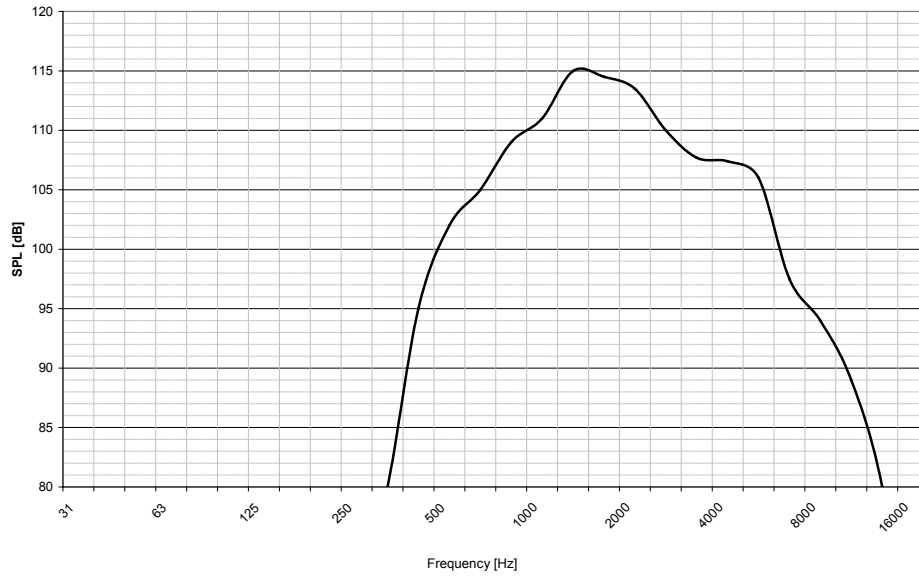
Mechanical Data

• Housing	LM6 Aluminum
• Horn	ABS
• Diameter x length	Ø 220 mm x 313 mm (8.7" x 12.3")
• Cable entries	2 x M20 x 1.5
• Connection	Screw terminals
• Weight	Approx. 4 kg (approx. 8.8 lbs)
• Color	Red (RAL 3000)
• Mounting	Stainless steel bracket

Electrical Data

• Rated power	25 W
• Transformer tapings	100 V: 25 W / 12.5 W / 6 W / 2 W
• Sound pressure level 1 W, 1 m	105 dB +/-3 dB
• Sound pressure level 25 W, 1 m	119 dB +/-3 dB
• Effective frequency range	300 Hz to 8000 Hz
• Dispersion angle -6 dB	1 kHz: 130° / 4 kHz: 32°

Frequency Diagram



Measurement Conditions

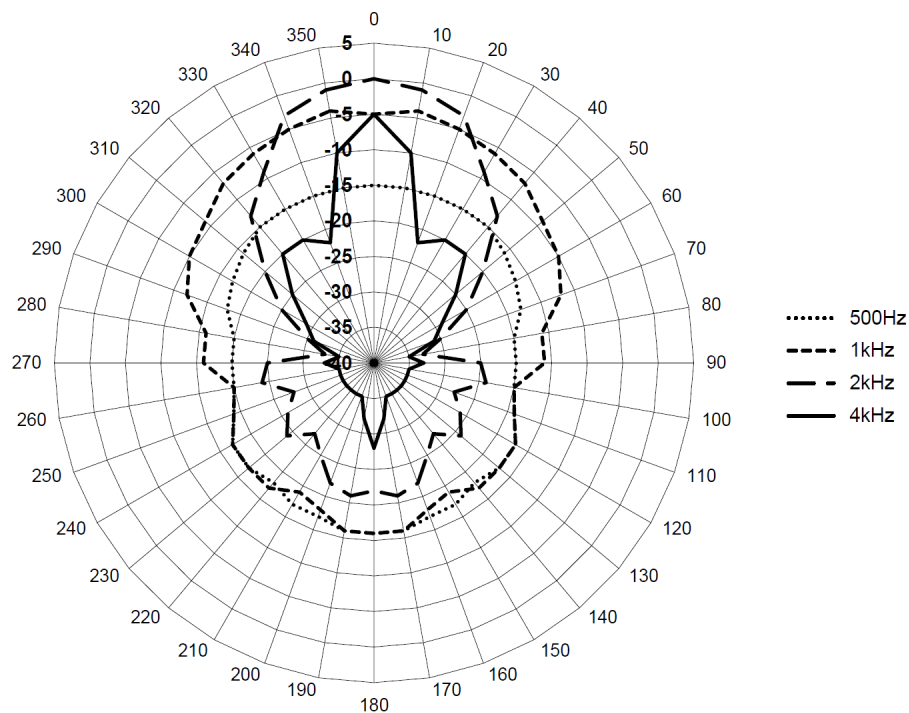
Sound pressure level (SPL): 1 W / 1 m

Pink noise: 1/3 octave filter

Output Level Related to Distance

P _{max} : 25 W	Level (dB) at	(-6 dB)	(-14 dB)	(-20 dB)	(-23 dB)	(-26 dB)	(-28 dB)	(-29 dB)	(-36 dB)	
		1 m (3.3 ft)	2 m (6.6 ft)	5 m (16.4 ft)	10 m (32.8 ft)	15 m (49.2 ft)	20 m (65.6 ft)	25 m (82 ft)	30 m (98.4 ft)	65 m (213.3 ft)
		119	113	105	99	96	93	91	90	83

Polar Diagram



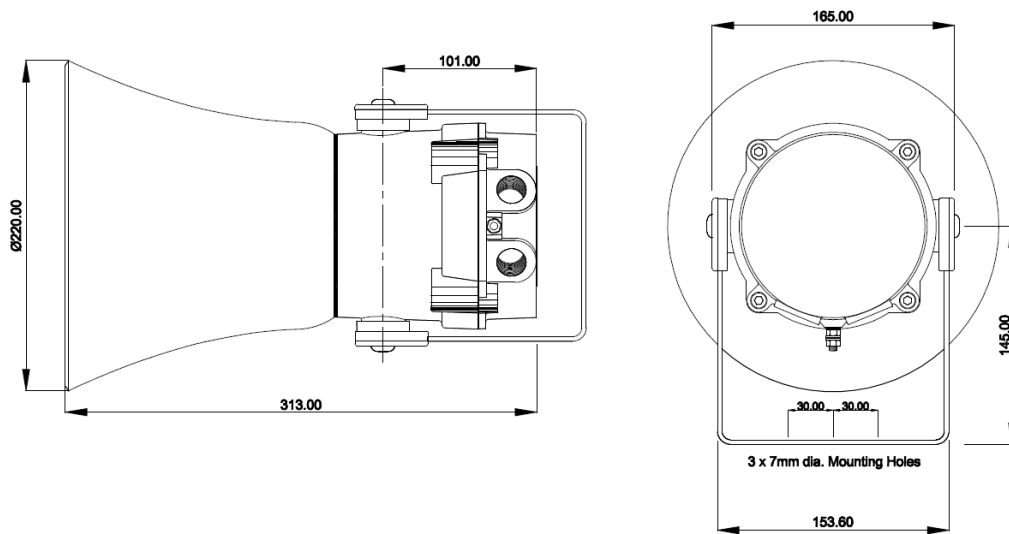


Figure 1: Dimensional drawing BExL25D

Environmental Requirements and Standards

• Humidity	Max. 95 %
• Degree of protection	IP67
• Ex certifications	Ex II 2G, Ex d IIB T4 for -50°C to +70°C (-58 °F to +158 °F) Ex II 2G, Ex d IIC T4 for -50°C to +55°C (-58 °F to +131 °F)
• Certifications	ATEX, IECEX, PESO

Order Data

Type Number

001-225-042

INDUSTRONIC®

Industrie-Electronic GmbH & Co. KG
Carl-Jacob-Kolb-Weg 1
97877 Wertheim / Germany

Phone: +49 9342 871-0
Fax: +49 9342 871-565

info@industronic.de
www.industronic.com

Subject to technical modifications