

DSP 15 25W EExmNLT (IIB+H2)

Explosion-proof Horn Speaker



Main features

- Explosion-proof for Zone 1, 2, 21 & 22
- Robust industrial technology
- Sturdy and resistant design
- Stainless steel bracket
- Ingress protection IP67

The explosion-proof horn speakers of the DSP 15 25W EExmNLT (IIB+H2) series are used together with the INDUSTRONIC communication and public address system. They are especially designed for use in hazardous and noisy areas. The connection cable is inserted via an Ex e cable gland. The power adjustment is carried out via different tapings on the primary side of the 100V transformer.

Mechanical Data

• Housing	Special anti-static plastic
• Dimensions (length x width)	342 mm x 170 mm (13 1/2" x 6 3/4")
• Horn dimensions	272 mm x 197 mm (10 3/4" x 7 3/4")
• Cable entries	2 x M20 x 1.5
• Cable gland	1 x M20 x 1.5
• Connection	Terminals
• Weight	2.3 kg (5 lb)
• Color	Black
• Mounting	Stainless steel bracket

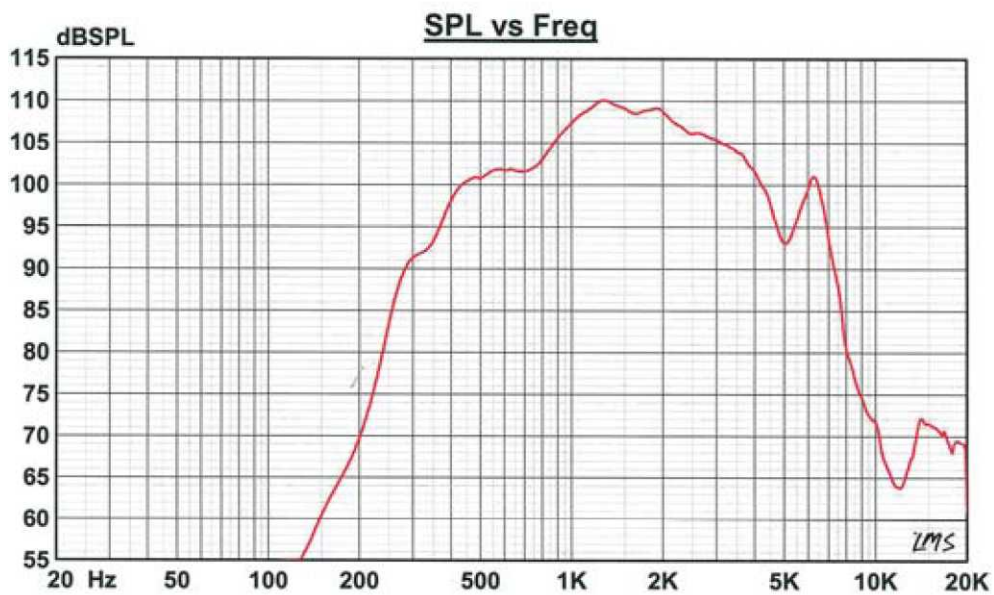
Electrical Data

• Rated power	25 W
• Transformer tapings	100 V: 25 W / 15 W / 6,5 W / 5 W / 2,5 W / 1,5 W
• Sound pressure level 1 W, 1 m	109 dB +/- 3dB
• Sound pressure level 25 W, 1 m	121 dB +/- 3dB
• Effective frequency range	330 Hz to 7000 Hz
• Dispersion angle (-6 dB)	1 kHz: 200° 4 kHz: 50°

Environmental requirements and standards

• Ambient temperature during operation	-50°C bis +50°C (-58 °F to 122 °F)
• Humidity	Max. 95 %
• Ingress Protection	IP67
• Approval	ATEX, GOST, CQST, IECEX, INMETRO
• Markings	Ex II 2G Ex d e mb IIB+H2 T4 Gb Ex II 2D Ex tb IIIC T105°

Frequency diagram



Measurement conditions

Sound pressure level (SPL): 1 W / 1m

Pink noise: 1/3 octave filter

Output level related to distance:

P _{max} : 25 W	Level (dB) at	(-6dB)	(-14dB)	(-20dB)	(-23dB)	(-26dB)	(-28dB)	(-29dB)	(-36dB)	
		1 m	2 m	5 m	10 m	15 m	20 m	25 m	30 m	65m
		121	115	107	101	98	95	93	92	85

Polar diagram

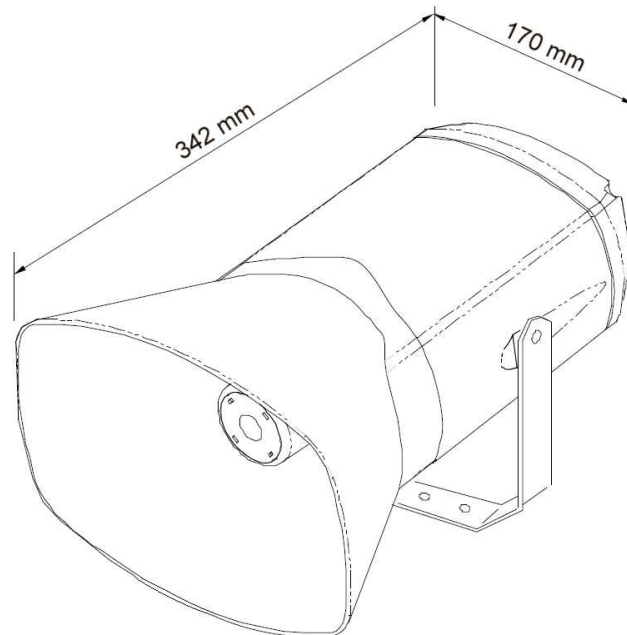
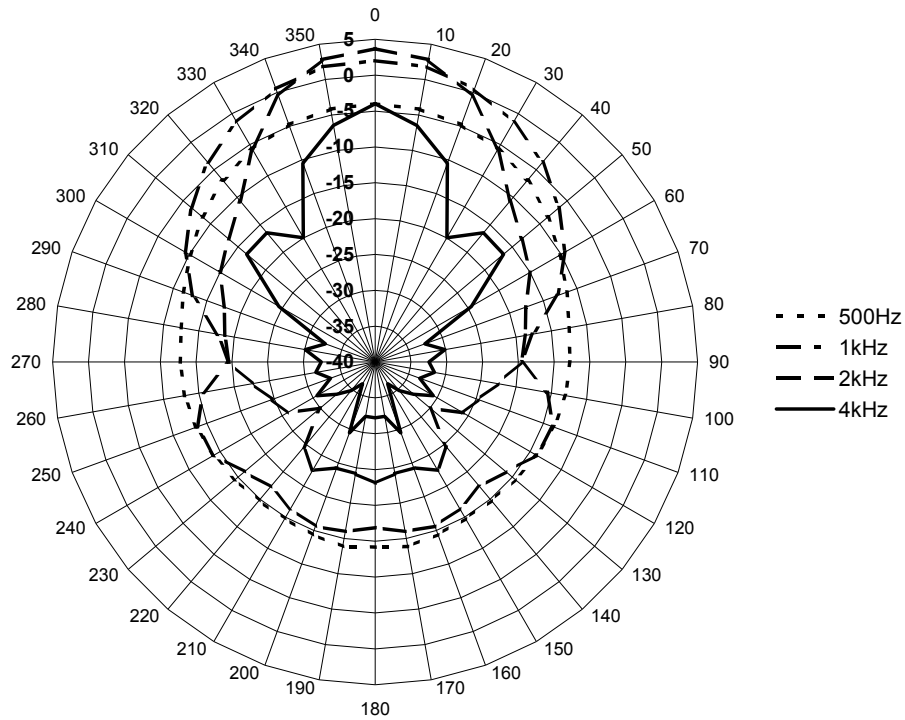


Figure 1: Dimensional drawing DSP 15 25W EExmNLT (IIB+H2)

INDUSTRONIC®

Industrie-Electronic GmbH & Co. KG
 Carl-Jacob-Kolb-Weg 1
 97877 Wertheim / Germany

Tel.: +49 9342 871-0
 Fax: +49 9342 871-565

info@industronic.de
 www.industronic.com