

KL 25 UE

Weatherproof Horn Speaker



Main features

- Robust industrial technology
- Sturdy and robust design
- Ingress protection IP67

The compact weatherproof horn speakers of the KL 25 UE series are used together with the INDUSTRONIC communication and public address system. They are ideal for harsh and challenging environments as well as extreme temperatures. The M20 cable gland protects against the ingress of dust and water.

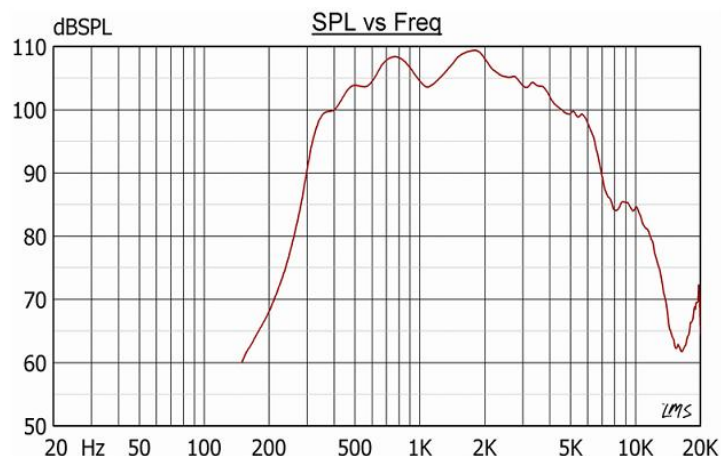
Mechanical data

• Housing	Plastic
• Dimensions (diameter / depth)	Ø 237 mm x 286 mm (9 ¼" x 11 ¼")
• Cable entries	2 x M20 x 1.5
• Cable gland	1 x M20 x 1.5
• Connection	Screw terminals
• Ingress protection	IP67
• Weight	2.3 kg (5 lb)
• Color	Grey, RAL 7035
• Mounting	Stainless steel bracket

Electrical data

• Rated power	25 W
• Transformer tapplings	100 V: 25 W/ 12.5 W/ 8 W/ 7 W/ 3 W/ 1.7 W
• Sound pressure level 1 W, 1 m	110 dB +/- 3dB
• Sound pressure level 25 W, 1 m	123 dB +/- 3dB
• Effective frequency range	310 Hz to 8000 Hz
• Dispersion angle -6 dB	1 kHz: 115°, 4 kHz: 30°
• Ambient temperature during operation	- 50 °C to + 150 °C (-58 °F to 302 °F)

Frequency diagram



Measurement conditions

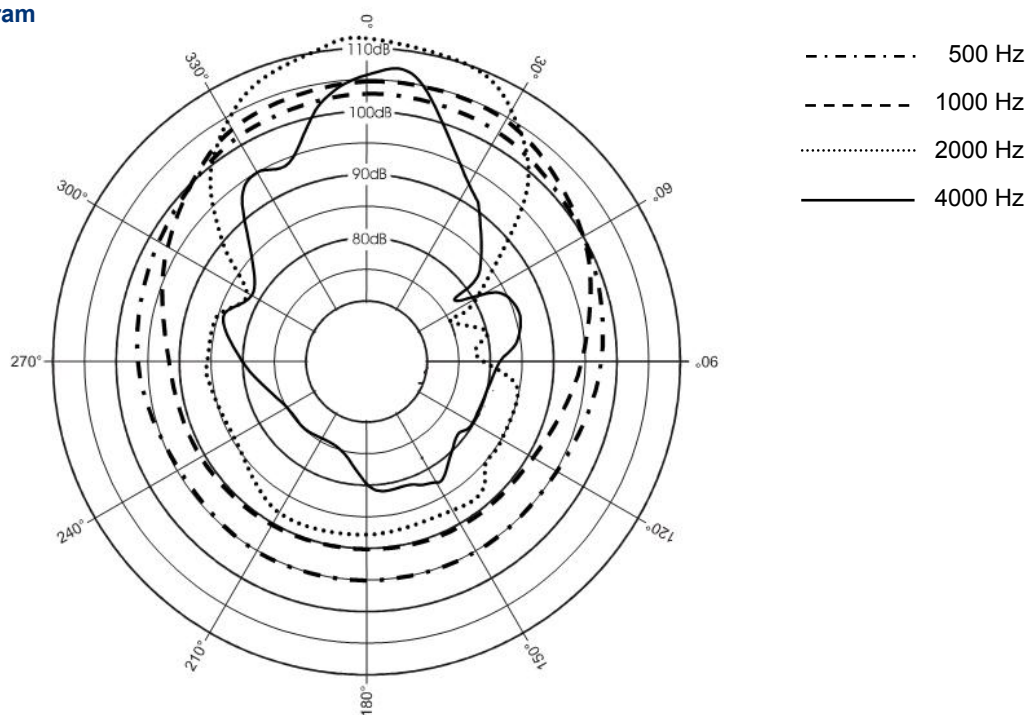
Sound pressure level (SPL): 1 W / 1 m

Pink noise: 1/3 octave filter

Output level related to distance

P _{max} : 25 W	Level (dB) at	(-6dB)	(-14dB)	(-20dB)	(-23dB)	(-26dB)	(-28dB)	(-29dB)	(-36dB)
	1 m	2 m	5 m	10 m	15 m	20 m	25 m	30 m	65 m
	123	117	109	103	100	97	95	94	87

Polar diagram



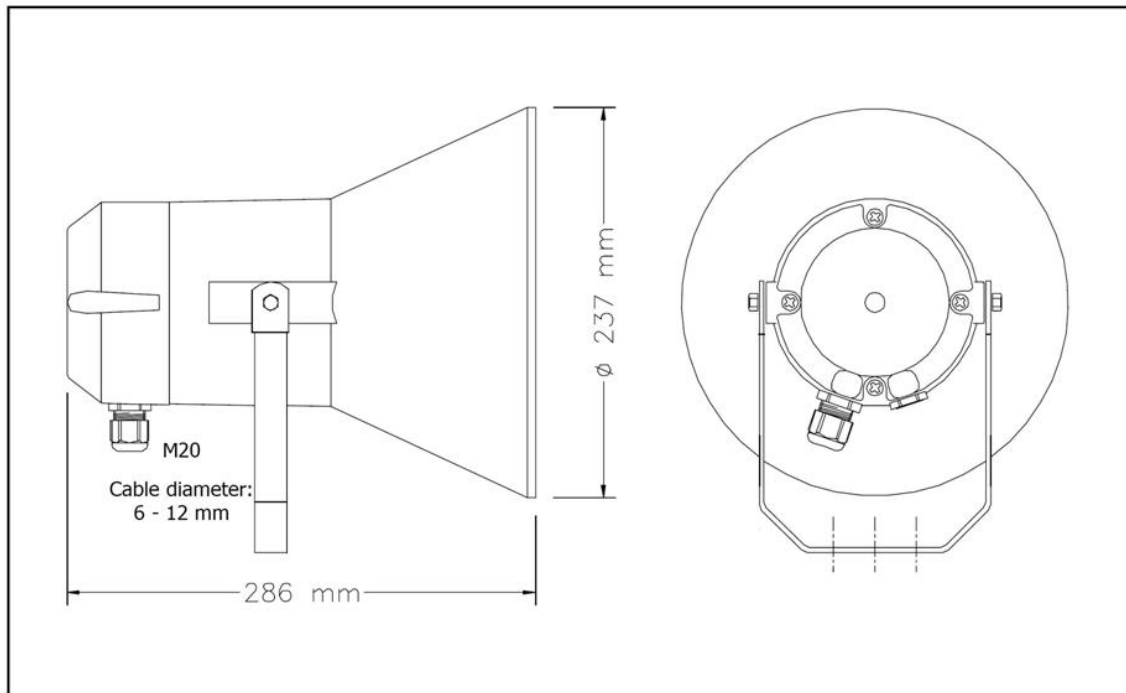


Figure 1: Dimensional drawing KL 25 UE

INDUSTRONIC®

Industrie-Electronic GmbH & Co. KG
 Carl-Jacob-Kolb-Weg 1
 97877 Wertheim / Germany

Tel.: +49 9342 871-0
 Fax: +49 9342 871-565

info@industronic.de
 www.industronic.com