

HP-20 EExIINT - ATEX

Weather-proof Horn Speaker



Features and Functions

- For use in Ex zone 2 and 22
- Robust industrial technology
- Sturdy design
- Degree of protection IP67
- ATEX certification
- Stainless steel mounting bracket

The compact weather-proof horn speakers of the HP-20 EExIINT series are used together with the INDUSTRONIC communication and public address system. The M20 cable gland protects the speaker against the ingress of dust and water.

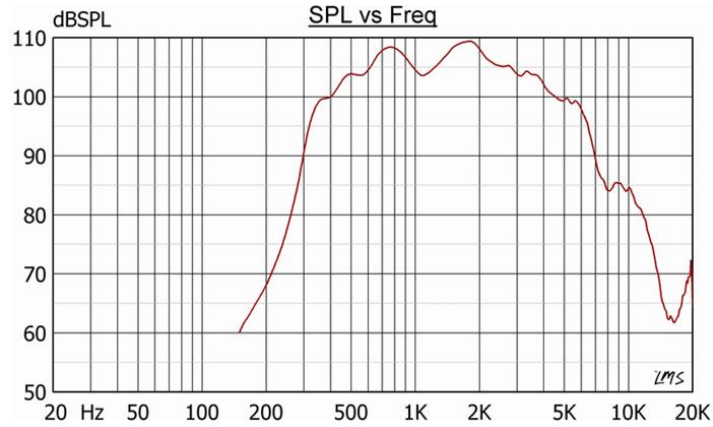
Mechanical Data

• Housing	Anti-static polyamid
• Dimensions (diameter / length)	Ø 237 mm / 286 mm (9.3" / 11.3")
• Cable entries	2 x M20 x 1.5
• Cable gland	1 x M20 x 1.5
• Weight	2.3 kg (5.1 lbs)
• Color	Black
• Mounting	Stainless steel mounting bracket

Electrical Data

• Rated power	20 W
• Transformer tapings	100 V: 20 W / 10 W / 5 W / 4 W / 2 W / 1 W
• Sound pressure level 1 W, 1 m	110 dB +/-3 dB
• Sound pressure level 20 W, 1 m	122 dB +/-3 dB
• Effective frequency range	310 Hz to 8,000 Hz
• Dispersion angle -6 dB	1 kHz: 115°; 4 kHz: 25°

Frequency Diagram



Measurement Conditions

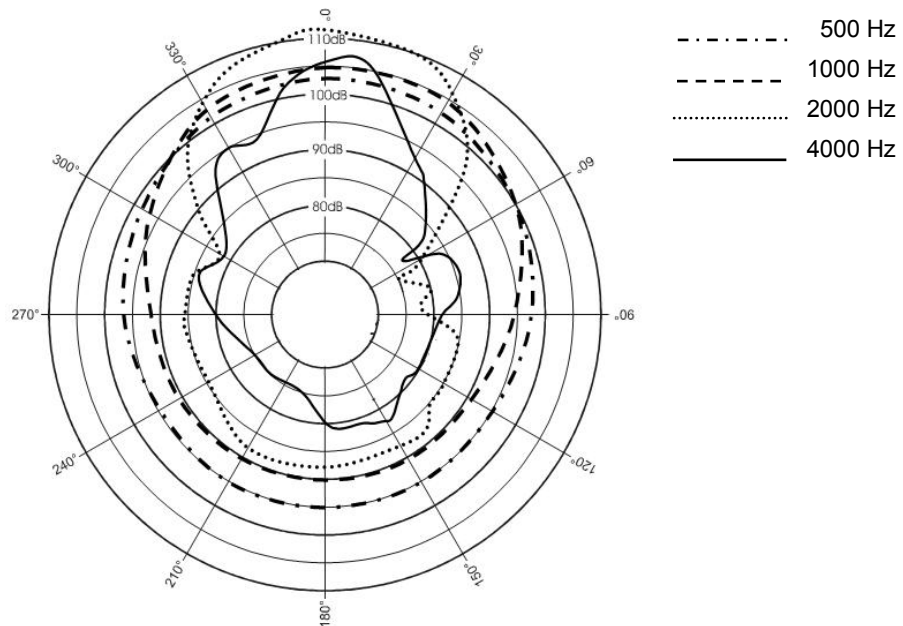
Sound pressure level (SPL): 1 W / 1 m

Pink noise: 1/3 octave filter

Output Level Related to Distance

P _{max} : 20 W	Level (dB) at	(-6 dB)	(-14 dB)	(-20 dB)	(-23 dB)	(-26 dB)	(-28 dB)	(-29 dB)	(-36 dB)	
		1 m (3.3 ft)	2 m (6.6 ft)	5 m (16.4 ft)	10 m (32.8 ft)	15 m (49.2 ft)	20 m (65.6 ft)	25 m (82 ft)	30 m (98.4 ft)	65 m (213.3 ft)
		122	116	108	102	99	96	94	93	86

Polar Diagram



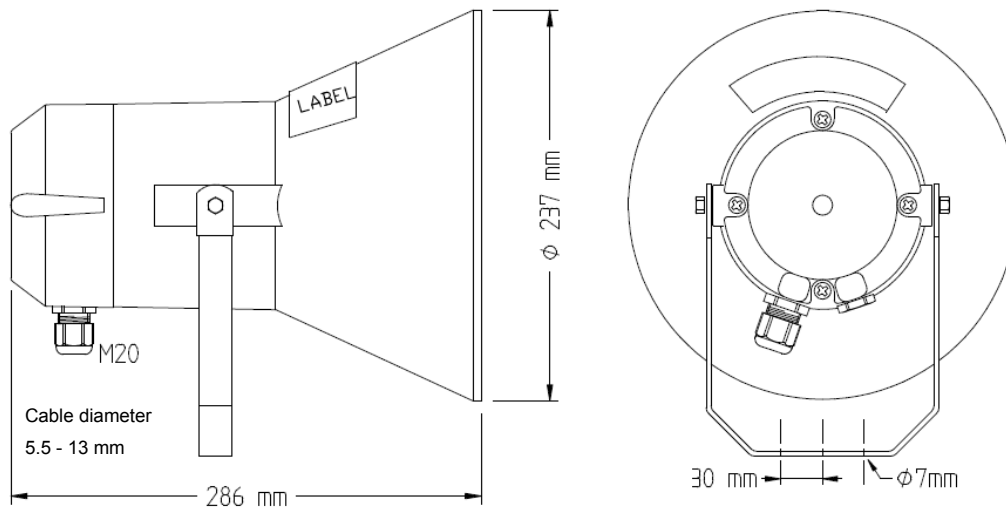


Figure 1: Dimensional drawing HP-20 EExIINT - ATEX

Environmental Requirements and Standards

• Ambient temperature during operation	-50 °C to +50 °C (-58 °F to +122 °F)
• Humidity	Max. 95 %
• Degree of protection	IP67
• Ex certification	Ex II 3 GD T94 °C Ex nA II T3, -50 °C ≤ Ta ≤ +50 °C

Order Data

Type Number

001-220-010

INDUSTRONIC®

Industrie-Electronic GmbH & Co. KG
Carl-Jacob-Kolb-Weg 1
97877 Wertheim / Germany

Phone: +49 9342 871-0
Fax: +49 9342 871-565

info@industronic.de
www.industronic.com

Subject to technical modifications