

KL 20/2 Ü

Weatherproof Horn Speaker



Main features

- Robust industrial technology
- Sturdy and robust design
- Ingress protection IP 67
- Ideal for use in outdoor areas

The compact weatherproof horn speakers of the KL 20/2 Ü series are used together with the INDUSTRONIC communication and public address system. They are ideal for harsh and challenging environments and extreme temperatures. The M20 cable gland protects against the ingress of dust and water.

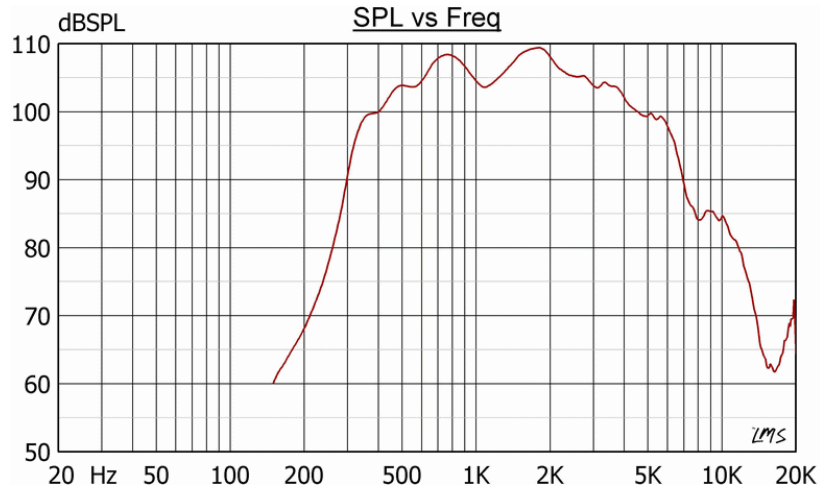
Mechanical data

• Housing	Plastic
• Dimensions (diameter / depth)	Ø 237 mm / 286 mm (9 1/4" / 11 1/4")
• Cable entries	2 x M 20 x 1,5
• Cable gland	1 x M 20 x 1.5
• Ingress protection	IP 67
• Weight	ca. 2.5 kg (5 lb)
• Color	Grey RAL 7035
• Mounting	Stainless steel bracket

Electrical data

• Rated power	20 W
• Transformer tapplings	100 V : 20 W/ 15 W/ 7,5 W/ 3,5 W/ 2 W
• Sound pressure level 1 W, 1 m	110 dB +/- 3 dB
• Sound pressure level 20 W, 1 m	122 dB +/- 3 dB
• Effective frequency range	310 Hz to 8000 Hz
• Dispersion angle -6 dB	1 kHz: 115°, 4 kHz: 30°
• Operating temperature	-50 °C to +150 °C (-58 °F to 302 °F)

Frequency diagram



Measurement conditions

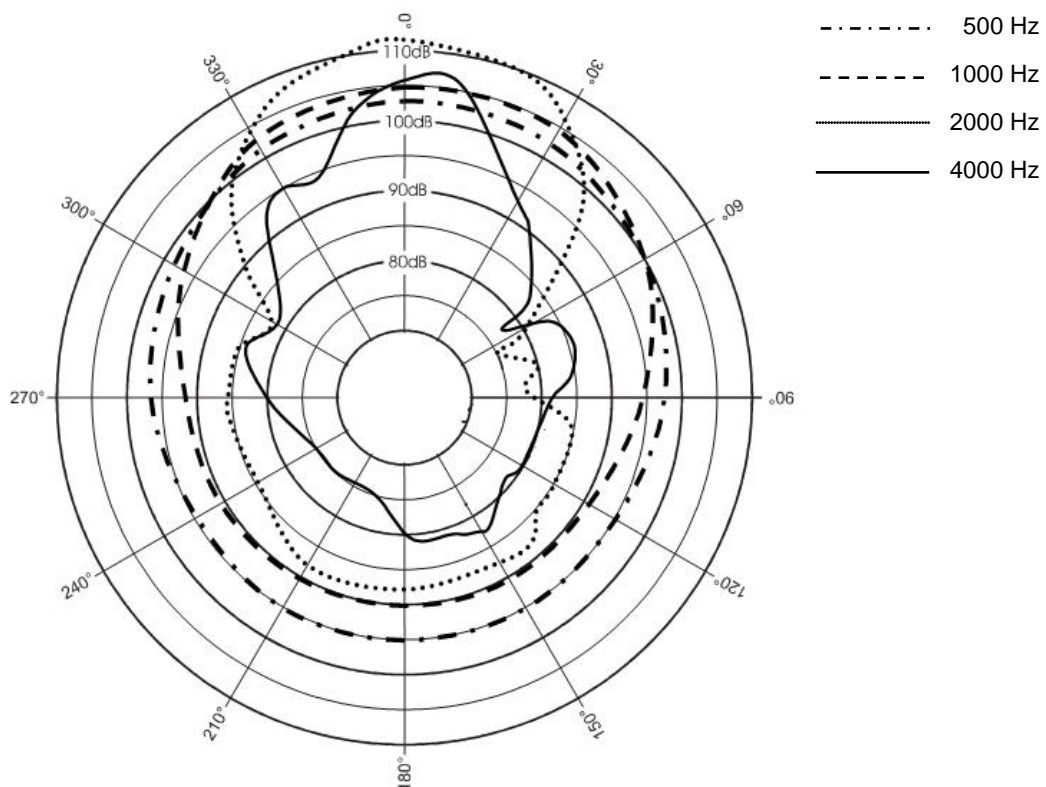
Sound pressure level (SPL): 1 W / 1 m

Pink noise: 1/3 octave filter

Output level related to distance

P _{max} :	Level (dB) at	(-6dB)	(-14dB)	(-20dB)	(-23dB)	(-26dB)	(-28dB)	(-29dB)	(-36dB)	
	20 W	1 m	2 m	5 m	10 m	15 m	20 m	25 m	30 m	65 m
		122	116	108	102	99	96	94	93	86

Polar diagram



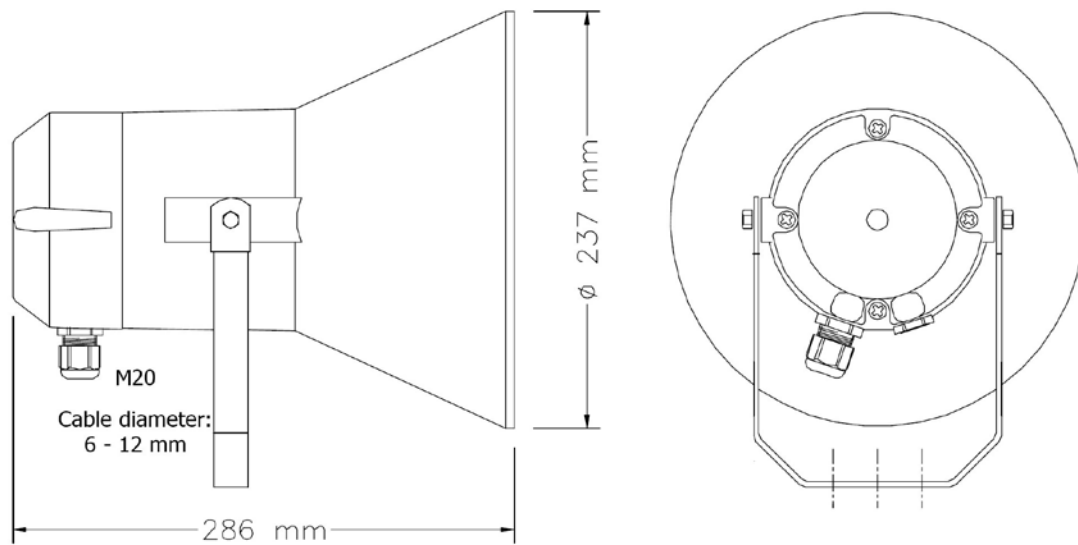


Figure 1: Dimensional drawing KL 20/2 Ü

INDUSTRONIC®

Industrie-Electronic GmbH & Co. KG
 Carl-Jacob-Kolb-Weg 1
 97877 Wertheim / Germany

Tel.: +49 9342 871-0
 Fax: +49 9342 871-565

info@industronic.de
 www.industronic.com