

# DSP 15 EExmNT (IIC)

## Explosion-proof Horn Speaker



### Features and Functions

- Explosion-proof for Zone 1, 2, 21 & 22
- Robust industrial technology
- Sturdy design
- Degree of protection IP67
- Light weight

The explosion-proof horn loudspeakers of the DSP 15 EExmNT (IIC) series are part of the INDUSTRONIC communication and public address system. They are especially designed for use in hazardous and noisy areas. Due to the light weight, the loudspeaker is suitable for use in offshore applications.

The bipolar connection cable is inserted via an Ex e cable gland. The power adjustment is carried out via different tapings on the primary side of the 100 V transformer.

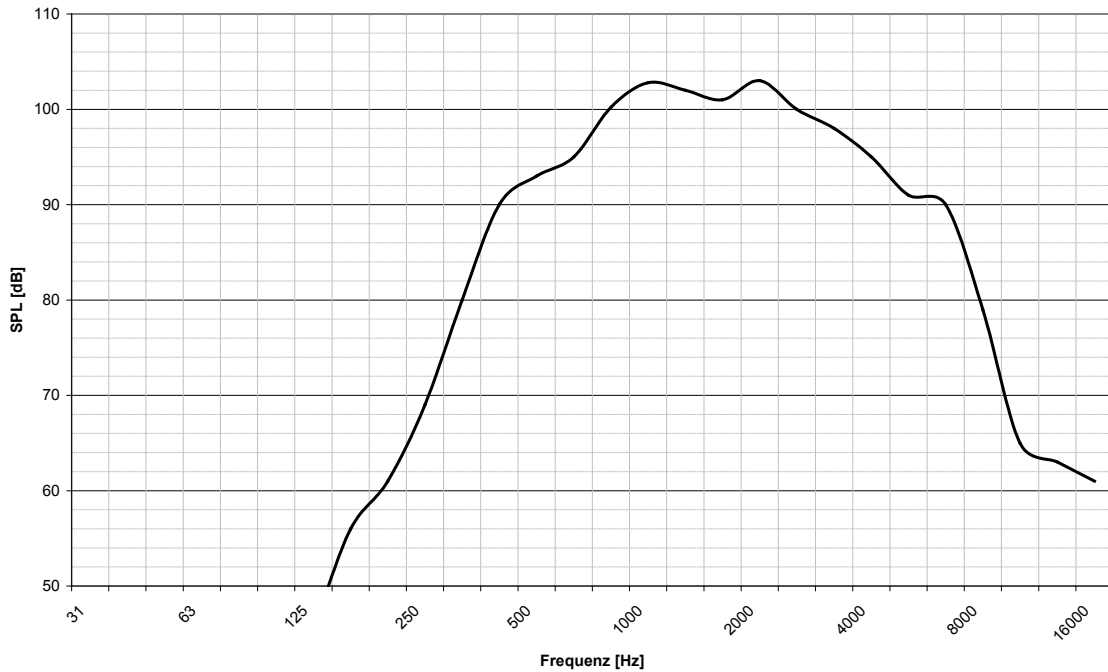
### Mechanical Data

• Housing	Anti-static plastic
• Dimensions Width x height x length	186 x 144 x 207 mm (7.3" x 5.7" x 8.2")
• Cable entry	2 x M20 x 1.5
• Cable gland	1 x M20
• Connection	Terminals
• Weight	Approx. 2.2 kg (4.85 lbs)
• Color	Black
• Mounting	Stainless steel bracket

### Electrical Data

• Rated power	15 W
• Transformer tapings	100 V; 15 W / 8 W / 4 W / 3 W / 1.5 W / 0.8 W
• Sound pressure level 1 W, 1m	102 dB +/- 3 dB
• Sound pressure level 15 W, 1m	113 dB +/- 3 dB
• Frequency range	450 Hz to 6000 Hz
• Dispersion angle -6 dB	1 kHz / 4 kHz: 105° / 35°

### Frequency Diagram



### Measurement Conditions

Sound pressure level (SPL): 1 W / 1 m

Pink noise: 1/3 octave filter

### Output Level Related to Distance

P <sub>max</sub> :	Level (dB) at	(-6 dB)	(-14 dB)	(-20 dB)	(-23 dB)	(-26 dB)	(-28 dB)	(-29 dB)	(-36 dB)
	15 W	1 m (3.3 ft)	2 m (6.6 ft)	5 m (16.4 ft)	10 m (32.8 ft)	15 m (49.2 ft)	20 m (65.6 ft)	25 m (82 ft)	30 m (98.4 ft)
		113	107	99	93	90	87	85	77

### Polar Diagram

#

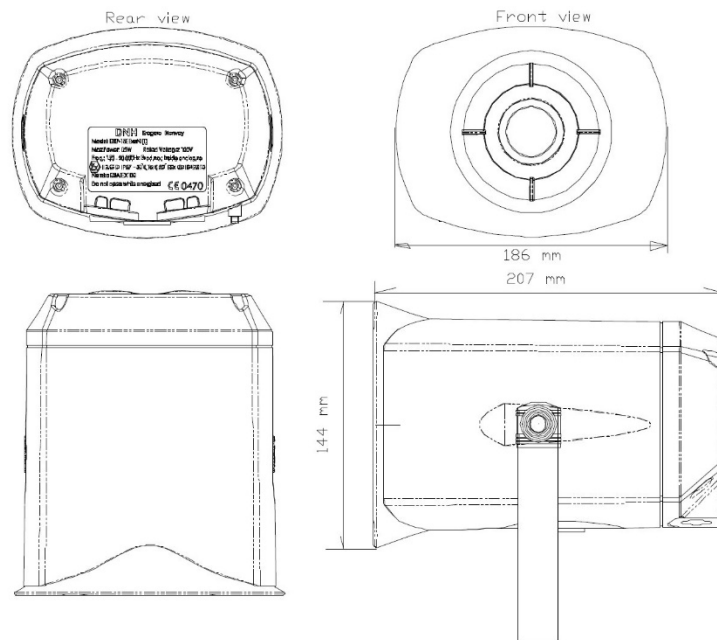
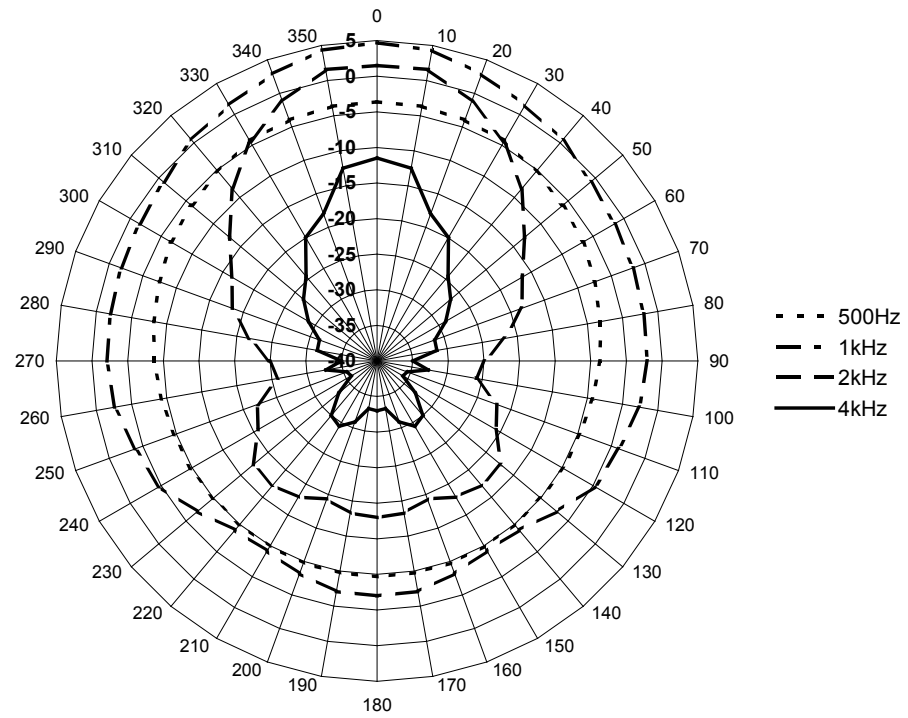


Figure 1: Dimensional drawing DSP 15 EExmNT (IIC)

---

**Environmental Requirements and Standards**

• Ambient temperature during operation	-50°C to +60°C (-58 °F to +140 °F)
• Realtive humidity (non-condensing)	Max. 95 %
• Degree of protection	IP67
• Approval	ATEX, GOST, CQST, IECEX, INMETRO
• Markings	Ex II 2G Ex d e mb IIC T4 Gb Ex II 2D Ex tb IIIC T105°

---

**Order Data**
**Type Number**


---

001-215-024

---

**INDUSTRONIC®**

Industrie-Electronic GmbH & Co. KG  
Carl-Jacob-Kolb-Weg 1  
97877 Wertheim / Germany

Tel.: +49 9342 871-0  
Fax: +49 9342 871-565

info@industronic.de  
www.industronic.com

Subject to technical modifications