

KL 15/2 UE

Weatherproof Horn Speaker



Features and Functions

- Robust industrial technology
- Sturdy design
- Lightweight
- Stainless steel bracket
- For indoor and outdoor

The compact weatherproof horn speakers of the KL 15/2 UE series are used together with the INDUSTRONIC communication and public address system. They are ideal for speech and alarm transmission in indoor and outdoor areas. They are mounted using the U bracket.

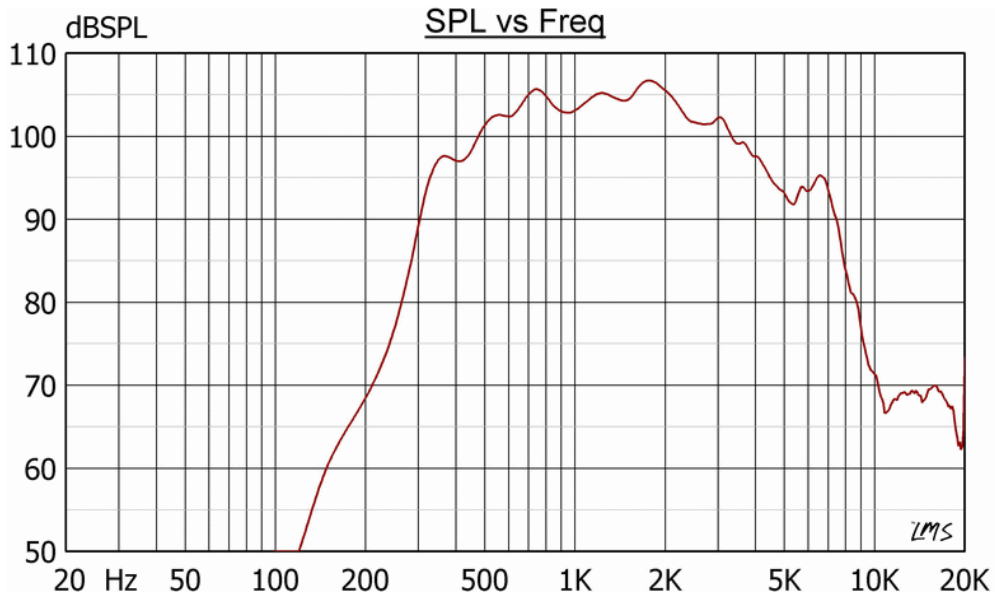
Mechanical Data

• Housing	Plastic
• Dimensions (Diameter / Depth)	Ø 200 mm / 248 mm (7,87" x 9,76")
• Cable entries	2 x M20 x 1,5
• Cable gland	1 x M20
• Weight	Approx. 1.8 kg (3,97 lbs)
• Color	Light-gray (RAL 7035)
• Mounting	Stainless steel bracket
• Connection	Screw terminal

Electrical Data

• Rated power	15 Watts
• Transformer	100 V: 15 W / 7,5 W / 4 W / 2 W
• Sound pressure level 1 W, 1 m	108 dB +/- 3 dB
• Sound pressure level 15 W, 1m	118 dB +/- 3 dB
• Effective frequency range	330 Hz to 8000 Hz
• Dispersion angle -6 dB	1 kHz: 130°; 4 kHz: 35°

Frequency Diagram



Measurement Conditions

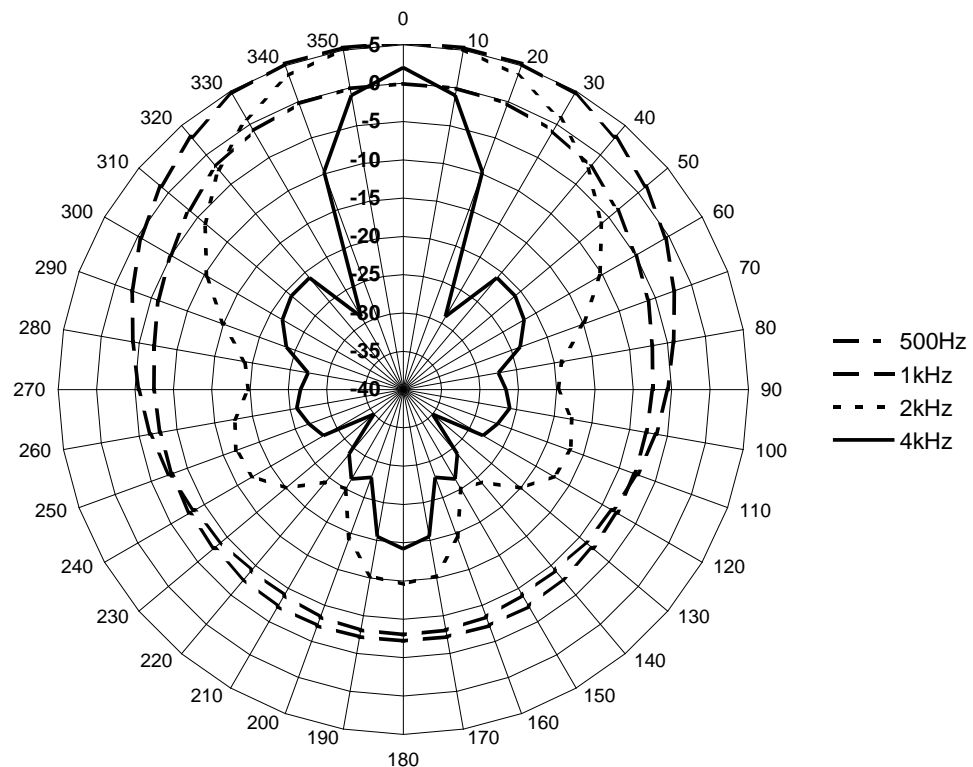
SPL: 1 W / 1 m

Pink noise: 1/3 octave filter

Output Level Related to Distance

P _{max} :	Level (dB) at	(-6 dB)	(-14 dB)	(-20 dB)	(-23 dB)	(-26 dB)	(-28 dB)	(-29 dB)	(-36 dB)	
	15 W	1 m (3 ft)	2 m (6 ft)	5 m (16 ft)	10 m (33 ft)	15 m (50 ft)	20 m (66 ft)	25 m (82 ft)	30 m (98 ft)	65 m (213 ft)
		118	112	104	98	95	92	90	89	82

Polar Diagram



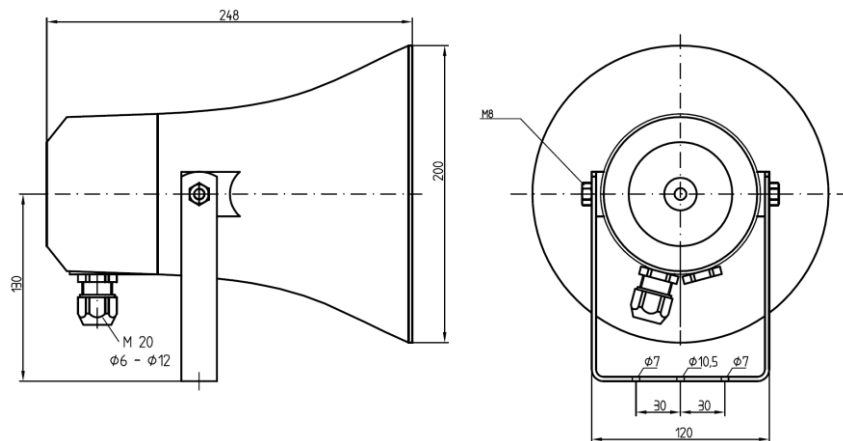


Figure 1: Dimensional drawing KL 15/2 UE

Environmental Requirements and Standards

• Ambient temperature	-50 °C to +90 °C (-58 °F to 194 °F)
• Relative humidity	Max. 95 %
• Degree of protection	IP67

Order Data

Type Number

001-215-002

INDUSTRONIC®

Industrie-Electronic GmbH & Co. KG
 Carl-Jacob-Kolb-Weg 1
 97877 Wertheim / Germany

Tel.: +49 9342 871-0
 Fax: +49 9342 871-565

info@industronic.de
 www.industronic.com