

HS 15 EExmN - ATEX

Explosion proof horn speaker



Main features

- Strong industry technique
- Stable and robust design
- Ingress protection IP66
- Wide temperature range

The explosion proof horn speakers from type HS 15 EExmN – ATEX are operated at INDUSTRONIC communication and public address system. They are especially designed for use in harsh environmental conditions.

Mechanical data

• Housing	Aluminium
• Dimensions front, depth	Ø 163 mm, 247 mm
• Cable gland	M20 x 1,5
• Ingress protection	IP66
• Weight	2,8 kg
• Colour	Grey
• Mounting	Stainless steel bracket

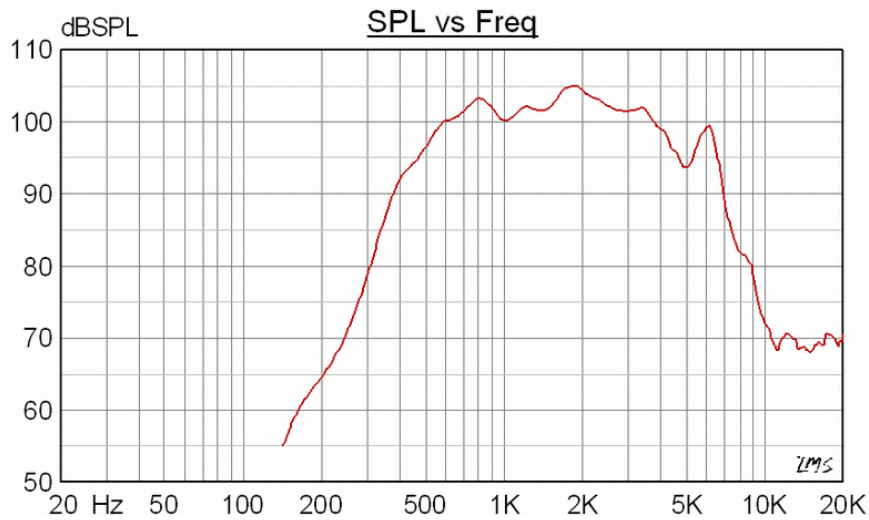
Electrical data

• Rated power	15 W
• Transformer	100 V at 15 W / 7,5 W / 4 W / 2,6 W / 2 W
• Sound pressure level 1 W, 1 m	105 dB +/- 3dB
• Sound pressure level 15 W, 1 m	116 dB +/- 3dB
• Efficient frequency range	410 Hz to 7000 Hz
• Dispersion angle -6 dB	1/4 kHz, 140/40°
• Certification	Ex II 2 GD / EEx de IIB+H ₂ T5

Environmental requirements and standards

• Ambient temperature during operation	- 50 °C to + 60 °C
• Humidity	Max. 95 %

Frequency diagram



Measurement conditions

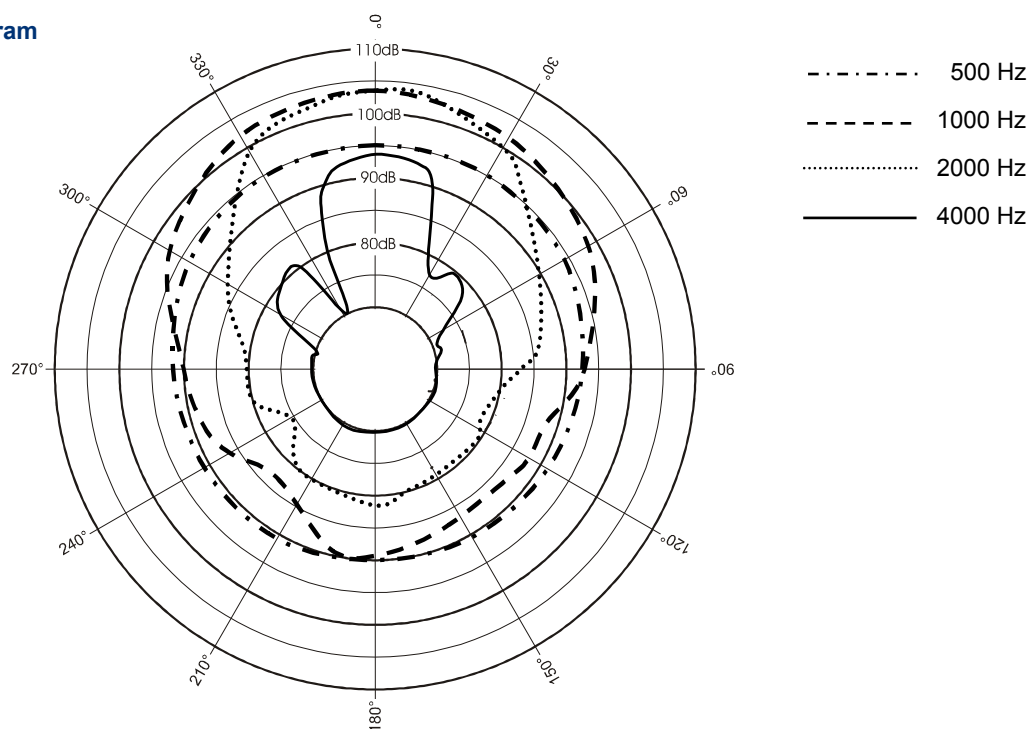
Sound pressure level (SPL) : 1W / 1m

Pink noise: 1/3 octave filter

Output level related to distance

P _{max} : 15 W	Level (dB) at	(-6dB)	(-14dB)	(-20dB)	(-23dB)	(-26dB)	(-28dB)	(-29dB)	(-36dB)	
		1 m	2 m	5 m	10 m	15 m	20 m	25 m	30 m	65 m
		116	110	102	96	93	90	88	87	80

Polar diagram



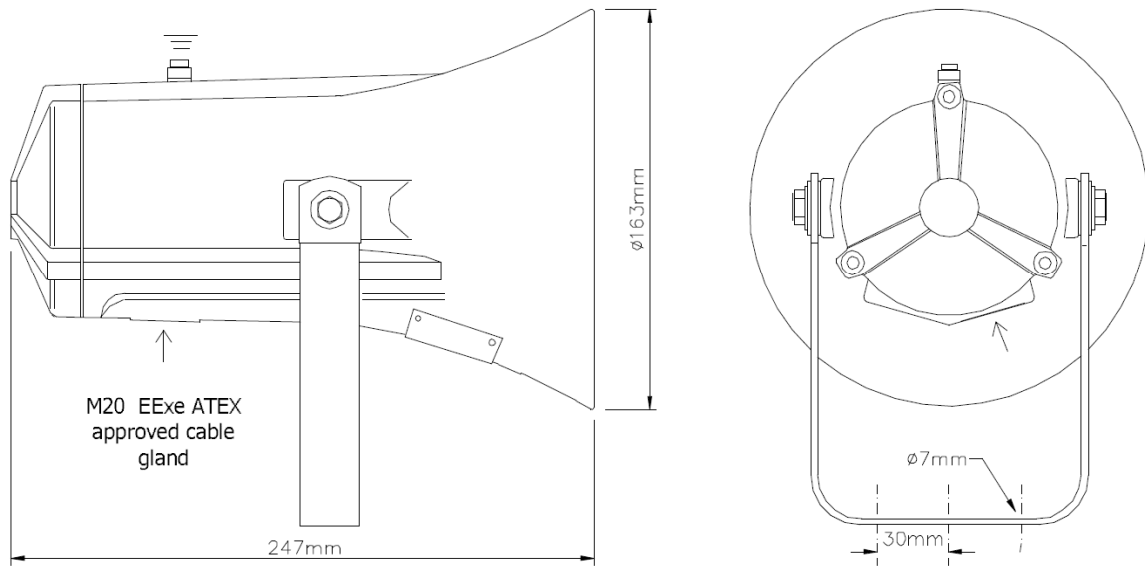


Figure 1: Dimensional drawing HS 15 EExmN - ATEX