

LD 6 Ü / 229

In-ceiling Loudspeaker



Main features

- Robust industrial technology
- Sturdy and robust design
- Ingress protection IP 21
- Ideal for use in indoor areas

The compact in-ceiling loudspeakers of the LD 6 Ü / 229 series are used together with the INDUSTRONIC communication and public address system. They are ideal for simple installation in buildings providing a high level of clarity for alarming using voice or tones.

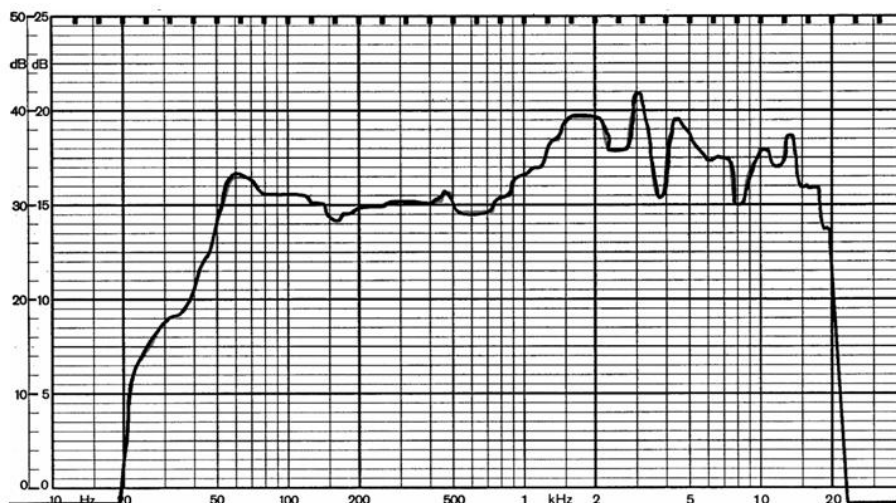
Mechanical data

• Housing	Plastic
• Total diameter	Ø 260 mm (10 1/4")
• Mounting cut-out diameter / depth	Ø 229 mm to 243 mm / 80 mm (Ø 9" to 9 1/2" / 3 1/4")
• Ingress protection	IP 21
• Weight	1.7 kg (4 lb)
• Color	White
• Mounting	Ceiling mounting
• Ceiling thickness	1 mm to 20 mm (1/4" to 3/4")
• Connection	Clamps

Electrical data

• Rated power	6 W
• Transformer tapplings	100 V: 6 W / 3 W / 1,5 W
• Sound pressure level 1 W, 1 m	91 dB
• Sound pressure level 6 W, 1	99 dB
• Effective frequency range	50 Hz to 18000 Hz
• Dispersion angle -6 dB	1 kHz: 180°, 4 kHz: 60°, 8 kHz: 40°

Frequency diagram



Measurement conditions

Sound pressure level (SPL): 1 W / 1 m

Pink noise: 1/3 octave filter

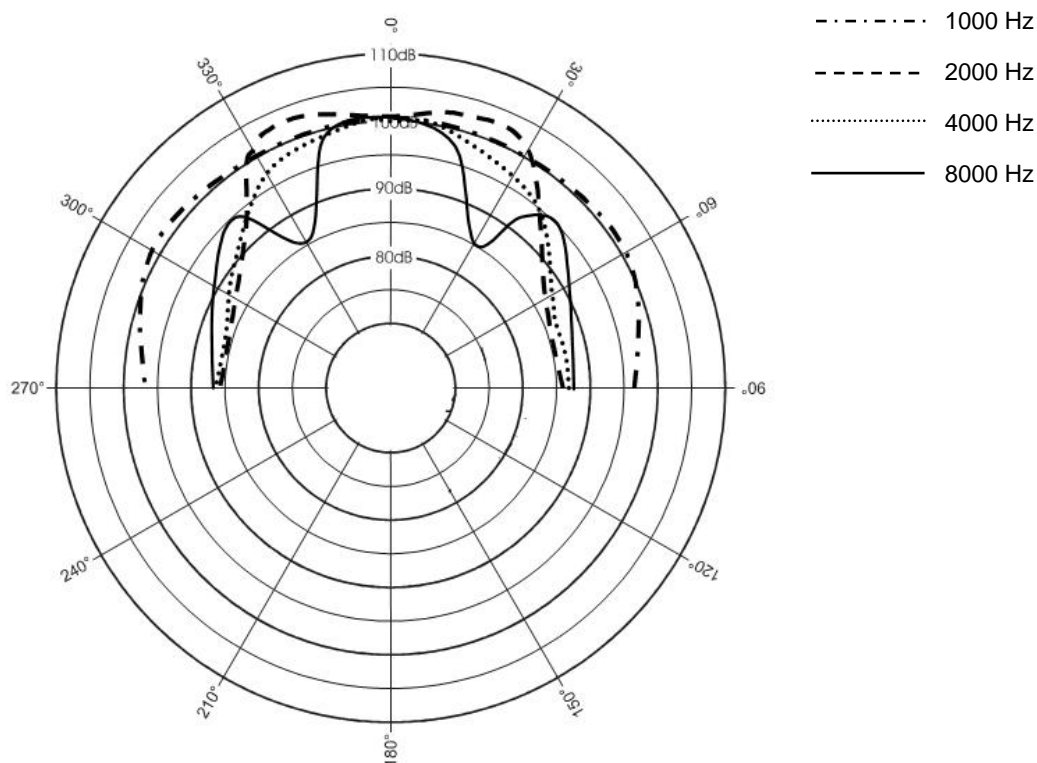
Zero level: 60 dB

Range: 50 dB

Output level related to distance

P _{max} :	Level (dB) at	(-6 dB)	(-12 dB)	(-16 dB)	(-18 dB)	(-22 dB)	(-24 dB)	(-26 dB)	(-28 dB)	
	6 W	1 m	2 m	4 m	6 m	8 m	12 m	16 m	20 m	25 m
		99	93	87	83	81	77	75	73	71

Polar diagram



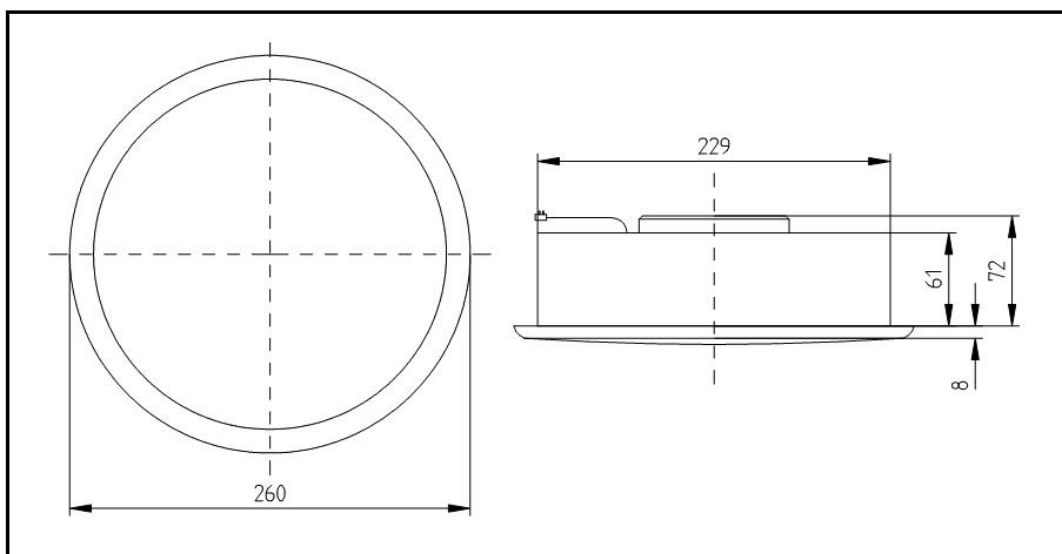


Figure 1: Dimensional drawing LD 6 Ü / 229

INDUSTRONIC®

Industrie-Electronic GmbH & Co. KG
 Carl-Jacob-Kolb-Weg 1
 97877 Wertheim / Germany

Tel.: +49 9342 871-0
 Fax: +49 9342 871-517

info@industronic.de
 www.industronic.com