

LD 6 Ü / 119

In-ceiling Loudspeaker



Main features

- Robust industrial technology
- Sturdy and robust design
- Ingress protection IP 21
- Ideal for use in indoor areas

The compact in-ceiling loudspeakers of the LD 6 Ü / 119 series are used together with the INDUSTRONIC communication and public address system. They are ideal for use in indoor areas, e.g. offices.

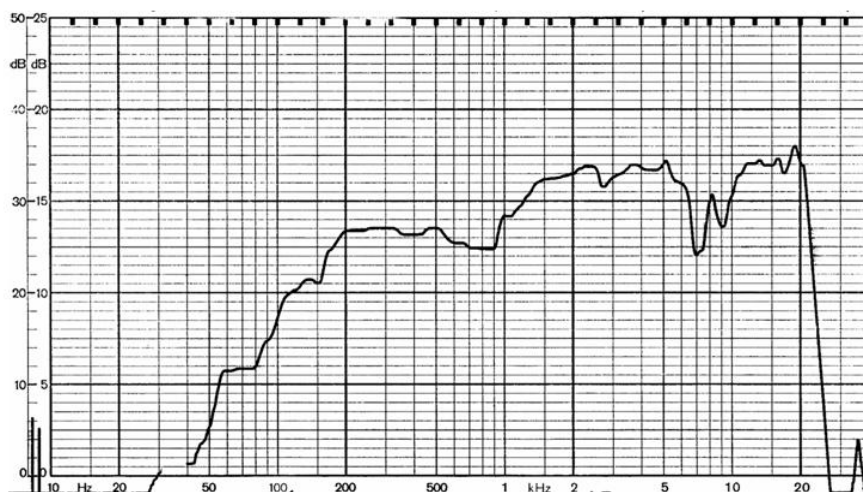
Mechanical data

• Housing	Plastic
• Total diameter	Ø 140 mm (5 1/4")
• Mounting cut-out diameter / depth	Ø 120 mm to 130 mm / 90 mm (Ø 4 3/4" to 5" / 3 1/2")
• Ingress protection	IP 21
• Weight	1.1 kg (2 lb)
• Color	White
• Mounting	Ceiling mounting
• Ceiling thickness	1 mm to 20 mm (1/4" to 3/4")
• Connection	Clamps

Electrical data

• Rated power	6 W
• Transformer tapings	100 V: 6 W / 3 W / 1,5 W
• Sound pressure level 1 W, 1 m	87 dB
• Sound pressure level 6 W, 1	95 dB
• Effective frequency range	180 Hz to 21000 Hz
• Dispersion angle -6 dB	1 kHz : 180°, 4 kHz : 130° 8 kHz : 80°

Frequency diagram



Measurement conditions

Sound pressure level (SPL): 1 W / 1 m

Pink noise: 1/3 octave filter

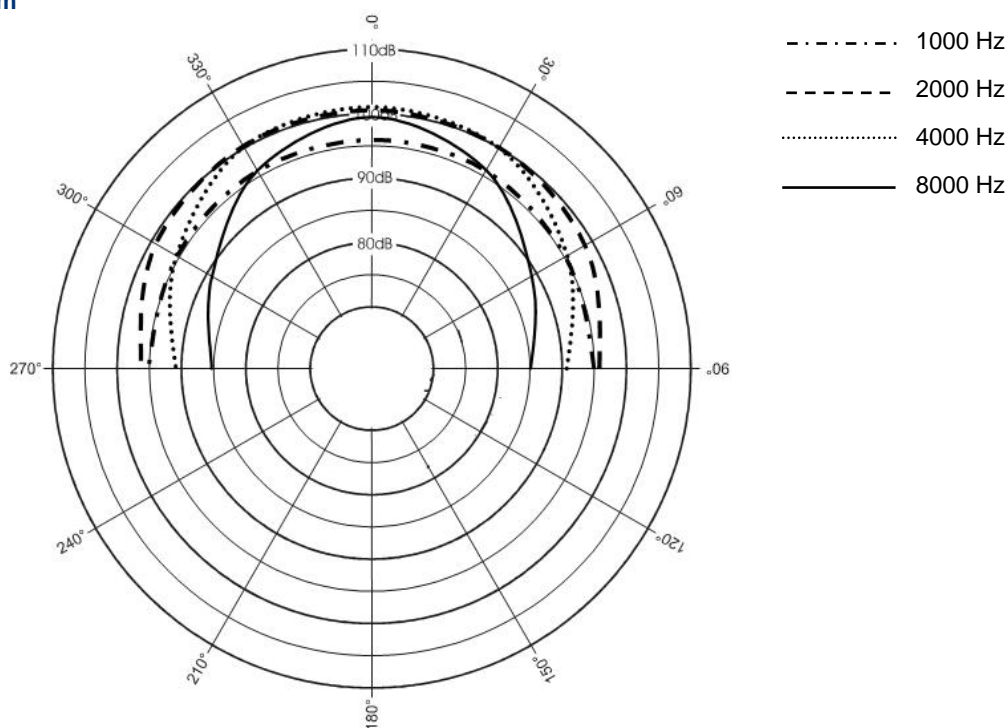
Zero level: 60 dB

Range: 50 dB

Output level related to distance

P _{max} :	Level (dB)	(-6 dB)	(-12 dB)	(-16 dB)	(-18 dB)	(-22 dB)	(-24 dB)	(-26 dB)	(-28 dB)
	at	2 m	4 m	6 m	8 m	12 m	16 m	20 m	25 m
6 W	1 m	2 m	4 m	6 m	8 m	12 m	16 m	20 m	25 m
	95	89	83	79	77	73	71	69	67

Polar diagram



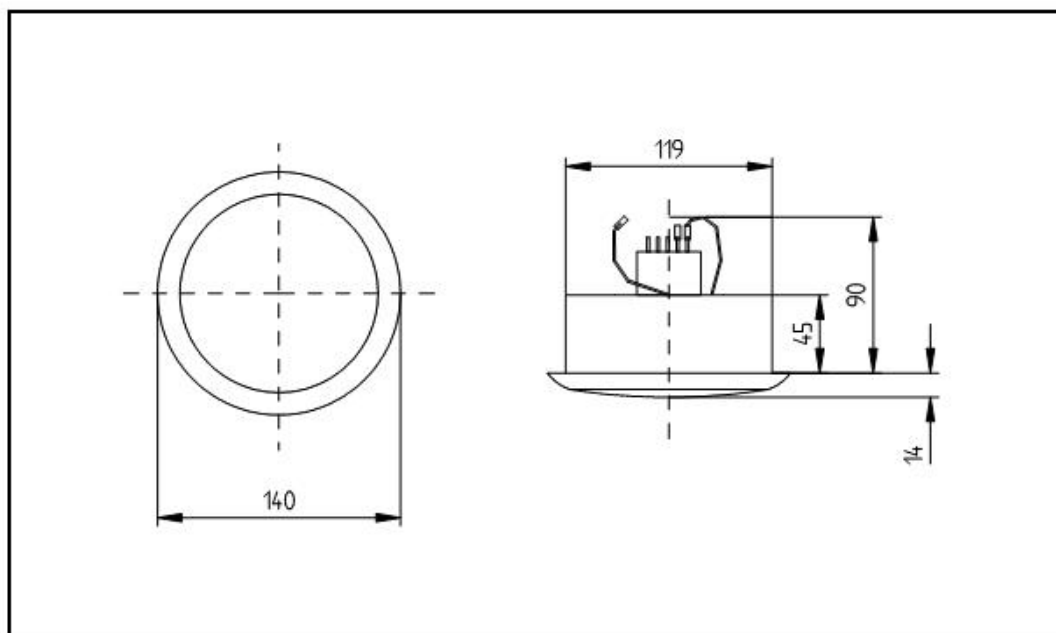


Figure 1: Dimensional drawing LD 6 Ü / 119

INDUSTRONIC®

Industrie-Electronic GmbH & Co. KG
 Carl-Jacob-Kolb-Weg 1
 97877 Wertheim / Germany

Tel.: +49 9342 871-0
 Fax: +49 9342 871-565

info@industronic.de
 www.industronic.com