

4 DAX 715

Digital Explosion-proof Intercom Station



Features and Functions

- For use in explosive (hazardous) areas of Ex zone 2
- Degree of protection IP66
- Housing made of glass-fiber reinforced polyester
- 1 dial keypad and 2 momentary rocker switches
- Designed for use with industrial gloves
- Visual call or busy status via LED
- Noise-compensating microphone with dynamic compression
- Continuously adjustable speaker volume and microphone sensitivity
- One internal potential-free relay contact

The intercom stations of the 4 DAX 715 series are used together with the INDUSTRONIC communication and public address system with digital interfaces. They are especially designed for use in explosive (hazardous) areas of Ex zone 2. The intercom stations can be expanded by external components. An optional 25-W booster amplifier enables the use of an external speaker. Based on project or specification needs, you can connect a flashing warning beacon and/or a foot switch.

Equipment category:	Ex II 3G	Ex	Compliant with DIN EN 60079
Ignition protection type:	Ex nA nC IIC T4 Gc X (EN/IEC 60079-15)	nA	Non-sparking and no hot surfaces in normal operation
Certificate:	IBExU14ATEXB009 X	nC	Sealed device
		IIC	For explosive atmospheres of all gas groups (IIA, IIB, IIC)
		T4	Device temperature <135 °C (<275 °F)
		Gc	For use in zone 2
		X	Special conditions for safe use

Accessories Available

- 25-W booster amplifier (25 DVAX 02 series)
- Flashing warning beacon
- Acoustic hood
- Free-standing mounting post
- Foot switch

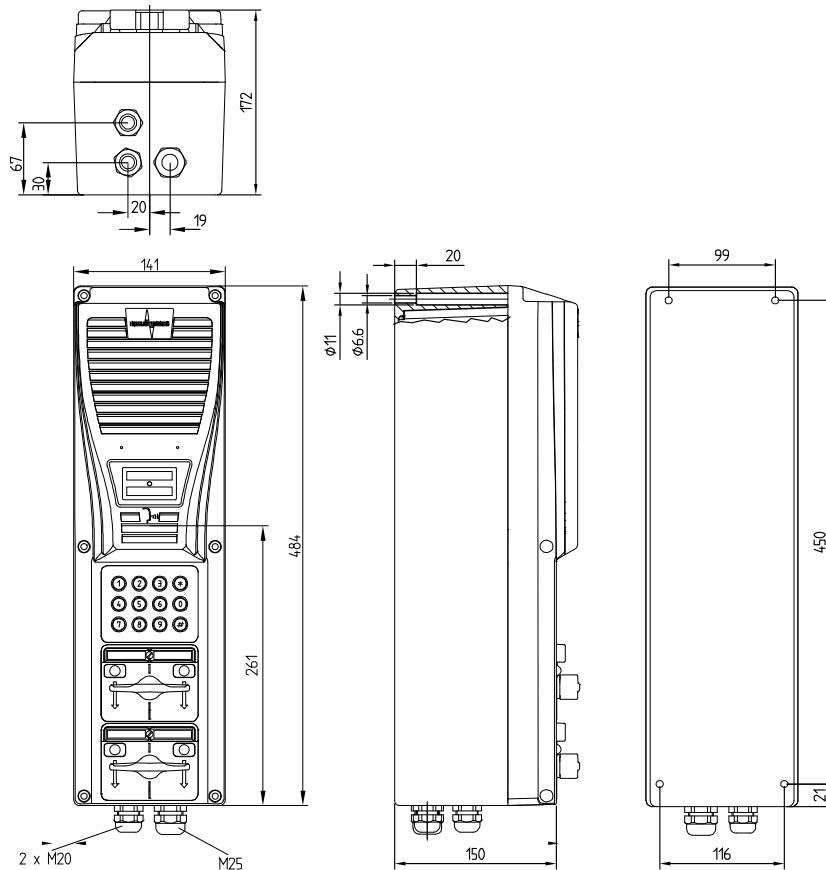


Fig. 1: Dimensional drawing 4 DAX 715

Mechanical Data

- | | |
|--------------------------|--|
| • Width x height x depth | 141 mm x 484 mm x 172 mm
(5.6" x 19" x 6.8") |
| • Cable gland | 2 x M20
(cable diameter: 4 mm to 13 mm)
1 x M25
(cable diameter: 7 mm to 17 mm) |
| • Weight | Approx. 5 kg (approx. 11 lbs) |
| • Color | Pure Orange (RAL 2004) |

Electrical Data of Intercom Station

• Operating voltage range	42 VDC to 72 VDC
• Quiescent current consumption	25 mA
• Max. current consumption	70 mA
• Max. sound pressure level (distance 30 cm (12"))	115 dB
• Frequency range	300 Hz to 7,000 Hz
• Speaker	15 W / 8 Ohms
• Relay	1 A, 72 VDC, 30 W (resistive load) 0.15 A, 72 VDC (any type of load)

Electrical Data of Booster Amplifier

• Operating voltage range	42 VDC to 72 VDC
• Quiescent current consumption	60 mA
• Max. current consumption	850 mA
• Output power	25 W / 400 Ohms

Environmental Requirements and Standards

• Ambient temperature during operation	-40 °C to +55 °C (-40 °F to +131 °F)
• Relative humidity (non-condensing)	Max. 95 %
• Degree of protection	IP66
• Max. ambient noise level	110 dB
• EMC	IEC/EN 61000-6-2 IEC/EN 61000-6-4

Type Overview	No. Rocker Switches	No. Dial Keypads	Booster Amplifier	Type	Type Number
	2	1	-	4 DAX 715	301-644-401
			x	4 DAX 715/25	301-644-401/25

INDUSTRONIC®

Industrie-Electronic GmbH & Co. KG
Carl-Jacob-Kolb-Weg 1
97877 Wertheim / Germany

Phone: +49 9342 871-0
Fax: +49 9342 871-565

info@industronic.de
www.industronic.com