

# 1 SSH 03

## Weatherproof Acoustic Hood



### Features and Functions

- Robust and weatherproof acoustic hood made of polyethylene
- Noise reduction of up to 11 dB
- Suitable for use with INDUSTRONIC intercom stations of the DA 0x3, DA 0x4, and DA(E) 0x5 series

The acoustic hoods of the 1 SSH 03 series from INDUSTRONIC are used for noise reduction in high ambient noise environments. They provide a high level of noise insulation ensuring highest intelligibility. Additionally, they protect intercom stations against environmental influences such as rain, snow, sun, or dust.

### Technical Data

• Material	Polyethylene
• Noise reduction	Max. 11 dB
• Width x height x depth	705 mm x 870 mm x 520 mm (27.8" x 34.3" x 20.5")
• Weight	10 kg (22 lbs)
• Ambient temperature	-20 °C to +60 °C (-4 °F to +140 °F)
• Color	Orange, red, yellow Other colors on request.

### Scope of Supply

- 1 x acoustic hood

### Order Data

Color	Type Number
Orange	070-000-014/OG
Red	070-000-014/RD
Yellow	070-000-014/YE

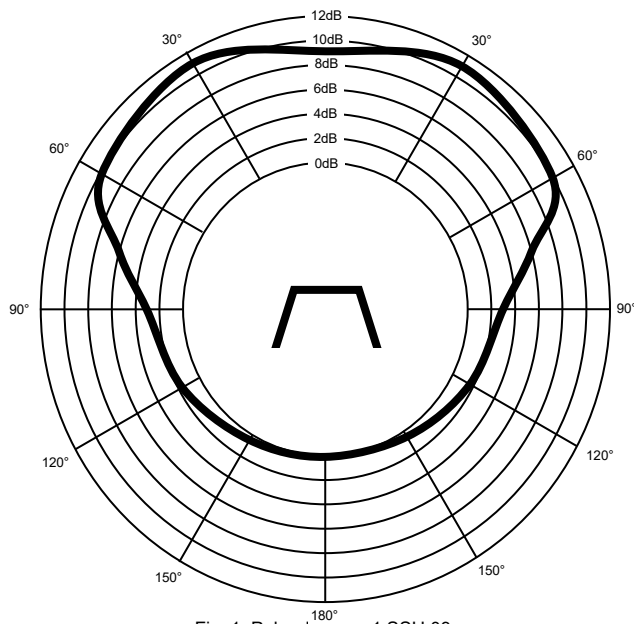


Fig. 1: Polar diagram 1 SSH 03

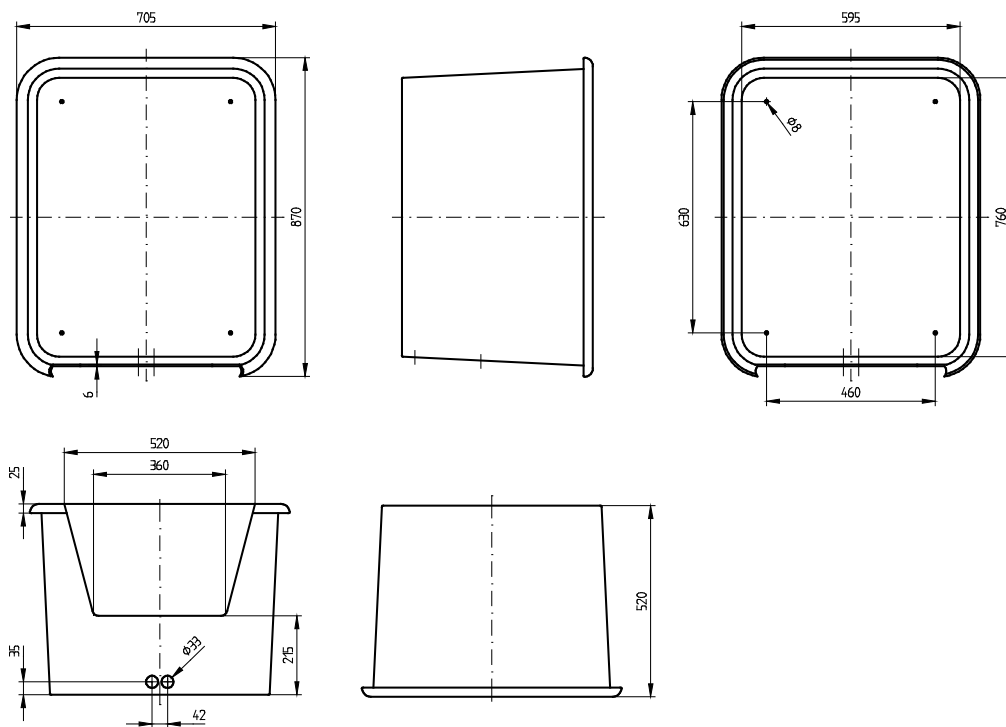


Fig. 2: Dimensional drawing 1 SSH 03

**INDUSTRONIC®**

Industrie-Electronic GmbH & Co. KG  
 Carl-Jacob-Kolb-Weg 1  
 97877 Wertheim / Germany

Tel.: +49 9342 871-0  
 Fax: +49 9342 871-565

info@industronic.de  
 www.industronic.com

Subject to technical modifications