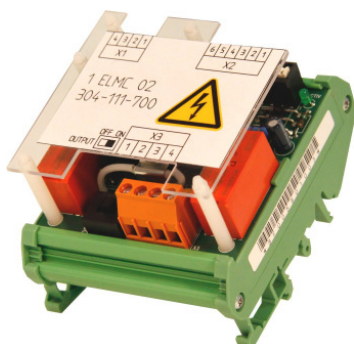


# 1 ELMC 02

## Beacon Control Module



### Features and Functions

- Allows switching and monitoring of flashing warning beacons wired as line or loop
- Suitable for flashing warning beacons with voltages of 24 VDC, 48 VDC, 60 VDC, 115 VAC, and 230 VAC
- Easy installation on DIN rail for mounting in central cabinets
- Integrated thermal overload protection
- Integrated overvoltage protection
- Line outputs can be isolated for maintenance purposes

The 1 ELMC 02 beacon control module is part of the INDUSTRONIC communication and public address system. The module is used to switch flashing warning beacon lines or loops. Together with a line monitoring unit (e.g. 6 LME 01 from INDUSTRONIC) the module can also monitor them.

### Mechanical Data

• Design	Module for DIN rail mounting
• Width x height x depth	90 mm x 73 mm x 65 mm (3.5" x 2.9" x 2.6")
• Connections for switching / power supply	Push-in terminals 1.5 mm <sup>2</sup>
• Connections for field wiring	Screw terminals 4 mm <sup>2</sup>
• Weight	Approx. 140 g (approx. 0.3 lbs)

### Electrical Data

• Control voltage	42 VDC to 70 VDC
• Current consumption	28 mA (at 48 V)
• Internal monitoring resistor	206 Ohms +/- 5 %
• AC load voltage	115 / 230 VAC +/- 20%
• AC load current	Max. 4.2 AAC
• DC load voltage	Max. 72 VDC
• DC load current	Max. 5 A at 24 VDC Max. 5 A at 48 VDC Max. 3 A from 60 VDC to 72 VDC

### Environmental Requirements and Standards

- Ambient temperature during operation -10 °C to +55 °C (14 °F to 131 °F)
- Relative humidity (non-condensing) Max. 95 %

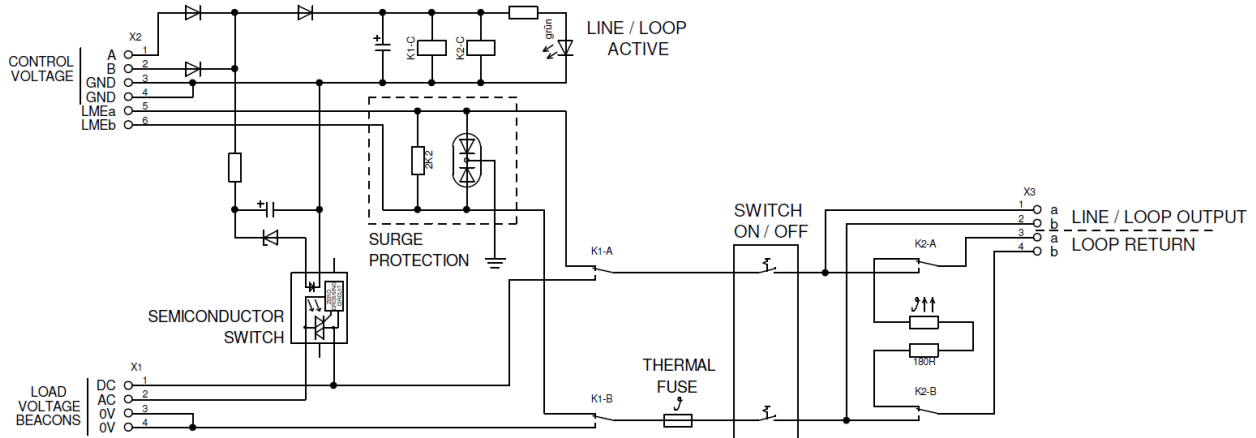


Figure 1: Block diagram 1 ELMC 02

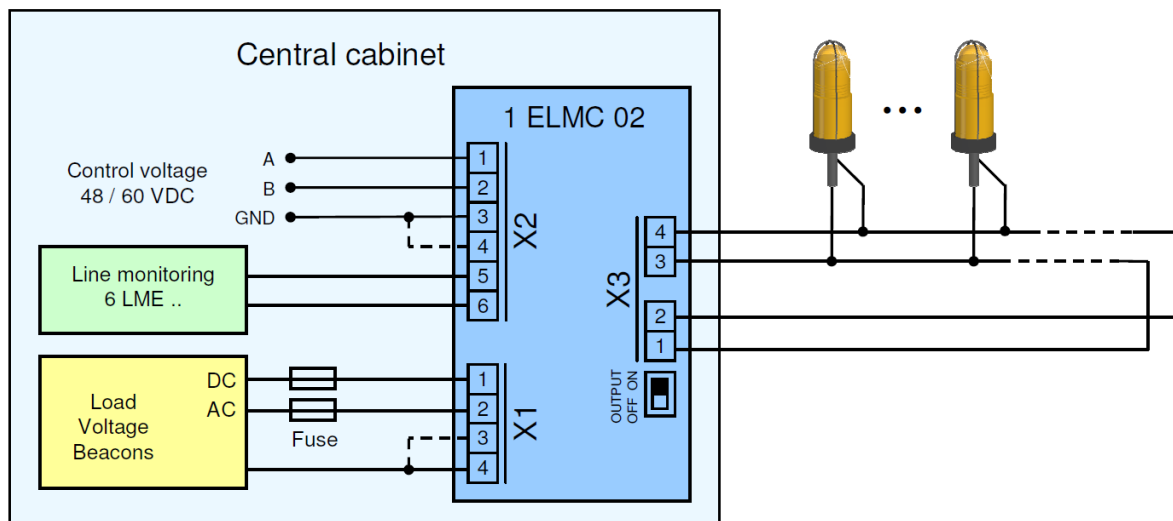


Figure 2: Application example 1 ELMC 02

**INDUSTRONIC®**

Industrie-Electronic GmbH & Co. KG  
 Carl-Jacob-Kolb-Weg 1  
 97877 Wertheim / Germany

Phone: +49 9342 871-0  
 Fax: +49 9342 871-565

info@industronic.de  
 www.industronic.com