

# 1 ELM

## End-of-line Module



### Main features

- Available for 48/60 VDC, 115 VAC and 230 VAC
- Robust glass fiber reinforced housing
- IP65 weatherproof design

The 1 ELM end-of-line module is part of the INDUSTRONIC communication and public address system with digital interfaces and is used for the monitoring of flashing beacon lines. Together with the line monitoring (e.g. 6 LME 01 from INDUSTRONIC) the end-of-line module presents a defined resistance making the monitoring possible in the first place.

### Mechanical data

• Construction	Wall-mounted housing
• Material	Glass fiber reinforced polyester
• Width x height x depth	160 mm x 160 mm x 90 mm (6 1/4" x 6 1/4" x 3 1/2")
• Cable entry	2 x M20 x 1.5
• Cable gland	1 x M20 x 1.5
• Cross section cable	max. 10 mm <sup>2</sup>
• Connections	screw terminals
• Weight	ca. 1.5 kg (approx. 3 1/4 lb)

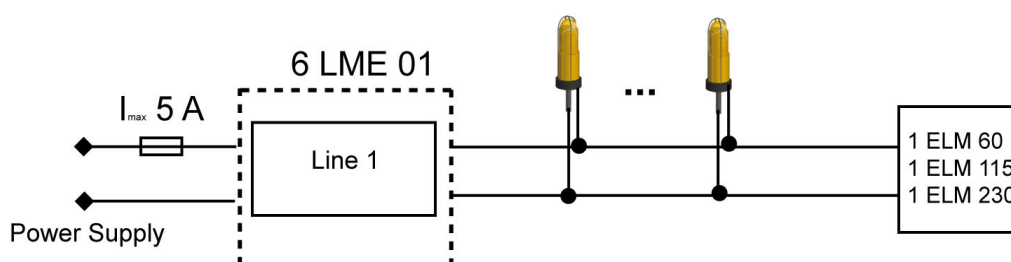


Figure 1: Sample application for flashing beacon monitoring

### Electrical data

• Operating voltage	1 ELM 60: 40 VDC to 70 VDC 1 ELM 115: 115 VAC (+/- 15 %) 1 ELM 230: 230 VAC (+/- 15 %)
• Monitoring resistor	1 ELM 60: 150 Ohm 1 ELM 115: 180 Ohm 1 ELM 230: 270 Ohm
• Internal fuse	1 ELM 60: 100 mA (medium time lag) 1 ELM 115: 100 mA (medium time lag) 1 ELM 230: 250 mA (time lag)

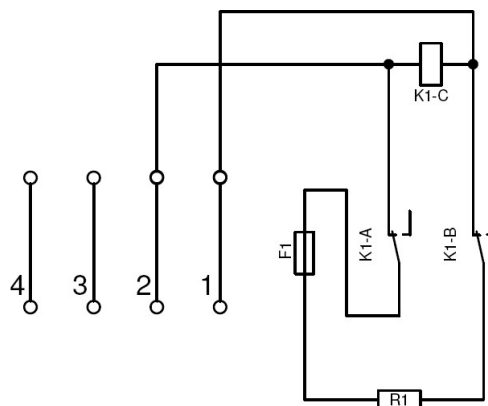


Figure 2: Block diagram 1 ELM

### Environmental requirements and standards

• Operating temperature	-20 °C to 70 °C (-4 °F to 158 °F)
• Humidity	Max. 95 %
• Ingress protection	IP65

### INDUSTRONIC®

Industrie-Electronic GmbH & Co. KG  
Carl-Jacob-Kolb-Weg 1  
97877 Wertheim / Germany

Tel.: +49 9342 871-0  
Fax: +49 9342 871-565

info@industronic.de  
www.industronic.com