

BExBG21D-P 115 VAC / 230 VAC

Explosion-proof Flashing Warning Beacon



Features and Functions

- Universal application possibilities
- Suited for Ex zones 1, 2, 21, and 22
- Degree of protection IP66 and IP67
- Corrosion-proof, marine grade aluminum
- UV stable Polycarbonate color lens filters replaceable in the field
- Xenon lamp mechanically secured against shock and vibration
- Stainless steel dome guard
- 3 distinct user selectable flash patterns

The BExBG21D-P flashing warning beacon is used to visually indicate alarm signals and incoming calls in explosive environments. It is suitable for use in Ex zones 1, 2, 21, and 22. It is connected to and controlled via the central exchange unit. The robust beacon can be installed both indoors and outdoors. Simply change the color at a later date by replacing the color filter of the beacon in the field.

In case of an alarm, the beacon is activated for the duration of the alarm. Call signaling is activated as soon as the intercom station receives a call. Call signaling stops as soon as the incoming call has been answered at the intercom station or a pre-programmed time has elapsed.



Fig. 1: Application

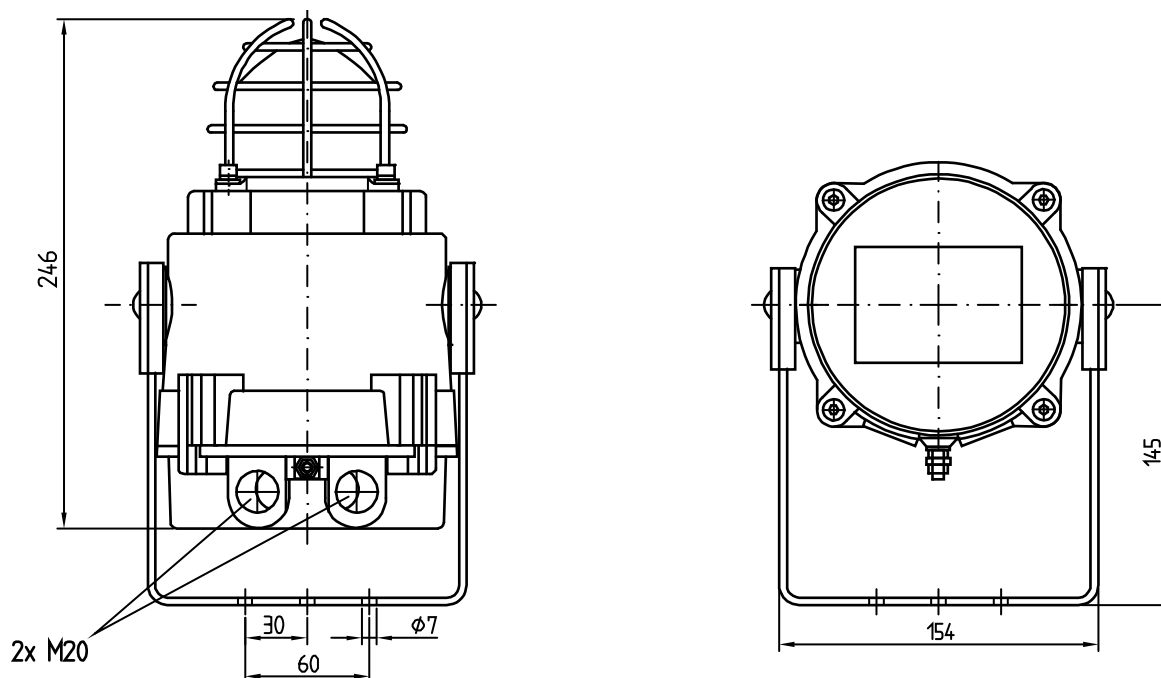


Fig. 2: Dimensional drawing BExBG21D-P

Mechanical Data

• Housing material	Aluminum (phosphated and powder-coated)
• Hood material	Tempered glass
• Ceiling and wall-mounting bracket	Stainless steel
• Width x height of beacon	154 mm x 246 mm (6.1" x 9.7")
• Width x length of wall-mounting bracket	145 mm x 154 mm (5.7" x 6.1")
• Cable gland	2 entries M20 x 1.5
• Connection	Screw terminals for in and out
• Clamping range	0.5 mm ² to 2.5 mm ²
• Weight	Approx. 3 kg (approx. 6.6 lbs)

Electrical Data

Version	Voltage Range	Current Consumption
115 VAC (50/60 Hz)	+/- 10 %	560 mA
230 VAC (50/60 Hz)	+/- 10 %	280 mA

Flash Data

• Flash energy	21 J
• Flash rate	1 Hz, 2 Hz, and double strike 1 Hz (adjustable)

Environmental Requirements and Standards		
• Ambient temperature during operation	-50 °C to +70 °C (-58 °F to +158 °F)	
• Protection class	Class I	
• Degree of protection	IP66 and IP67	
• Gas explosion protection zones 1 and 2	II 2G Ex d IIC T3 Ta < 70 °C (+158 °F)	
• Dust explosion protection zones 21 and 22	II 2D Ex tb IIIC T165 °C Db Ta < 55 °C (+131 °F) II 2D Ex tb IIIC T180 °C Db Ta < 70 °C (+158 °F)	
• Certificate	KEMA 00 ATEX 2006 IECEX KEM 10.0002 X	

Options		
• Colors	Amber, Blue, Yellow, Red (other colors upon request)	

Type Overview	Voltage	Lens Color	Type	Type Number
	115 VAC	Amber	BExBG21D-P 115 VAC/AM	070-000-087/AM
		Blue	BExBG21D-P 115 VAC/BU	070-000-087/BU
		Red	BExBG21D-P 115 VAC/RD	070-000-087/RD
		Yellow	BExBG21D-P 115 VAC/YE	070-000-087/YE
	230 VAC	Amber	BExBG21D-P 230 VAC/AM	070-000-088/AM
		Blue	BExBG21D-P 230 VAC/BU	070-000-088/BU
		Red	BExBG21D-P 230 VAC/RD	070-000-088/RD
		Yellow	BExBG21D-P 230 VAC/YE	070-000-088/YE

INDUSTRONIC®
 Industrie-Electronic GmbH & Co. KG
 Carl-Jacob-Kolb-Weg 1
 97877 Wertheim / Germany

Tel.: +49 9342 871-0
 Fax: +49 9342 871-565

info@industronic.de
 www.industronic.com