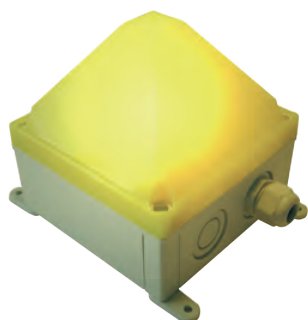


WMFL 01

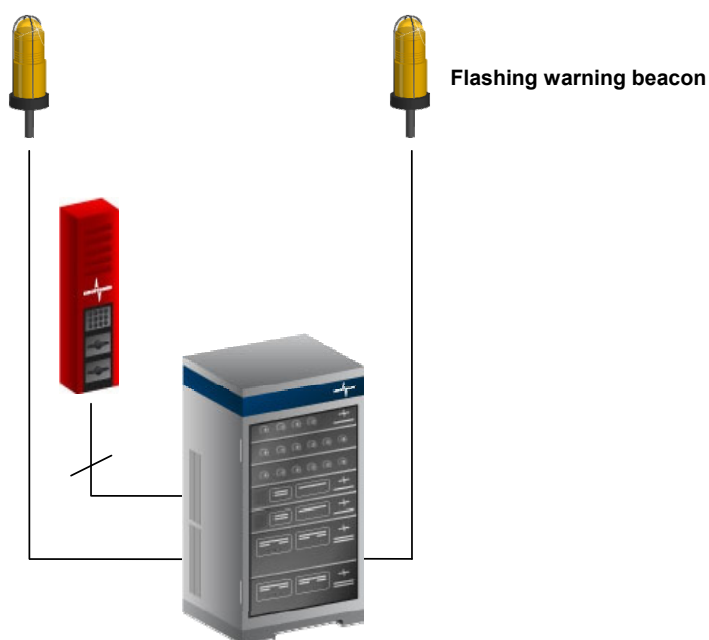
LED Multifunction Warning Beacon



Features and Functions

- For use in industrial environments
- Impact-proof housing
- Insensitive to shock and vibration
- Selectable operating mode for 4 different alarms
 - Flashing light
 - Blinking light
 - All-round light
 - Continuous light
- Degree of protection IP66 and IP67

The LED multifunction warning beacon of the WMFL 01 series can be used to visually indicate alarm signals and incoming calls at intercom stations. It is directly controlled via the central exchange unit. The beacon can be installed both indoors and outdoors.



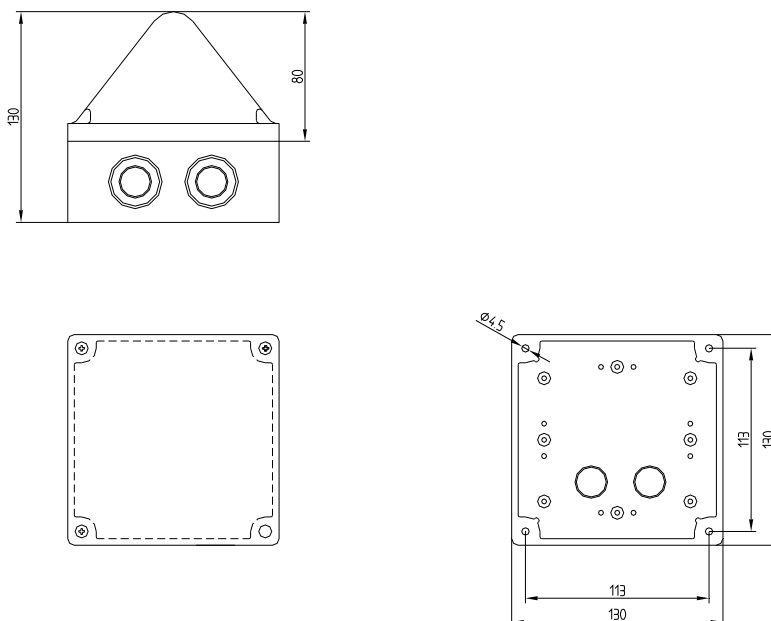


Figure 2: Dimensional drawing WMFL 01

Mechanical Data

• Housing material	Polycarbonate (PC)
• Housing color	Grey (RAL 7035)
• Dome material	Polycarbonate (PC)
• Dome color	Red, orange, yellow, clear (other colors available upon request)
• Light source	8 x 2 LEDs
• Light intensity	9 cd
• Height x width	130 mm x 130 mm (5.1" x 5.1")
• Cable entry	2 x M20/M32 sideways, 2 x M20 bottom side
• Terminals	Spring-type terminal 0.08 to 2.5 mm ²
• Weight	Approx. 0.5 kg (approx. 1.1 lbs)

Electrical Data

Version	Voltage Range	Current Consumption
24 VAC/VDC (50/60 Hz)	+/-10 %	250 mA
230 VAC (50/60 Hz)	+/-10 %	60 mA

Operating Modes

- Flashing light
 - Blinking light
 - All-round light
 - Continuous light
-

Environmental Requirements and Standards

- | | |
|--|---|
| • Ambient temperature during operation | -30 °C to +55 °C (-22 °F to 131 °F) |
| • Humidity | Max. 95 % |
| • Degree of protection | IP66 and IP67
(any desired mounting) |
-

INDUSTRONIC®

Industrie-Electronic GmbH & Co. KG
 CarlJacobKolbWeg 1
 97877 Wertheim / Germany

Tel: +49 9342 871-0
 Fax: +49 9342 871-565

info@industronic.de
 www.industronic.com