

48 WBL 11

Flashing Warning Beacon



Main features

- Universal application possibilities
- Suited for industrial environments
- Degree of protection IP66 and IP67
- Robust fire-retardant plastic housing
- Impact-proof lens with dome guard
- Adjustable stainless steel bracket for 360° positioning
- Mechanically secured against vibration

The 48 WBL 11 flashing warning beacon is used to visually signal alarm signals as well as incoming calls at intercom stations.

Call Signaling at Intercom Stations

The beacon will start to flash, as soon as the intercom station receives a call. The signaling will stop, as soon as the incoming call has been accepted or pre-programmed time has elapsed.

Alarm Signaling

The flashing warning beacon will be activated for the duration of the alarm. It can either be connected to an intercom station or the control exchange unit in order to control the beacon from there.

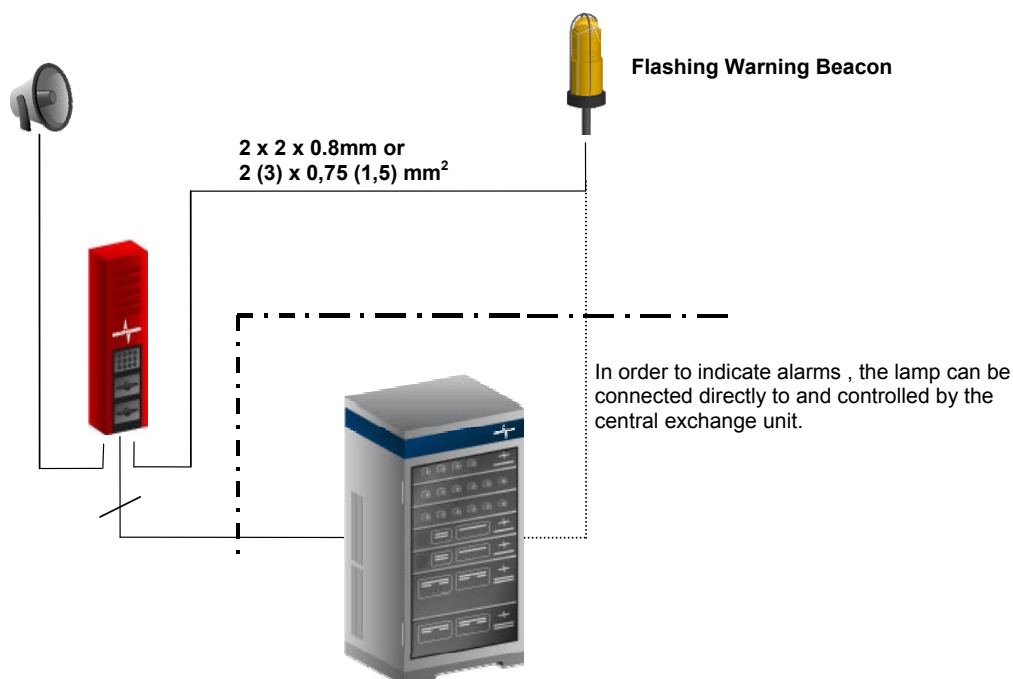


Figure 1: Application

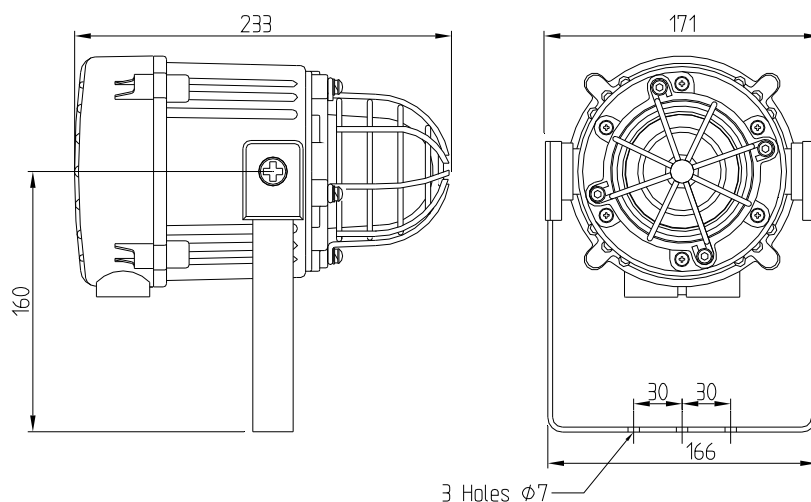


Figure 2: Dimensional drawing 48 WBL 11

Mechanical data

• Housing material	Plastic according to UL94 V0 und 5VA FR ABS
• Globe material	Borosilicate glass with Polycarbonate (PC) lens cover
• Height x Width	233 mm x 171 mm (9 1/4" x 6 3/4")
• Cable gland	2 x M20
• Weight	approx. 1.5 kg (approx 3 1/4 lb)
• Colors	Amber, blue, clear, green, yellow, red (other colors on request)

Electrical data

• Operating voltage range	42 VDC to 54 VDC
• Current consumption	180 mA
• Flash energy	5 Joule
• Flash rate	1 Hz

Environmental requirements and standards

• Ambient temperature	-25 °C to +55 °C (-13 °F to 131 °F)
• Storage temperature	-40 °C to 70 °C (-40 °F to 158 °F)
• Degree of protection	IP66 and IP67
• Approval	GOST-R

INDUSTRONIC®

Industrie-Electronic GmbH & Co. KG
 Carl-Jacob-Kolb-Weg 1
 97877 Wertheim / Germany

Tel.: +49 9342 871-0
 Fax: +49 9342 871-565

info@industronic.de
 www.industronic.com