

# CWB – ATEX 48V

## Explosion-proof Flashing Warning Beacon



### Features and Functions

- Universal application possibilities
- Suited for gas explosive environments and areas with combustible dusts
- Degree of protection IP66
- Aluminum housing resistant to corrosion and seawater
- Flash energy 5 Joule

The CWB-ATEX 48V flashing warning beacon is used to visually indicate alarm signals as well as incoming calls at intercom stations in explosive environments. It is suitable for use in Ex zones 1, 2, 21 as well as 22 and is directly controlled by the central exchange unit.

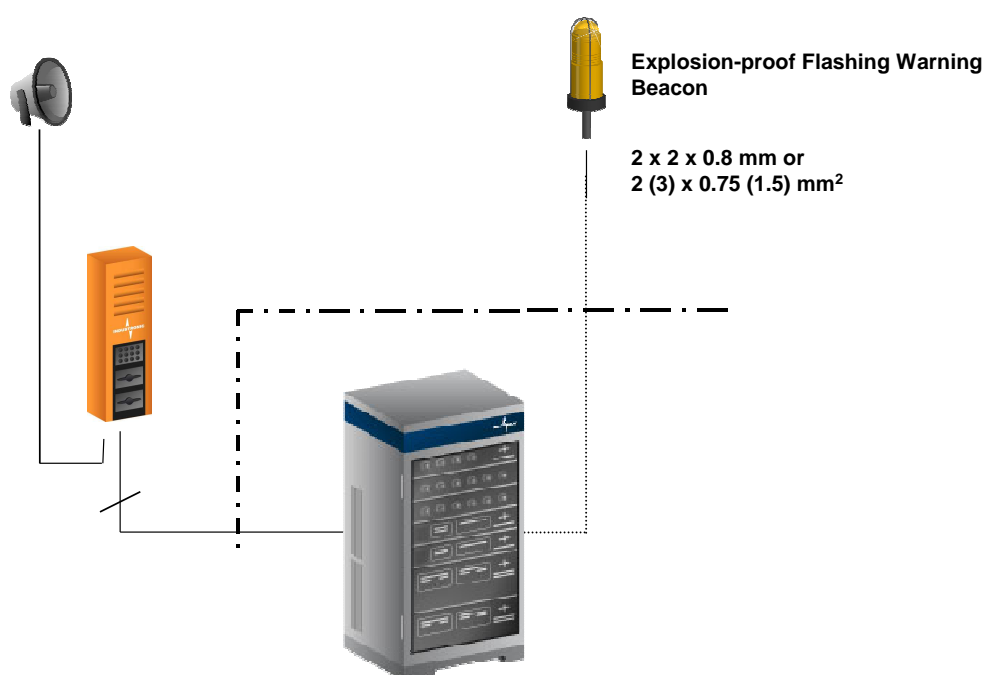


Figure 1: Application

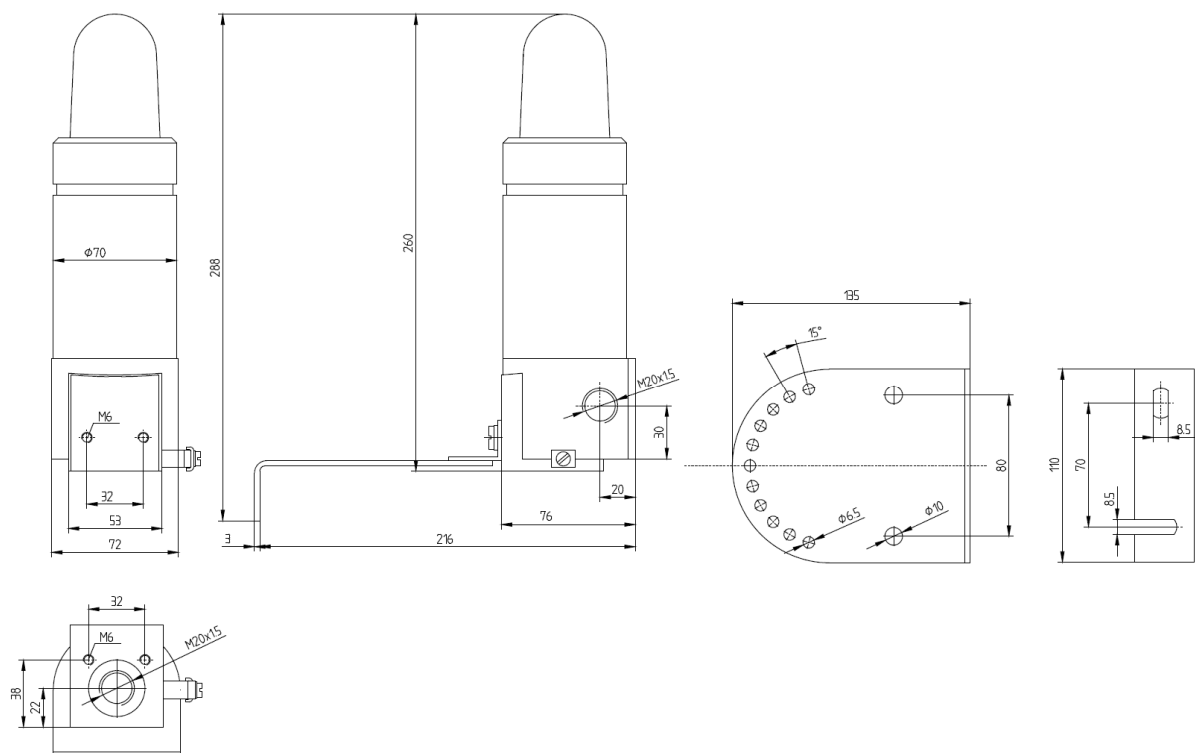


Figure 2: Dimensional drawing CWB – ATEX 48V

### Mechanical Data

• Housing material	Aluminum (powder-coated)
• Hood material	Polycarbonate (PC)
• Ceiling and wall-mounting bracket	Stainless steel
• Height x width flashing warning beacon	260 mm x 76 mm (10.2" x 3")
• Length x width wall-mounting bracket	135 mm x 110 mm (5.3" x 4.3")
• Cable gland	M20 x 1.5 and M20 x 1.5 blind
• Connection	Screw terminals
• Clamping range	2 x 4 mm <sup>2</sup> (solid), 2 x 2.5 mm <sup>2</sup> (flexible)
• Weight	Approx. 2 kg (approx. 4.4 lbs)
• Colors	Yellow, red, orange (other colors upon request)

### Electrical Data

• Operating voltage range	12 VDC to 53 VDC
• Current consumption	300 mA at 53 V to 500 mA at 12 V
• Flash energy	5 Joule
• Flash rate	1 Hz
• Service life	6 x 10 <sup>6</sup> flashes

### Environmental Requirements and Standards

• Ambient temperature	T6: -40 °C to +40 °C (-4 °F to 104 °F) T5: -40 °C to +50 °C (-4 °F to 122 °F)
• Protection class	Class I
• Degree of protection	IP66
• Gas explosion protection zones 1 and 2	II 2G Ex d e IIC T6 Gb      Ta < +40 °C II 2G Ex d e IIC T5 Gb      Ta < +50 °C
• Gas explosion protection zones 21 and 22	II 2D Ex tb IIIC T85 °C Db      Ta < +40 °C II 2D Ex tb IIIC T100 °C Db      Ta < +50 °C
• Certificate	LCIE 02 ATEX 6113 X

### Order Data

Type	Type Number	Hood Color
CWB-ATEX 48V/YE	070-000-055/YE	Yellow
CWB-ATEX 48V/RD	070-000-055/RD	Red
CWB-ATEX 48V/OG	070-000-055/OG	Orange

### INDUSTRONIC®

Industrie-Electronic GmbH & Co. KG  
Carl-Jacob-Kolb-Weg 1  
97877 Wertheim / Germany

Tel.: +49 9342 871-0  
Fax: +49 9342 871-565

info@industronic.de  
www.industronic.com