

# 230 WBL 01

## Flashing Warning Beacon



### Features and Functions

- Weatherproof flashing warning beacon for industrial environments
- Degree of protection IP54
- Sturdy metal housing
- Impact-proof lens
- Universal application possibilities

The flashing warning beacon of the 230 WBL 01 series can be used to visually signal alarms and calls at intercom stations. It is directly controlled via the central exchange unit. The robust beacon can be installed both indoors and outdoors.

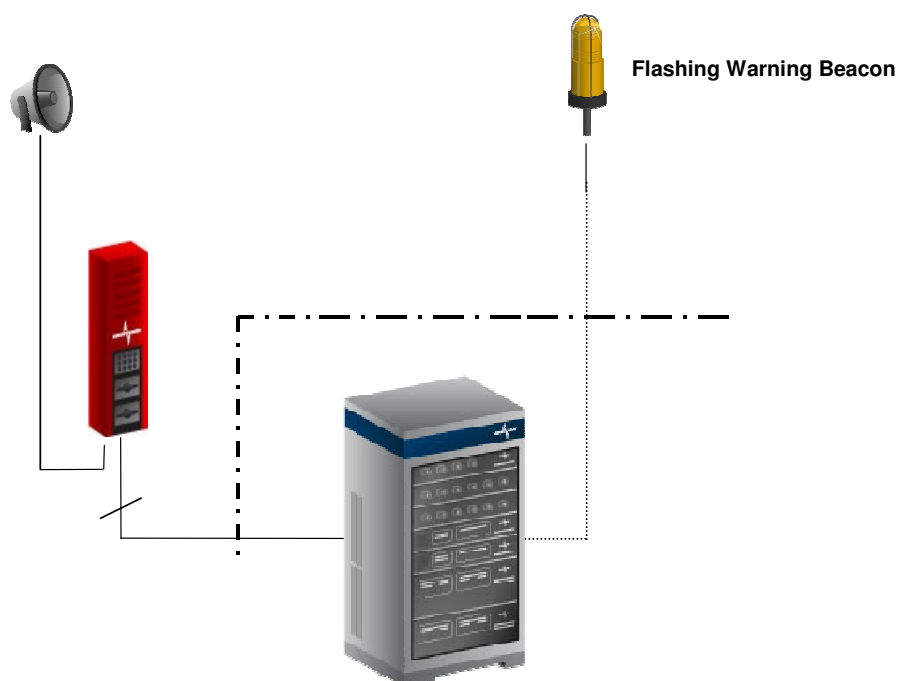


Figure 1: Application

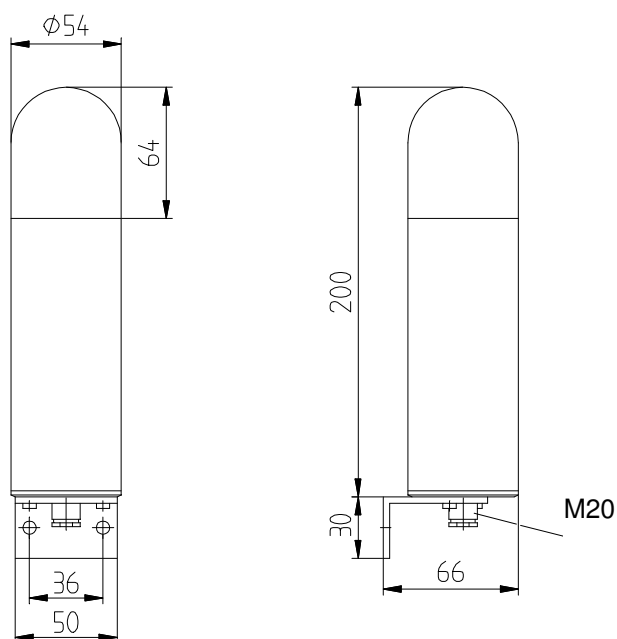


Figure 2: Dimensional drawing 230 WBL 01

#### Mechanical Data

• Housing material	Aluminum
• Hood material	Polycarbonate (PC)
• Height x width	200 mm x 54 mm (7.8" x 2.1")
• Cable gland	M20
• Weight	Approx. 0.3 kg (approx. 0.7 lbs)
• Colors	White, orange, red, yellow (other colors on request)

#### Electrical Data

• Operating voltage range	185 VAC to 255 VAC
• Current consumption	70 mA
• Flash energy	5 Joule
• Flash rate	1 Hz

#### Environmental Requirements and Standards

• Ambient temperature	-30 °C to +55 °C (-22 °F to +131 °F)
• Degree of protection	IP54 (vertical mounting)

Type Overview	Lens Color	Type	Type Number
	White	230 WBL 01/WH	070-000-043/WH
	Orange	230 WBL 01/OG	070-000-043/OG
	Red	230 WBL 01/RD	070-000-043/RD
	Yellow	230 WBL 01/YE	070-000-043/YE

**INDUSTRONIC®**

Industrie-Electronic GmbH & Co. KG  
 Carl-Jacob-Kolb-Weg 1  
 97877 Wertheim / Germany

Tel.: +49 9342 871-0  
 Fax: +49 9342 871-565

[info@industronic.de](mailto:info@industronic.de)  
[www.industronic.com](http://www.industronic.com)