

CWB – ATEX 60V

Explosion-proof Flashing Warning Beacon



Features and Functions

- Universal application possibilities
- Suited for gas explosive environments and areas with combustible dusts
- Degree of protection IP66
- Aluminum housing resistant to corrosion and seawater
- Flash energy 5 Joule

The CWB-ATEX 60V flashing warning beacon is used to visually indicate alarm signals as well as incoming calls at intercom stations in explosive environments. It is suitable for use in Ex zones 1, 2, 21 and 22 and can directly be controlled using the central exchange unit or an intercom station.

Call Signaling at Intercom Stations

The flashing warning beacon starts to flash, as soon as the intercom station receives a call. The signaling stops, as soon as the incoming call has been accepted or the pre-programmed time has elapsed.

Alarm Signaling

The flashing warning beacon is activated for the duration of the alarm. It can either be connected to an intercom station or the control exchange unit in order to control the beacon from there.

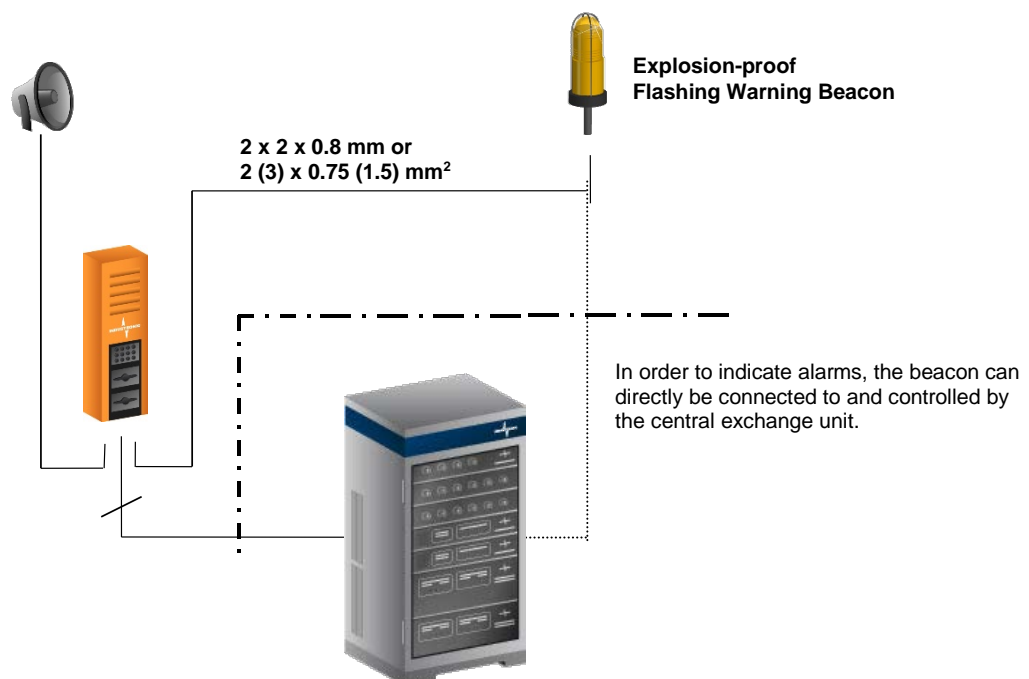


Figure 1: Application

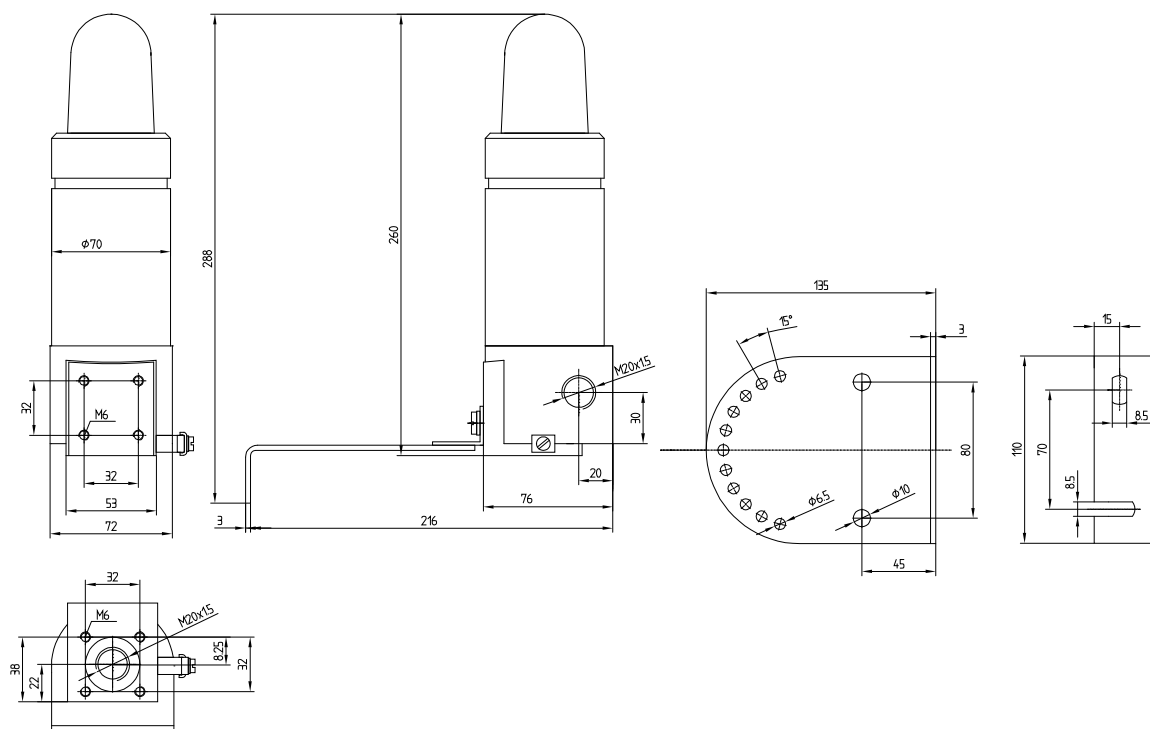


Figure 2: Dimensional drawing CWB – ATEX 60V

Mechanical Data

• Housing material	Aluminum (powder-coated)
• Hood material	Polycarbonate (PC)
• Ceiling and wall-mounting bracket	Stainless steel
• Width x height flashing warning beacon	76 mm x 260 mm (3" x 10.2")
• Width x length wall-mounting bracket	110 mm x 135 mm (4.3" x 5.3")
• Cable gland	M20 x 1.5 and M20 x 1.5 blind
• Connection	Screw terminals
• Clamping range	2 x 4 mm ² (solid), 2 x 2.5 mm ² (flexible)
• Weight	Approx. 2 kg (approx. 4.4 lbs)
• Colors	Yellow, red, orange (other colors upon request)

Electrical Data

• Operating voltage range	54 VDC to 80 VDC
• Current consumption	125 mA
• Flash energy	5 Joule
• Flash rate	1 Hz
• Service life	6 x 10 ⁶ flashes

Environmental Requirements and Standards

• Ambient temperature during operation	T6: -40 °C to +40 °C (-40 °F to 104 °F) T5: -40 °C to +50 °C (-40 °F to 122 °F)
• Protection class	Class I
• Degree of protection	IP66
• Gas explosion protection zones 1 and 2	II 2G Ex d e IIC T6 Gb Ta < +40 °C II 2G Ex d e IIC T5 Gb Ta < +50 °C
• Dust combustion protection zones 21 and 22	II 2D Ex tb IIIC T85 °C Db Ta < +40 °C II 2D Ex tb IIIC T100 °C Db Ta < +50 °C
• Certificate	LCIE 02 ATEX 6113 X

Order Data

Type	Type Number	Hood Color
CWB-ATEX 60V/YE	070-000-041/YE	Yellow
CWB-ATEX 60V/RD	070-000-041/RD	Red
CWB-ATEX 60V/OG	070-000-041/OG	Orange

INDUSTRONIC®

Industrie-Electronic GmbH & Co. KG
 Carl-Jacob-Kolb-Weg 1
 97877 Wertheim / Germany

Tel.: +49 9342 871-0
 Fax: +49 9342 871-565

info@industronic.de
 www.industronic.com