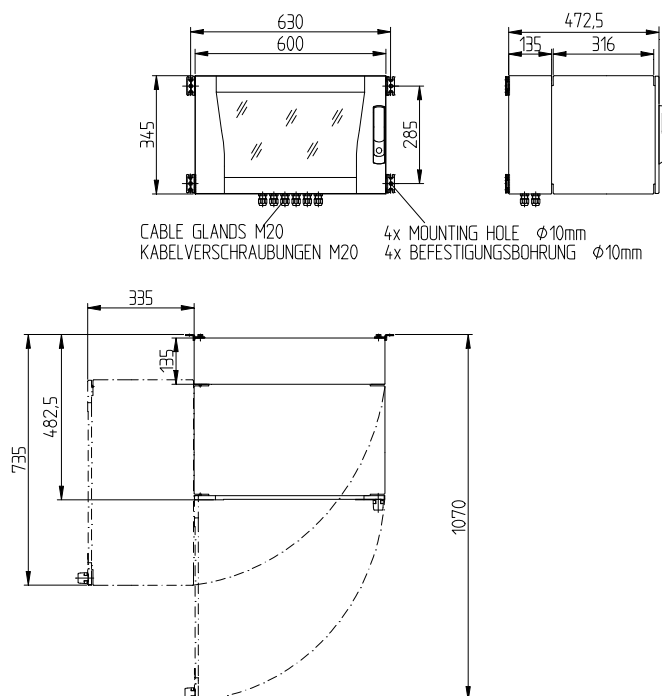


6 ZSW 02

Wall-mounted Central Exchange Cabinet 6 HU



The wall-mounted central exchange cabinet 6 ZSW 02 with six height units is used for holding the INDUSTRONIC exchange components. It consists of solid sheet-steel base box, a swivable middle section and a viewing door. The door and the middle section are stopped on the left. The connections for the periphery are in the rear panel inside the base box. The electronics are mounted in 19" middle section. Cable entry is done by means of cable glands in removable flange plates on top or bottom side of the cabinet.

Main features

- Modular design for easy maintenance
- Cable entry on top or bottom side
- Front door with safety glass
- Wall-mounting holders

Optional

- Convectional cooling
- Safety lock

Mechanical data

• Housing	Sheet steel
• Front door	Extruded aluminum with safety glass
• Height x width x depth	345 mm x 600 mm x 472.5 mm (13 1/2" x 23 1/2" x 18 1/2")
• Curb weight	28 kg (62 lb)
• Main color	Grey (RAL 7035)
• Color of door frame	Grey (RAL 7035)
• Thickness of sheet steel	1.5 mm (1/4")
• Mounting size for electronics	19", 6 HU
• Opening angle of the door	120°

Environmental requirements and standards

• Ambient temperature	0 °C to +40 °C (32 °F to 104 °F)
• Degree of protection	IP55 acc. to EN 60529

INDUSTRONIC®

Industrie-Electronic GmbH & Co. KG
 Carl-Jacob-Kolb-Weg 1
 97877 Wertheim / Germany

Tel.: +49 9342 871-0
 Fax: +49 9342 871-565

info@industronic.de
 www.industronic.com