

# 1 DXH 01

## Ex Handset with Cradle



### Features and Functions

- Lightweight, handy and easy to operate
- Reliable fixture
- Degree of protection IP66
- Duplex or half-duplex operation

The 1 DXH 01 handset is designed to be connected to the DX 0x4 / HS and DXE 0x5 digital explosion-proof intercom stations. The handset is lightweight and has excellent sound quality.

#### Approval:

TÜV 11 ATEX 079072

#### Type of protection

Ex ib IIC T4

#### Equipment category:

 II 2G

#### Explanation:

- Ex** According to EN 60079
- Ib** Intrinsically safe category b
- IIC** Most ignitable gas group
- T4** Surface temperature <135 °C (<275 °F)

#### Components

- Handset fixture with lock
- Stainless steel armored handset cord
- Connection Cable

#### Mechanical Data

- |                          |  |
|--------------------------|--|
| • Height x width x depth | 221 mm x 154 mm x 105 mm<br>(8.7" x 6.1" x 4.1") |
| • Cable glands           | M12, Ø 4 to 7 mm (0.28")                         |
| • Weight                 | ca. 1.5 kg (approx. 3.3 lbs)                     |
| • Color                  | Black  |

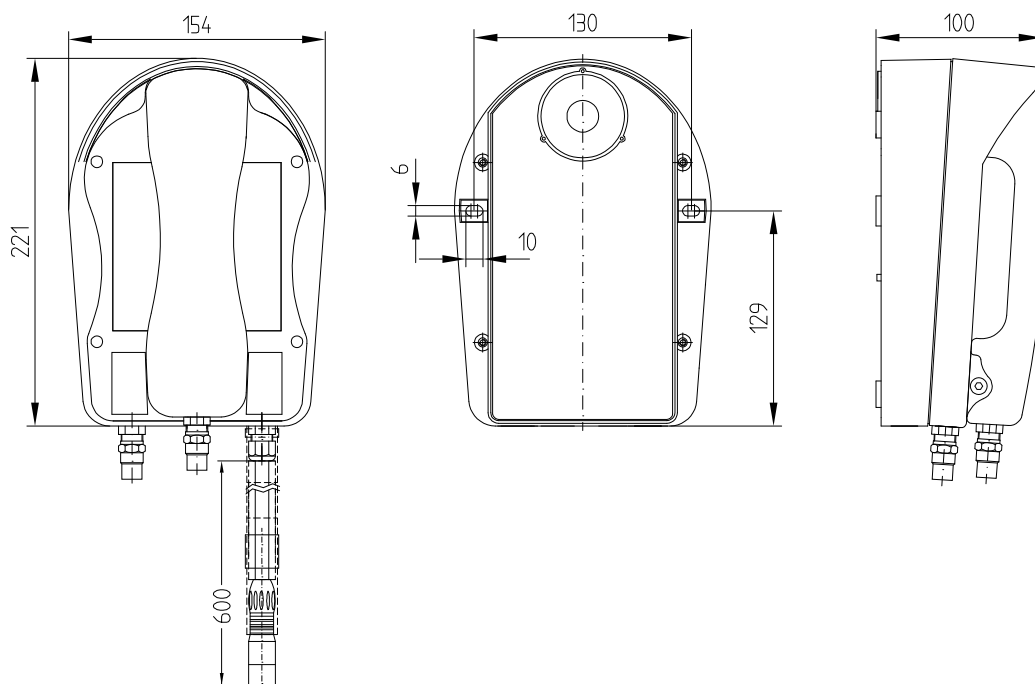


Fig. 1: Dimensional drawing 1 DXH 01

#### Electrical Data

• Max. input voltage	9 V
• Max. input current	1.2 A
• Max. input power	1 W
• Microphone type	Electret
• Receiver inset	Dynamic
• Input level	0 dB / 200 Ohm

#### Environmental Requirements and Standards

• Ambient temperature during operation	-20 °C to +55 °C (-4 °F to +131 °F)
• Humidity	Max. 95 %
• Degree of protection	IP66
• EMC	IEC/EN 61000-6-2, IEC/EN 61000-6-4
• Max. ambient noise level	100 dB

#### Order Data

#### Type Number

301-432-500

#### INDUSTRONIC®

Industrie-Electronic GmbH & Co. KG  
Carl-Jacob-Kolb-Weg 1  
97877 Wertheim / Germany

Tel.: +49 9342 871-0  
Fax: +49 9342 871-565

info@industronic.de  
www.industronic.com

Subject to technical modifications