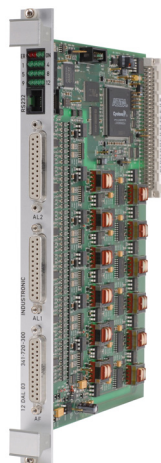


## 12 DAL 03

### Linecard for 12 Analog Intercom Stations



#### Main features

- Management of up to 12 analog intercom stations
- Management of 48 line inputs / outputs
- Protected line outputs against short circuits and overvoltage
- Blinking LED indicates an outgoing AF signal
- Shining LED indicates an AF source
- Red LED indicates failures
- Hot swapping of the linecard

The analog linecard 12 DAL 03 is a part of the INDUSTRONIC communication and public address system with digital interfaces. It serves to receive and output AF signals as well as to read in and output 60 V line signals. Thus, it forms the interface to analog intercom stations, amplifiers, tone generators, voice memories etc. Furthermore the linecard 12 DAL 03 is controlled by the exchange control board.

#### Additional features

- Galvanic separation between transmission lines and electronics
- Digitizing of the incoming AF signals and through-connection of the PCM data to the central exchange board (and vice versa)
- Transmission of digitized AF signals to and from the exchange control board with 2 MBit/s
- HDLC interface for the communication with the exchange control board
- Watchdog reset
- Easy to service connection of intercom stations by three 25-pin Sub-D plugs at the front plate
- Storage of the connection diagram for the connected intercom stations

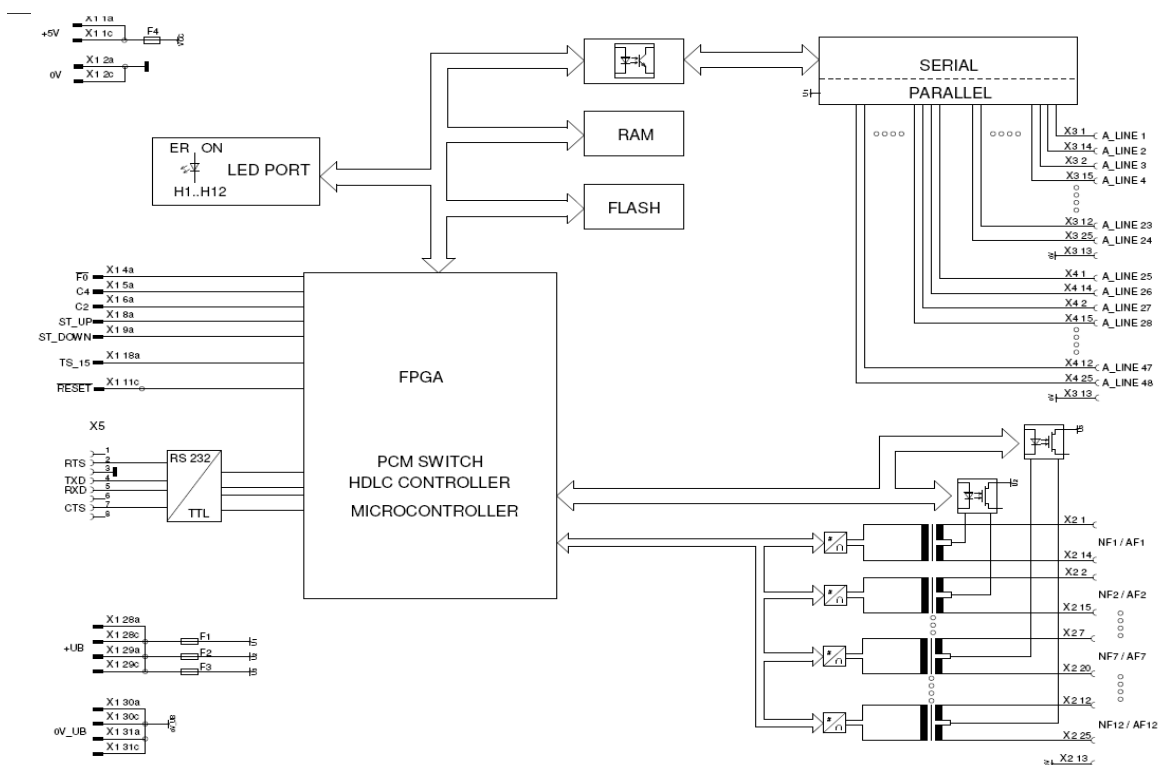


Figure 1: Circuit diagram 12 DAL 03

### Mechanical data

- |                                 |                                      |
|---------------------------------|--------------------------------------|
| • Height x depth                | 233 mm x 160 mm<br>(9 1/4" x 6 1/4") |
| • Dimensions of the front plate | 6 RU, 4 HP                           |
| • Weight                        | ca. 0.8 kg<br>(approx. 2 lb)         |
| • Plug types                    | PC612-C64 / Sub-D 25                 |

### Electrical data

- |  |  |
|--|--|
| • Operating voltage of the control electronics       | 5 V                                      |
| • Current consumption                                | 0.3 A                                    |
| • Program memory                                     | Flash-EPROM, 8 MB                        |
| • Main memory  | 512 kByte RAM                            |
| • AF input voltage                                   | 0 V <sub>SS</sub> to 3.5 V <sub>SS</sub> |
| • Input impedance                                    | ca. 5.000 ohm                            |
| • AF output voltage                                  | 0 V <sub>SS</sub> to 3.5 V <sub>SS</sub> |
| • Output impedance                                   | 300 ohm                                  |
| • Operating voltage of peripherals                   | 48 V to 72 V                             |
| • Max. current via central tapping of AF transformer | 350 mA                                   |
| • Max. total current per 8 lines                     | 350 mA                                   |
| • Min. input voltage to detect a line as active      | 38 V                                     |

---

**Environmental requirements and standards**

• Ambient temperature during operation	-5 °C to +50 °C (23°F to 122 °F)
• Relative humidity (non-condensing)	Max. 95 %
• EMC	IEC / EN 61000-6-2 IEC / EN 61000-6-4

**INDUSTRONIC®**

Industrie-Electronic GmbH & Co. KG  
 Carl-Jacob-Kolb-Weg 1  
 97877 Wertheim / Germany

Tel.: +49 9342 871-0  
 Fax: +49 9342 871-565

info@industronic.de  
 www.industronic.com