



HP 10 T 25 W HORN SPEAKER

WEATHER-PROOF AND RUST-PROOF

The compact weather-proof horn speaker is ideal for harsh and challenging environments and extreme temperatures. The M20 cable gland protects against the ingress of dust and water. It is mounted using the U bracket.



- Small form factor
- Ideal for use in outdoor areas
- Robust industrial technology
- Stable and robust design
- Weather-proof and dust-proof
- Degree of protection IP66/67

MECHANICAL DATA

Housing / Bracket	Ronfalin C110 (PC+ABS)
Diameter x depth	139 mm x 200 mm (5.47" x 7.87")
Connection	Screw terminal
Weight	1.1 kg (2.43 lbs)
Color	Light gray (RAL 7035)
Mounting	Bracket

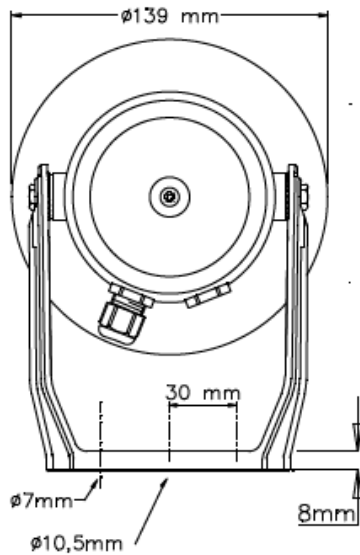
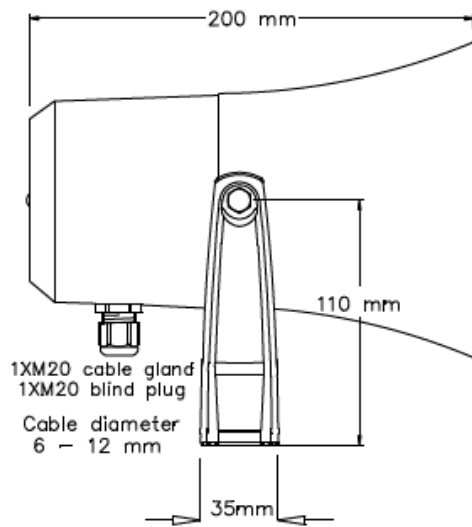
ELECTRICAL DATA

Rated power	25 W
Transformer tapplings	100 V: 25 W / 14.5 W / 9.5 W / 8 W / 4 W / 2.4 W
Sound pressure level 1 W, 1 m (3.28 ft)	107 dB (+/-3 dB)
Sound pressure level 25 W, 1 m (3.28 ft)	121 dB (+/-3 dB)
Effective frequency range	370 Hz to 12,000 Hz
Dispersion angle (-6 dB)	1 kHz: 155°, 4 kHz: 52°

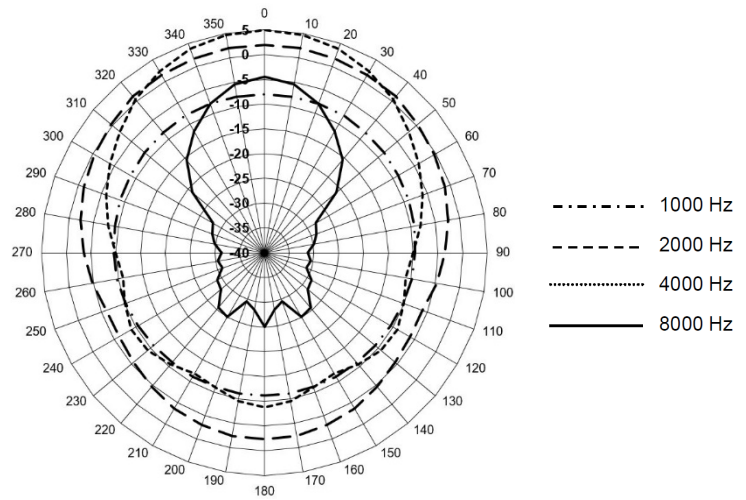
ENVIRONMENTAL REQUIREMENTS AND STANDARDS

Ambient temperature during operation	-50 °C to +90 °C (-58 °F to +194 °F)
Relative humidity (non-condensing)	Max. 95 %
Degree of protection	IP66/67

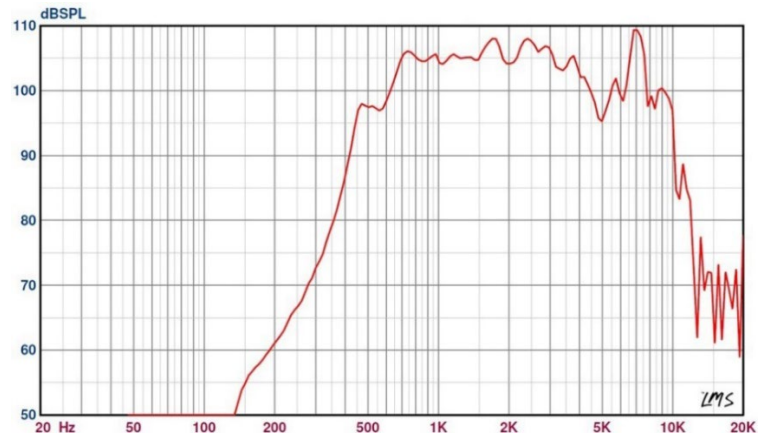
DIMENSIONS



POLAR DIAGRAMM



FREQUENCY DIAGRAMM



MEASUREMENT CONDITIONS

Sound pressure level (SPL) 1 W / 1 m (3.28 ft)

Pink noise 1/3 octave filter

Zero level in frequency response 50 dB

Range 60 dB

SOUND PRESSURE LEVEL RELATED TO DISTANCE

P_{max} 25 W	Level (dB) at	(-6 dB)	(-16 dB)	(-22 dB)	(-26 dB)	
	1 m (3.28 ft)	2 m (6.56 ft)	6 m (19.69 ft)	12 m (39.37 ft)	20 m (65.62 ft)	
		121	115	105	99	95

ORDER DATA

Type number 001-225-057

© INDUSTRIONIC