



DSP 15 25W EExmNLT (IIC) SPEAKER

EXPLOSION-PROOF HORN SPEAKER

The speaker is especially designed for use in hazardous and noisy areas. The connection cable is inserted via an Ex cable gland.

The power adjustment is carried out on the primary side of the 100 V transformer



- Explosion-proof for zone 1, 2, 21 and 22
- Robust industrial technology
- Stable and resistant design
- Stainless steel bracket
- Degree of protection IP66/IP67

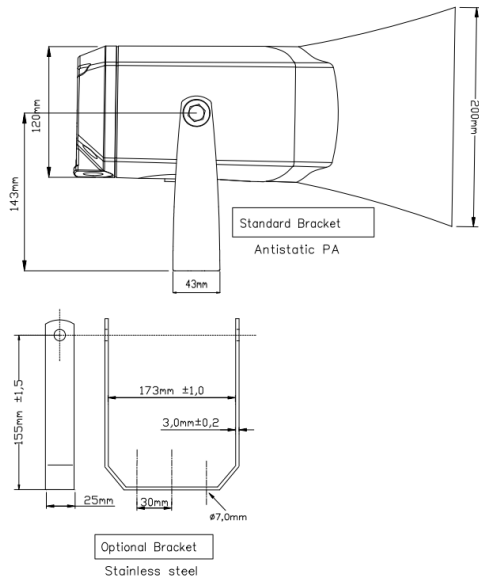
MECHANICAL DATA

Housing	Anti-static polyamide
Width x length	170 mm x 348 mm (6.69" x 13.70")
Horn dimensions	275 mm x 200 mm (10.82" x 7.87")
Cable entries	2 x M20 x 1.5
Cable gland	1 x M20, 1 x M20 stopping plug
Connection	Push terminals
Weight	2.8 kg (6.17 lbs)
Color	Black (RAL 9005)
Mounting	Stainless steel bracket

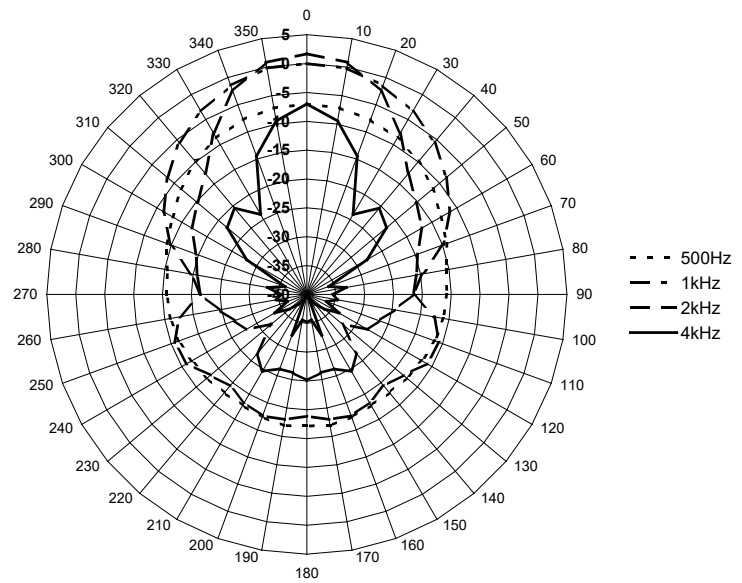
ELECTRICAL DATA

Rated power	25 W
Transformer tapplings	100 V: 25 W / 15 W / 6.5 W / 5 W / 2.5 W / 1.5 W
Sound pressure level 1 W, 1 m (3.28 ft)	106 dB (+/-3 dB)
Sound pressure level 25 W, 1 m (3.28 ft)	119 dB (+/-3 dB)
Effective frequency range	400 Hz to 7,000 Hz
Dispersion angle (-6 dB)	1 kHz: 73° / 4 kHz: 33°

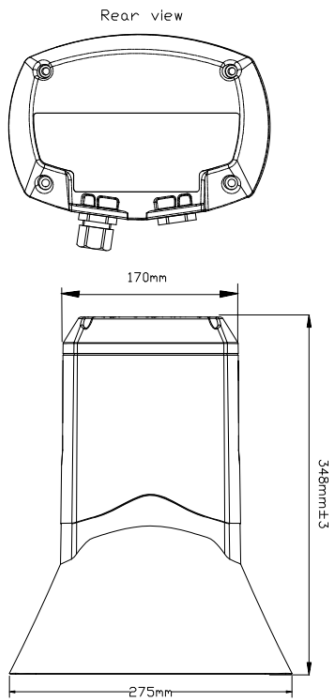
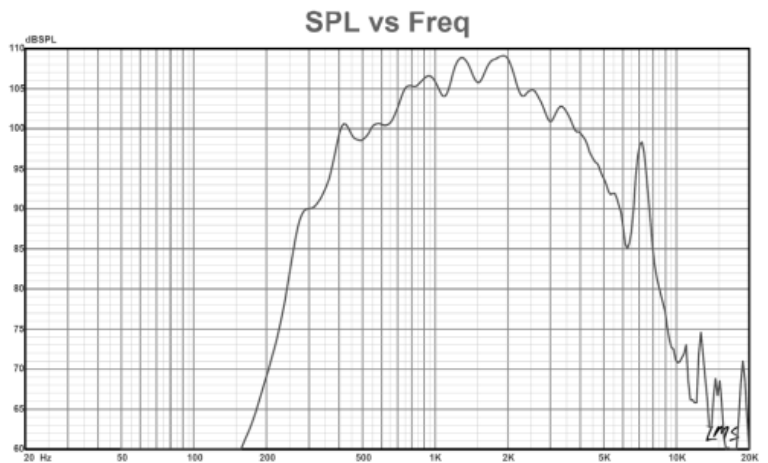
DIMENSIONS



POLAR DIAGRAMM



FREQUENCY DIAGRAMM



MEASUREMENT CONDITIONS

Sound pressure level (SPL)	1 W / 1 m (3.28 ft)
Pink noise	1/3 octave filter
Zero level in frequency response	60 dB
Range	50 dB

SOUND PRESSURE LEVEL RELATED TO DISTANCE

P_{\max} 25 W	Level (dB) at	(-6 dB)	(-20 dB)	(-28 dB)	(-36 dB)	
	1 m (3.28 ft)	2 m (6.56 ft)	10 m (32.81 ft)	25 m (82.02 ft)	65 m (213.25 ft)	
		119	113	99	91	83

ENVIRONMENTAL REQUIREMENTS AND STANDARDS

Ambient temperature during operation	-50 °C to +60 °C (-58 °F to +140 °F)
Relative humidity (non-condensing)	Max. 95 %
Degree of protection	IP66, IP67
Approvals	IECEX, ATEX, GOST, CQST, INMETRO
Markings	IECEX: Ex db eb mb IIC T4 Gb Ex tb IIIC T105° Db ATEX: Ex II 2G Ex db eb mb IIC T4 Gb Ex II 2D Ex tb IIIC T105°C Db

ORDER DATA

Type Number	001-225-049
--------------------	-------------

© INDUSTRONIC