

DSP 15 25W EExmNLT (IIC)

Explosions-proof Horn Speaker



Features and Functions

- Explosion-proof for zone 1, 2, 21 & 22
- Robust industrial technology
- Stable and resistant design
- Stainless steel bracket
- Degree of protection IP66 & IP67

The explosion-proof horn loudspeakers of the DSP 15 25W EExmNLT (IIC) series are used together with the INDUSTRONIC communication and public address system. They are especially designed for use in hazardous and noisy areas. The connection cable is inserted via an Ex e cable gland. The power adjustment is carried out on the primary side of the 100 V transformer.

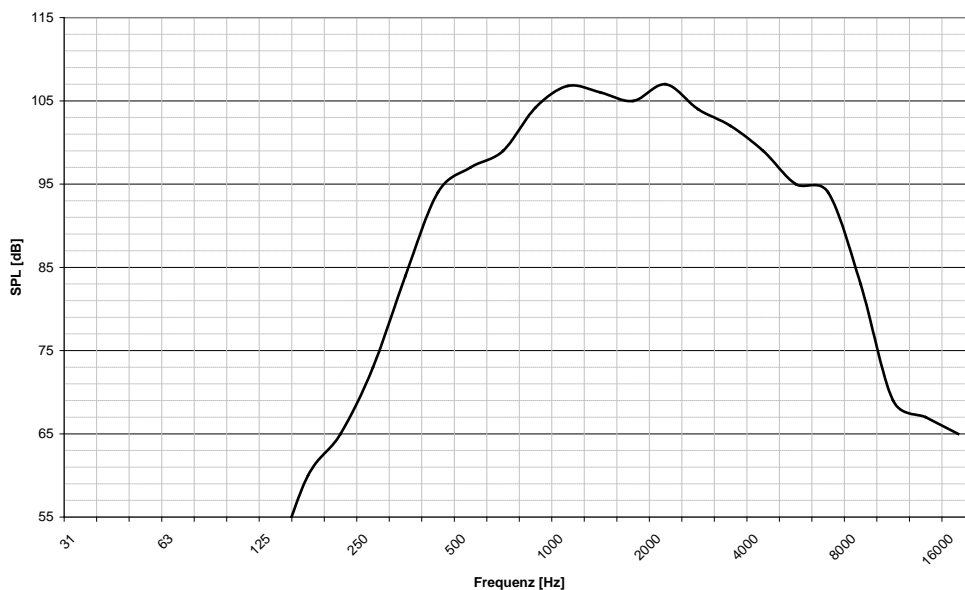
Mechanical Data

• Housing	Anti-static plastic
• Width x length	170 mm x 348 mm (66.9" x 137")
• Horn dimensions	275 mm x 200 mm (108.3" x 78.7")
• Cable entries	2 x M20 x 1.5
• Cable gland	1 x M20, Plastic
• Connection	Dual terminals
• Weight	2.8 kg (6.2 lbs)
• Color	Black
• Mounting	Stainless steel bracket

Electrical Data

• Nominal load	25 W
• Transformer	100 V: 25 W / 15 W / 6.5 W / 5 W / 2.5 W / 1.5 W
• Sound pressure level 1 W, 1 m (3.3 ft)	106 dB +/- 3 dB
• Sound pressure level 25 W, 1 m (3.3 ft)	119 dB +/- 3 dB
• Frequency range	400 Hz to 7,000 Hz
• Dispersion (-6 dB)	1 kHz: 73° / 4 kHz: 33°

Frequency Diagram



Measurement Conditions

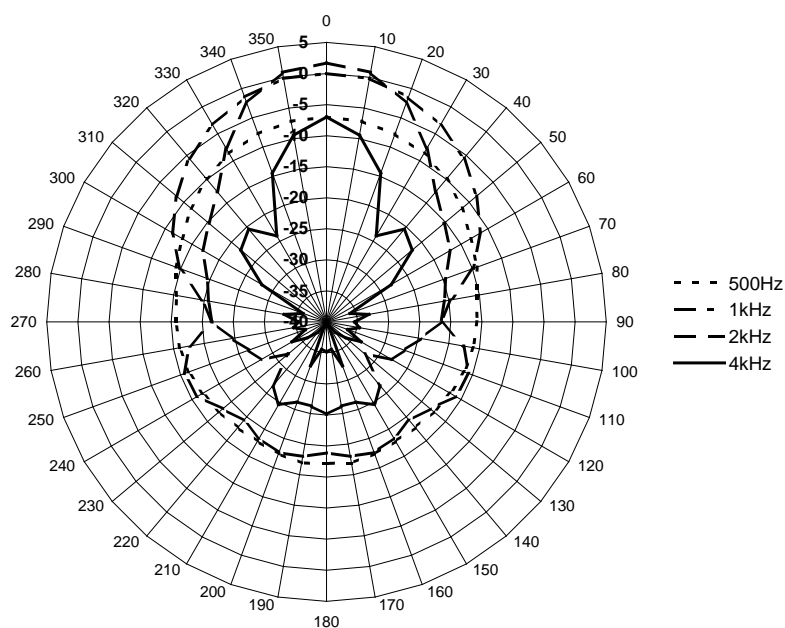
Sound pressure level (SPL): 1 W / 1 m (3.3 ft)

Pink noise: 1/3 octave filter

Output Level Related to Distance

P _{max} 25 W	Level (dB) at	(-6 dB)	(-14 dB)	(-20 dB)	(-23 dB)	(-26 dB)	(-28 dB)	(-29 dB)	(-36 dB)	
		1 m (3.3 ft)	2 m (6.6 ft)	5 m (16.4 ft)	10 m (32.8 ft)	15 m (49.2 ft)	20 m (65.6 ft)	25 m (82 ft)	30 m (98.4 ft)	65 m (213.3 ft)
		119	113	105	99	96	93	91	90	83

Polar Diagram



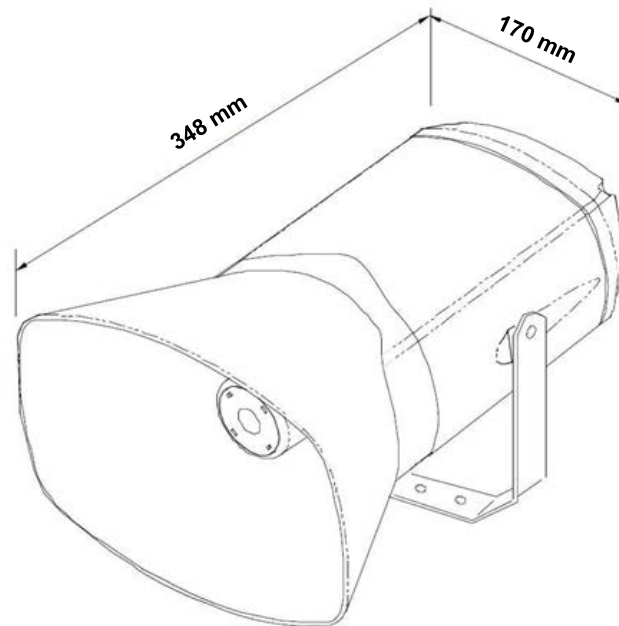


Fig. 1: Dimensional drawing DSP 15 25W EExmNLT (IIC)

Environmental Requirements and Standards

• Ambient temperature during operation	-50 °C to +60 °C (-58 °F to +140 °F)
• Relative humidity (non-condensing)	Max. 95 %
• Degree of protection	IP66, IP67
• Approval	ATEX, GOST, CQST, IECEX, INMETRO
• Markings	Ex II 2G Ex d e mb IIC T4 Gb, Ex II 2D Ex tb IIIC T105°C

Order Data

Type Number

001-225-049

INDUSTRONIC®

Industrie-Electronic GmbH & Co. KG
Carl-Jacob-Kolb-Weg 1
97877 Wertheim / Germany

Tel.: +49 9342 871-0
Fax: +49 9342 871-565

info@industronic.de
www.industronic.com

Subject to technical modifications