



DSP 15 25W EExmNT (IIC)

SPEAKER

EXPLOSION-PROOF HORN SPEAKER

The speaker is especially designed for use in hazardous and noisy areas.

The connection cable is inserted into the Ex e terminal compartment via an Ex cable gland. The power adjustment is carried out via different tapings on the primary side of the 100 V transformer.



- Explosion-proof for Zone 1, 2, 21 and 22
- UL Explosion-proof for Class I Zone 1 AEx and Zone 21 AEx
- CSA Explosion-proof for Ex eb mb IIB+H2/IIC and Ex tb mb IIIC
- Robust industrial technology
- Sturdy design
- Stainless steel bracket
- Light weight
- Degree of protection IP66/IP67

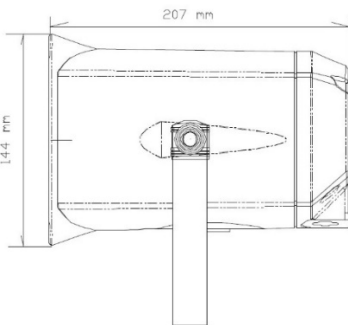
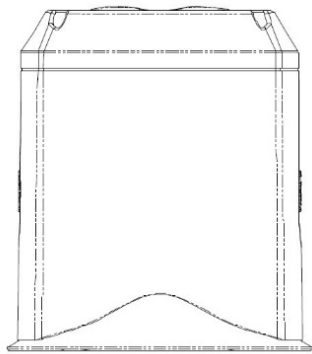
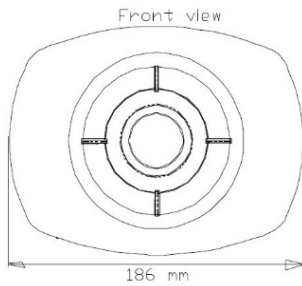
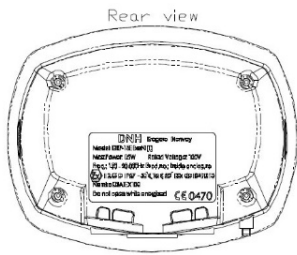
MECHANICAL DATA

Housing	Anti-static polyamide
Width x height x length	186 mm x 144 mm x 207 mm (7.32" x 5.67" x 8.15")
Cable entries	2 x M20 x 1.5
Cable gland	1 x M20, 1 x M20 stopping plug
Connection	Push terminals
Weight	Approx. 2.2 kg (4.85 lbs)
Color	Black (RAL 9005)
Mounting	Stainless steel bracket

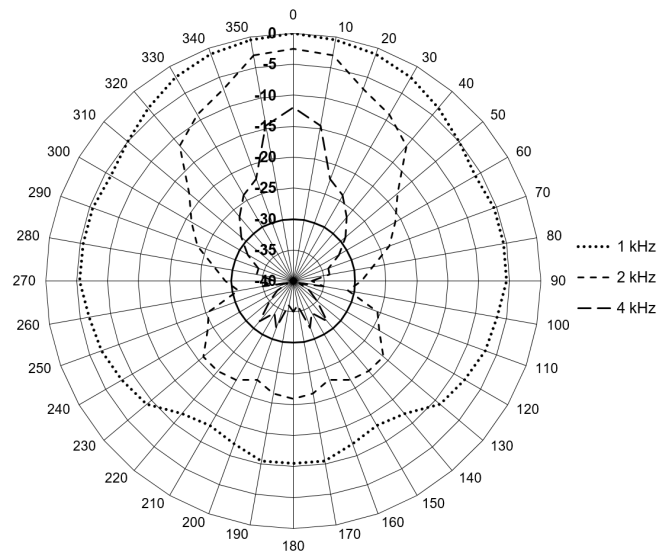
ELECTRICAL DATA

Rated power	25 W
Transformer tapings	100 V: 25 W / 15 W / 6.5 W / 5 W / 2.5 W / 1.5 W
Sound pressure level 1 W, 1 m (3.28 ft)	104 dB (+/-3 dB)
Sound pressure level 25 W, 1 m (3.28 ft)	115 dB (+/-3 dB)
Effective frequency range	450 Hz to 7,000 Hz
Dispersion angle (-6 dB)	1 kHz / 4 kHz: 105° / 35°

DIMENSIONS

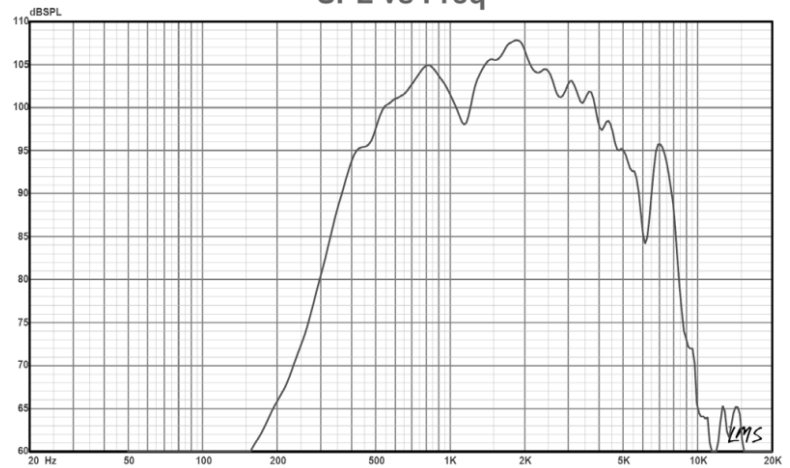


POLAR DIAGRAMM



FREQUENCY DIAGRAMM

SPL vs Freq



MEASUREMENT CONDITIONS

Sound pressure level (SPL)	1 W / 1 m (3.28 ft)
Pink noise	1/3 octave filter
Zero level in frequency response	50 dB
Range	60 dB

SOUND PRESSURE LEVEL RELATED TO DISTANCE

P_{max} 25 W	Level (dB) at	(-6 dB)	(-20 dB)	(-28 dB)	(-36 dB)	
	1 m (3.28 ft)	2 m (6.56 ft)	10 m (32.81 ft)	25 m (82.02 ft)	65 m (213.25 ft)	
		115	109	95	87	79

ENVIRONMENTAL REQUIREMENTS AND STANDARDS

Ambient temperature during operation	-50 °C to +60 °C (-58 °F to +140 °F)
Relative humidity (non-condensing)	Max. 95 %
Degree of Protection	IP66/IP67
Approvals	IECEX, ATEX, GOST, CQST, INMETRO, LC Labtest
Markings	IECEX: Ex db eb mb IIC T4 Gb Ex tb IIIC T105° Db (221 °F) ATEX : Ex II 2G Ex db eb mb IIC T4 Gb Ex II 2D Ex tb IIIC T105°C Db (221 °F) CSA : Ex db eb IIB+H2/IIC T4 Gb LC19.17779 -50°C≤Ta≤+60°C (-58 °F ≤Ta≤ 140 °F) Ex tb mb IIIC T105°C db IP66/IP67, -50°C≤Ta≤+60°C (-58 °F ≤Ta≤ 140 °F) UL : Class 1 Zone 1 AEx db eb mb IIB+H2/IIC T4 LC19A17779 Gb, -50°C≤Ta≤+60°C (-58 °F ≤Ta≤ 140 °F) Zone 21 AEx tb mb IIIC T105°C db IP66/IP67, -50°C≤Ta≤+60°C (-58 °F ≤Ta≤ 140 °F)

ORDER DATA

Type Number	001-225-048
--------------------	-------------

© INDUSTRONIC