



DSP 15 25W EExmNLT (IIB+H2)

SPEAKER

EXPLOSION-PROOF HORN SPEAKER

The speaker is especially designed for use in hazardous and noisy areas. The connection cable is inserted via an Ex e cable gland.

The power adjustment is carried out via different tappings on the primary side of the 100V transformer.



- Explosion-proof for Zone 1, 2, 21 and 22
- Robust industrial technology
- Sturdy and resistant design
- Stainless steel bracket
- Degree of protection IP66/67

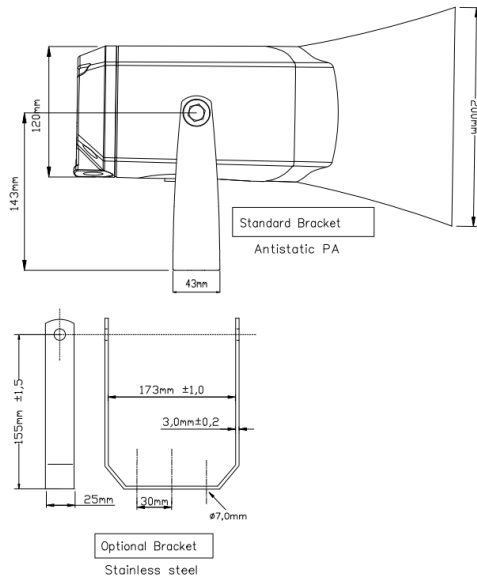
MECHANICAL DATA

Housing	Special anti-static polyamide
Width Length	170 mm x 348 mm (6.69" x 13.70")
Horn dimensions	275 mm x 200 mm (10.82" x 7.87")
Cable entries	2 x M20 x 1.5
Cable gland	1 x M20, 1 x M20 stopping plug
Connection	Push terminals
Weight	Approx. 2.8 kg (6.17 lbs)
Color	Black (RAL 9005)
Mounting	Stainless steel bracket

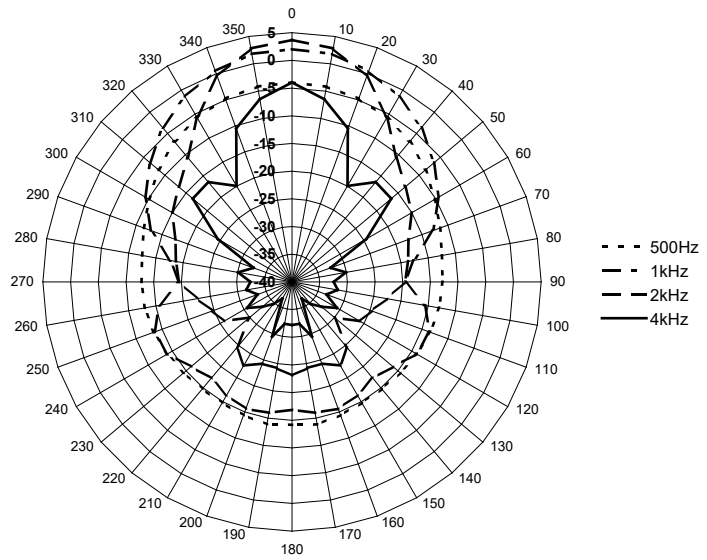
ELECTRICAL DATA

Rated power	25 W
Transformer tappings	100 V: 25 W / 15 W / 6.5 W / 5 W / 2.5 W / 1.5 W
Sound pressure level 1 W, 1 m (3.28 ft)	109 dB (+/- 3dB)
Sound pressure level 25 W, 1 m (3.28 ft)	122 dB (+/- 3dB)
Effective frequency range	380 Hz to 7,000 Hz
Dispersion angle (-6 dB)	1 kHz: 100° to 4 kHz: 30°

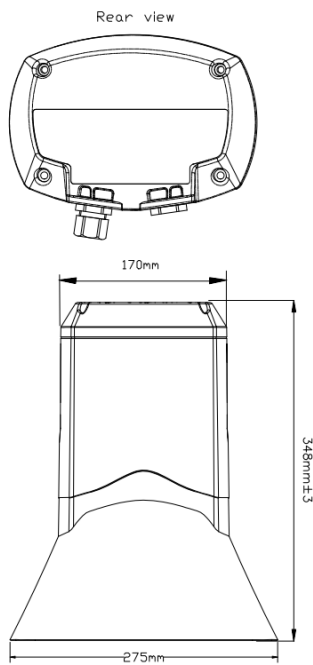
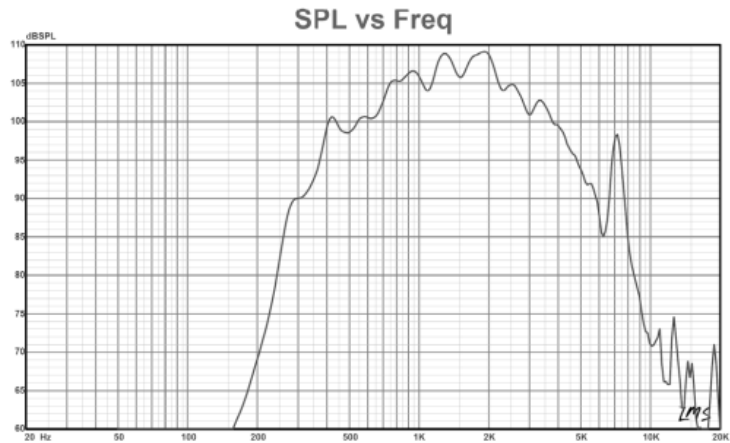
DIMENSIONS



POLAR DIAGRAMM



FREQUENCY DIAGRAMM



MEASUREMENT CONDITIONS

Sound pressure level (SPL)	1 W / 1 m (3.28 ft)
Pink noise	1/3 octave filter
Zero level in frequency response	60 dB
Range	50 dB

SOUND PRESSURE LEVEL RELATED TO DISTANCE

P_{max} 25 W	Level (dB) at	(-6dB)	(-20dB)	(-28dB)	(-36dB)	
		1 m (3.28 ft)	2 m (6.56 ft)	10 m (32.80 ft)	25 m (82.02 ft)	65 m (213.25 ft)
		122	116	102	94	86

ENVIRONMENTAL REQUIREMENTS AND STANDARDS

Ambient temperature during operation	-50°C to +60°C (-58 °F to 140 °F)
Relative humidity (non-condensing)	Max. 95 %
Degree of protection	IP66/67
Approvals	ATEX, GOST, CQST, IECEX, INMETRO
Markings	IECEX: Ex db eb mb IIB+H2 T4 Gb Ex tb IIIC T105° Db ATEX : Ex II 2G Ex db eb mb IIB+H2 T4 Gb Ex II 2D Ex tb IIIC T105°C Db

ORDER DATA

Type Number	001-225-037
--------------------	-------------

© INDUSTRONIC