



KL 25 UE SPEAKER

WEATHER-PROOF HORN SPEAKER WITH DEGREE OF PROTECTION OF IP67

The speaker is ideal for harsh and challenging environments and extreme temperatures. The M20 cable gland protects against the ingress of dust and water.



- Robust industrial technology
- Sturdy and robust design
- Degree of protection IP67
- Wide frequency range
- Sound pressure level of up to 123 dB
- Stainless steel bracket

MECHANICAL DATA

Housing	Special plastic polyamide
Diameter x depth	237 mm x 286 mm (9.33" x 11.26")
Threats	2 x M20 x 1,5
Cable gland	1 x M20 x 1.5
Connection	Screw terminals (Cable cross-section up to 2.5 mm ²)
Weight	Approx. 2.2 kg (4.85 lbs)
Color	Gray (RAL 7035)
Mounting	Stainless steel bracket

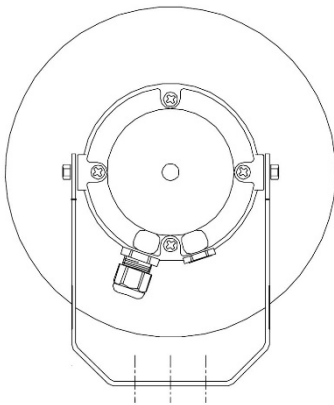
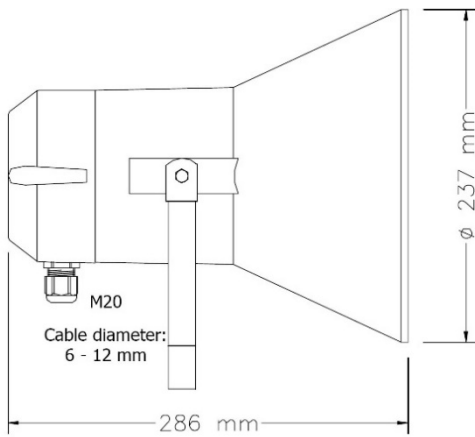
ELECTRICAL DATA

Rated power	25 W
Transformer tapings	100 V: 25 W / 12.5 W / 8 W / 7 W / 3 W / 1.7 W
Sound pressure level 1 W, 1 m (3.28 ft)	110 dB (+/- 3 dB)
Sound pressure level 25 W, 1 m (3.28 ft)	123 dB (+/- 3 dB)
Effective frequency range	310 Hz to 8000 Hz
Dispersion angle -6 dB	1 kHz: 110°, 4 kHz: 32°

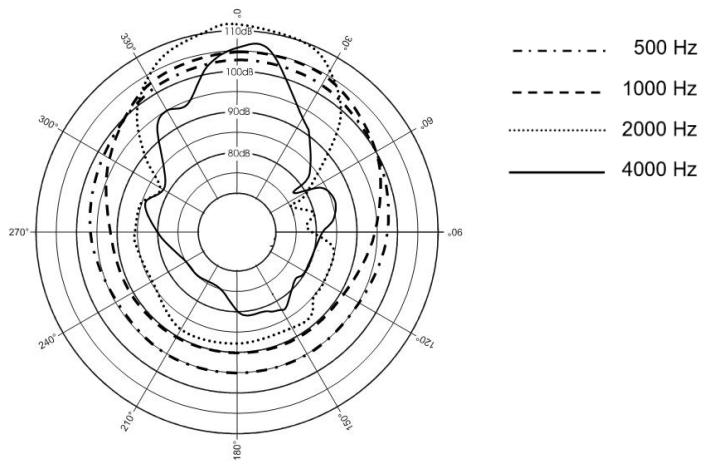
ENVIRONMENTAL REQUIREMENTS AND STANDARDS

Ambient temperature during operation	-50 °C to +110 °C (-58 °F to +230 °F)
Relative humidity (non-condensing)	Max. 95 %
Degree of protection	IP67

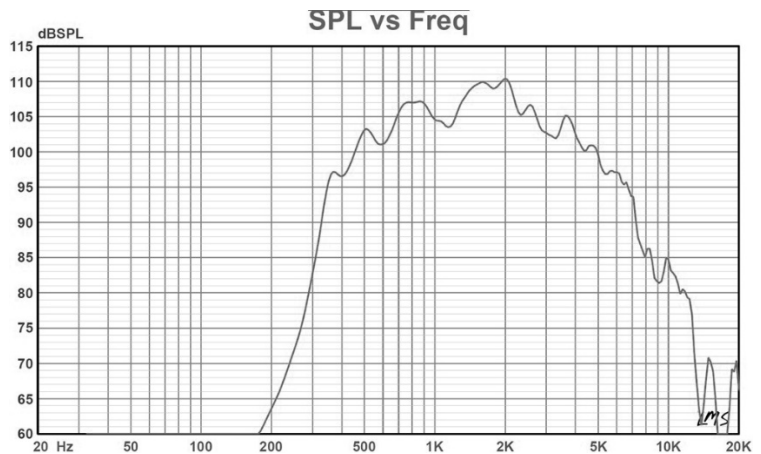
DIMENSIONS



POLAR DIAGRAMM



FREQUENCY DIAGRAMM



MEASUREMENT CONDITIONS

Sound pressure level (SPL)	1 W / 1 m (3.28 ft)
Pink noise	1/3 octave filter
Zero level in frequency response	60 dB
Range	55 dB

SOUND PRESSURE LEVEL RELATED TO DISTANCE

P _{max} 25 W	Level (dB)	(-6dB)	(-23dB)	(-28dB)	(-36dB)	
	at					
	1 m (3.28 ft)	2 m (6.56 ft)	15 m (49.21 ft)	25 m (82.02 ft)	65 m (213.25 ft)	
		123	117	100	95	87

ORDER DATA

Type number	001-225-034
-------------	-------------

© INDUSTRONIC