



HP-20 EExIINT - ATEX SPEAKER

ATEX CERTIFIED, WEATHER-PROOF HORN SPEAKER

The Ex-speaker is compact and weather-proof. The M20 cable gland protects the speaker against the ingress of dust and water.



- Explosion-proof for Zone 2 and 22
- Robust industrial technology
- Sturdy design
- Degree of protection IP67
- ATEX certification
- Stainless steel mounting bracket

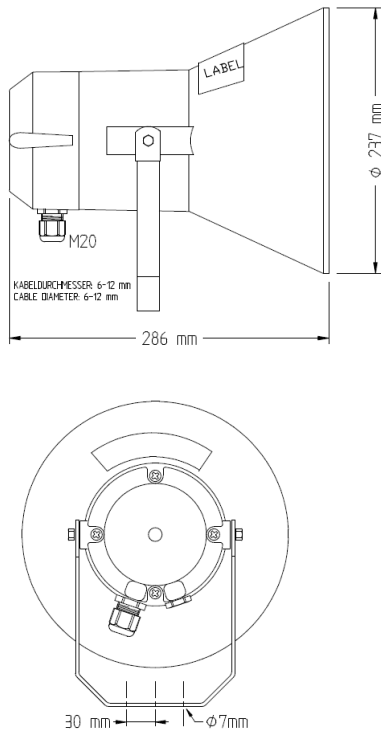
MECHANICAL DATA

Housing	Anti-static polyamid
Diameter x depth	237 mm x 286 mm (9.33" x 11.26")
Cable entries	2 x M20 x 1.5
Cable gland	1 x M20
Connection	Screw terminals
Weight	2.0 kg (4.41 lbs)
Color	Black (RAL 9005)
Mounting	Stainless steel mounting bracket

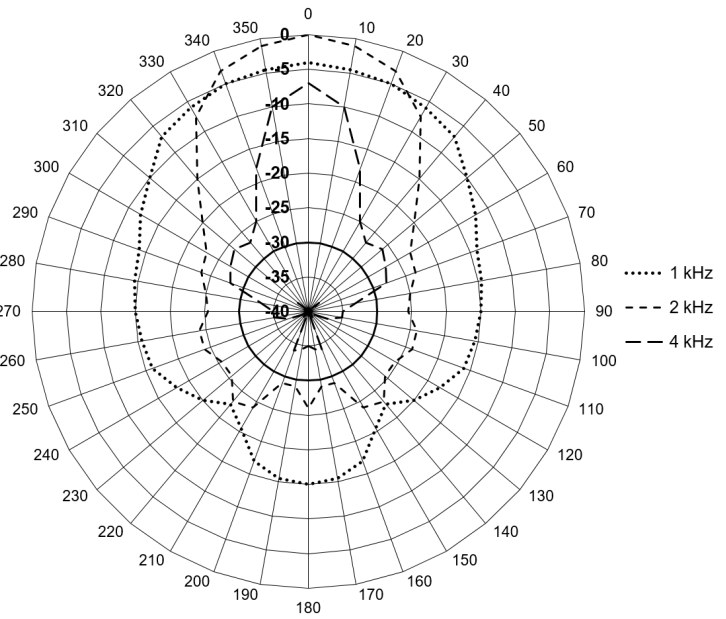
ELECTRICAL DATA

Rated power	20 W
Transformer tapplings	100 V: 20 W / 10 W / 5 W / 4 W / 2 W / 1 W
Sound pressure level 1 W, 1 m (3.28 ft)	110 dB (+/-3 dB)
Sound pressure level 20 W, 1 m (3.28 ft)	122 dB (+/-3 dB)
Effective frequency range	310 Hz to 8,000 Hz
Dispersion angle (-6 dB)	1 kHz: 115°; 4 kHz: 25°

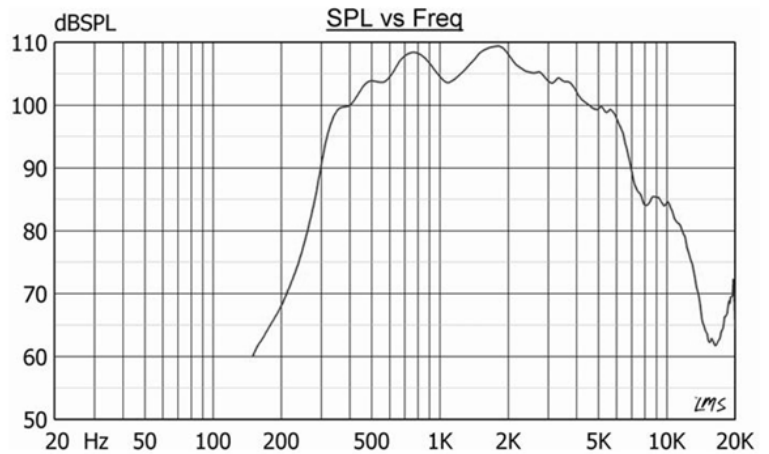
DIMENSIONS



POLAR DIAGRAMM



FREQUENCY DIAGRAMM



MEASUREMENT CONDITIONS

Sound pressure level (SPL)	1 W / 1 m (3.28 ft)
Pink noise	1/3 octave filter
Zero level in frequency response	50 dB
Range	60 dB

SOUND PRESSURE LEVEL RELATED TO DISTANCE

P_{\max} 20 W	Level (dB) at	(-6 dB)	(-20 dB)	(-28 dB)	(-36 dB)	
	1 m (3.28 ft)	2 m (6.56 ft)	10 m (32.81 ft)	25 m (82.02 ft)	65 m (213.25 ft)	
		122	116	102	94	86

ENVIRONMENTAL REQUIREMENTS AND STANDARDS

Ambient temperature during operation	-50 °C to +50 °C (-58 °F to +122 °F)
Humidity	Max. 95 %
Degree of protection	IP67
Approval	ATEX
Markings	Ex II 3 GD T94 °C Ex nA II T3, -50 °C ≤ Ta ≤ +50 °C

ORDER DATA

Type Number	001-220-010
-------------	-------------

© INDUSTRONIC