



DK 15T-EN54 HORN SPEAKER

WITH EN 54-24 SAFETY STANDARD

The speaker has a sturdy and robust design and is ideal for use in voice alarm systems due to its high safety standards.



- Weather-proof
- Robust industrial technology
- Sturdy design
- Degree of protection IP66
- Certified according to EN 54-24

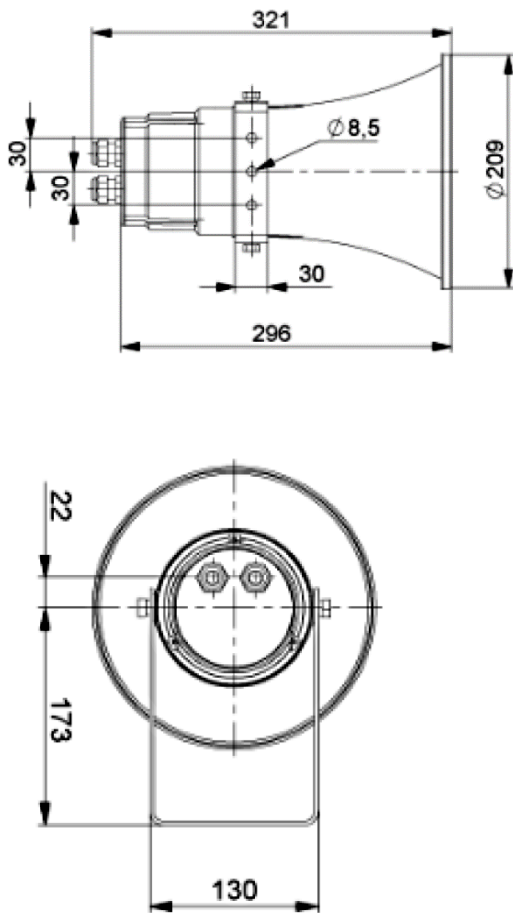
MECHANICAL DATA

Housing	ABS plastic UL94V0 certified
Diameter x length	209 mm x 321 mm (8.23" x 12.64")
Cable entry	2 x 18.6 mm (0.73")
Cable gland	2 x PG11
Connection	Ceramic screw terminals (Cable cross-section up to 2.5 mm ²)
Weight	2.1 kg (4.63 lbs)
Color	Gray (RAL 7035)
Mounting	Stainless steel bracket

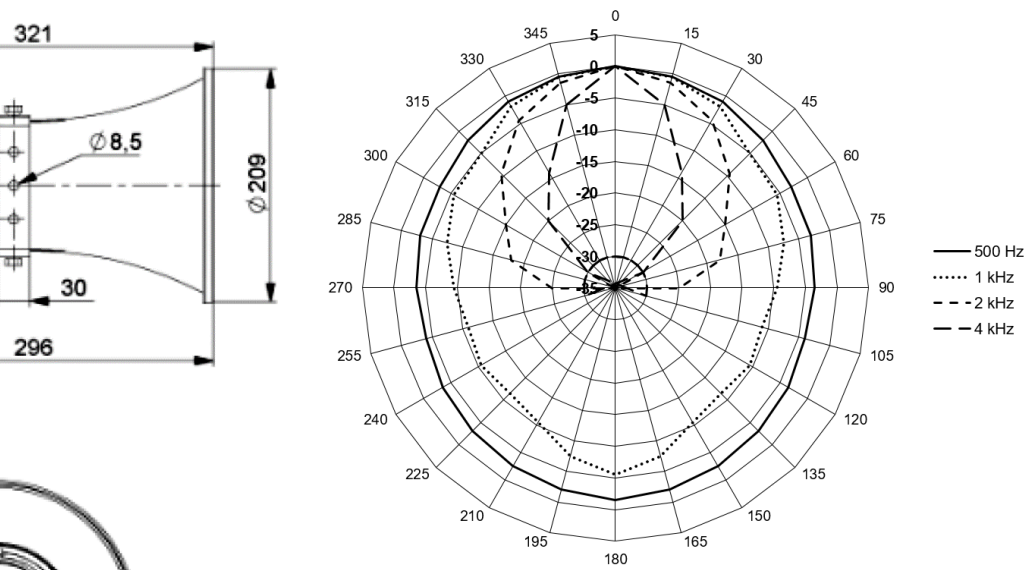
ELECTRICAL DATA

Rated power	15 W
Transformer tapings	100 V: 15 W / 7.5 W / 3.75 W / 1.87 W
Sound pressure level 1 W, 1 m (3.28 ft)	107 dB (+/-3 dB)
Sound pressure level 15 W, 1 m (3.28 ft)	119 dB (+/-3 dB)
Effective frequency range	677 Hz to 5400 Hz
Dispersion angle (-6 dB)	1 kHz: 110° (h/v) 4 kHz: 40° (h/v)

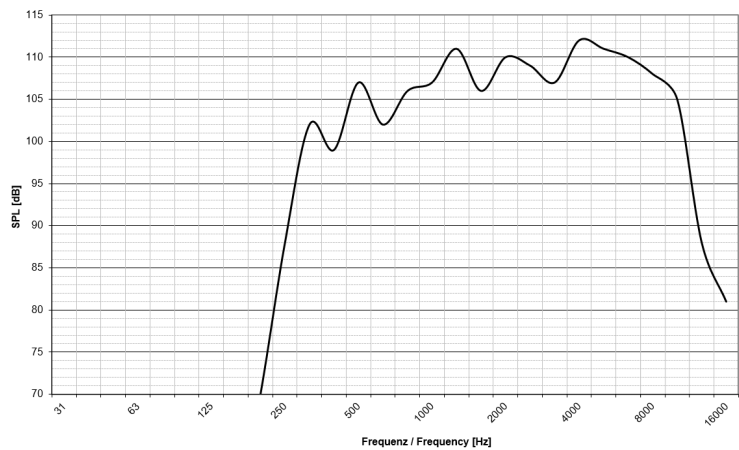
DIMENSIONS



POLAR DIAGRAM



FREQUENCY DIAGRAM



MEASUREMENT CONDITIONS

Sound pressure level (SPL)	1 W / 1 m (3.28 ft)
Pink noise	1/3 octave filter
Zero level in frequency response	70 dB
Range	45 dB

SOUND PRESSURE LEVEL RELATED TO DISTANCE

P_{\max} 15 W	Level (dB) at	(-6 dB)	(-20 dB)	(-28 dB)	(-36 dB)	
	1 m (3.28 ft)	2 m (6.56 ft)	10 m (32.81 ft)	25 m (82.02 ft)	65 m (213.25 ft)	
		119	113	99	91	83

ENVIRONMENTAL REQUIREMENTS AND STANDARDS

Ambient temperature during operation	-25 °C to +70 °C (-13 °F to 158 °F)
Relative humidity (non-condensing)	Max. 95 %
Degree of protection	IP66
Approval	EN 54-24: 2008 BS 5839, Part 8

ORDER DATA

Type number	001-215-035
-------------	-------------

© INDUSTRONIC