

# KL 15/6 UE

## Weather-proof Horn Speaker



### Features and functions

- **Sturdy and robust design**
- **Degree of protection IP67**
- **Frequency range from 330 Hz to 8 kHz**
- **Sound pressure level of up to 117 dB**
- **Stainless steel bracket**

The weather-proof horn speakers KL 15/6 UE are part of the INDUSTRONIC communication and public address systems with digital interfaces. They are especially designed for use in dusty and wet industrial areas and have a frequency range from 330 Hz up to 8 kHz. The power adjustment is carried out at the secondary side of the transformer.

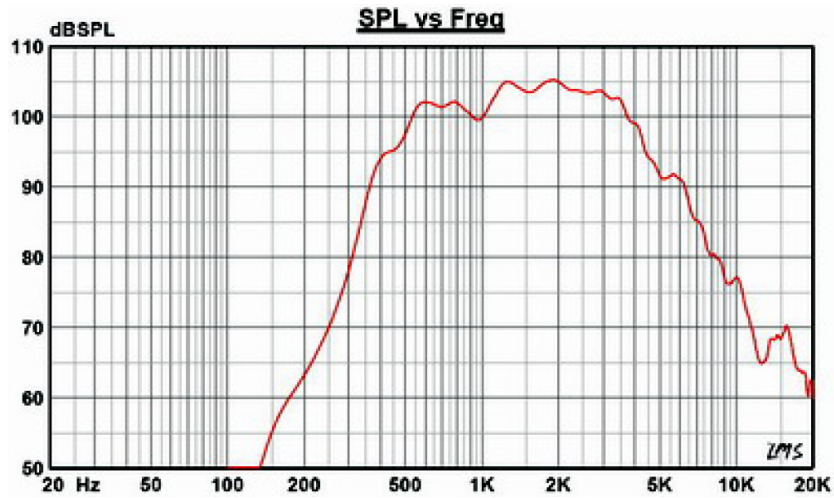
### Mechanical Data

• Housing	Special plastic
• Dimensions	186 mm x 144 mm x 207 mm (7.3" x 5.7" x 8.2")
• Cable entries	2 x M20
• Cable gland	1 x M 20
• Connection	Terminals
• Degree of protection	IP67
• Weight	Approx. 2.2 kg (approx. 4.9 lbs)
• Color	Gray, RAL 7035
• Mounting	Stainless steel bracket

### Electrical Data

• Rated power	15 W
• Transformer	100 V at 15 W / 7.5 W / 4 W / 2 W
• Sound pressure level 1 W, 1 m	106 dB +/- 3 dB
• Sound pressure level 15 W, 1 m (39.4")	117 dB +/- 3 dB
• Effective frequency range	330 Hz to 8000 Hz
• Dispersion angle - 6 dB	1 kHz: 140°, 4 kHz: 40°
• Ambient temperature	-50 °C to +90 °C (-58 °F to +194 °F)

### Frequency Diagram



### Measurement Conditions:

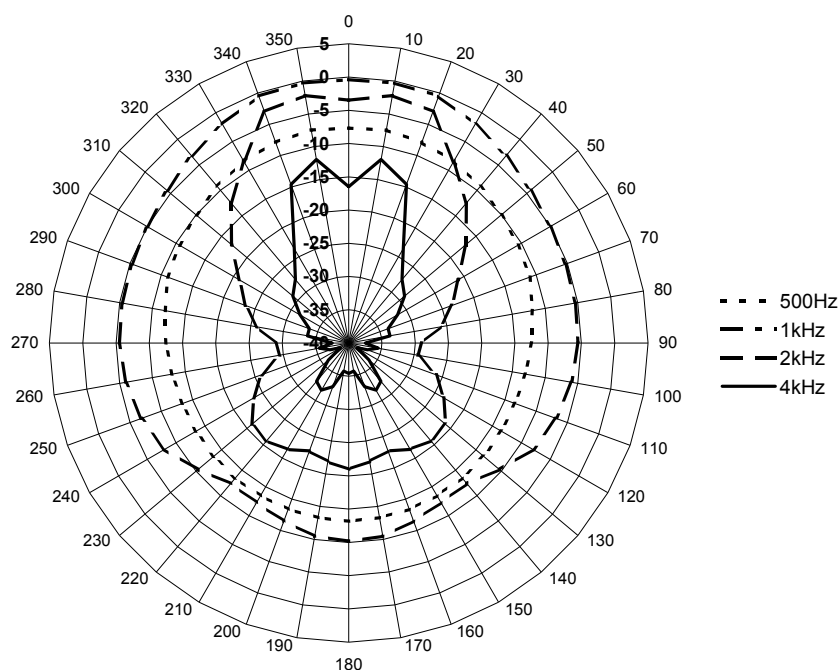
SPL: 1 W / 1 m,

Pink noise: 1/3 octave filter

### Output Level related to Distance

$P_{max}$	Level (dB) at	(-6 dB)	(-14 dB)	(-20 dB)	(-23 dB)	(-26 dB)	(-28 dB)	(-29 dB)	(-36 dB)
15 W	1 m	2 m	5 m	10 m	15 m	20 m	25 m	30 m	65 m
	117	111	103	97	94	91	89	88	81

### Polar Diagram



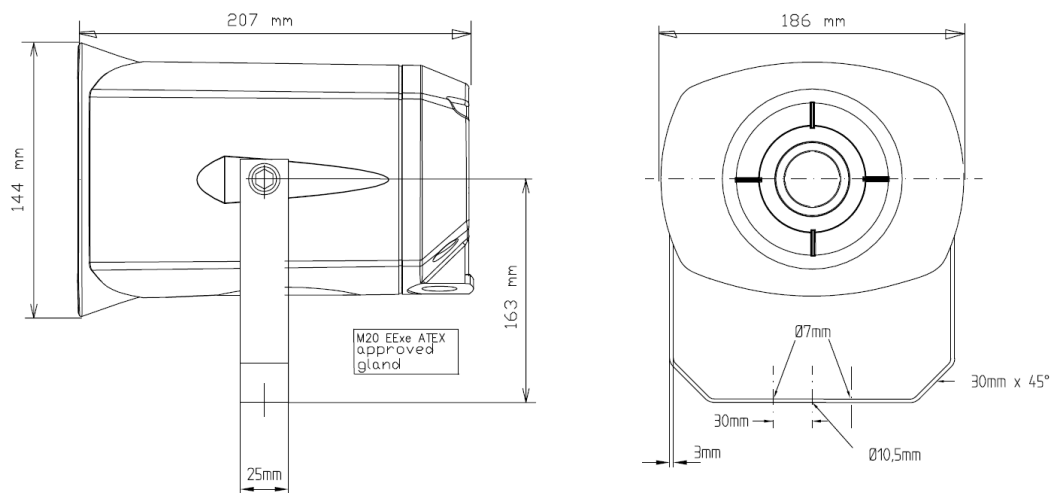


Figure 1: Dimensional drawing KL 15/6 UE

**INDUSTRONIC®**  
 Industrie-Electronic GmbH & Co. KG  
 Carl-Jacob-Kolb-Weg 1  
 97877 Wertheim / Germany

Tel.: +49 9342 871-0  
 Fax: +49 9342 871-565

info@industronic.de  
 www.industronic.com