

# HS 15 EExmNT (IIC) - ATEX

## Explosion proof horn speaker



### Main features

- Strong industry technique
- Stable and robust design
- Ingress protection IP67
- Wide temperature range

The explosion proof horn speakers from type HS 15 EExmNT (IIC) – ATEX are operated at INDUSTRONIC communication and public address system. They are ideal for critical and extreme cold surroundings.

### Mechanical data

• Housing	Aluminium
• Dimensions front, depth	Ø163 mm, 247 mm
• Cable gland	M20 x 1,5
• Ingress protection	IP67
• Weight	2,8 kg
• Colour	Grey RAL 7031
• Mounting	Stainless steel bracket

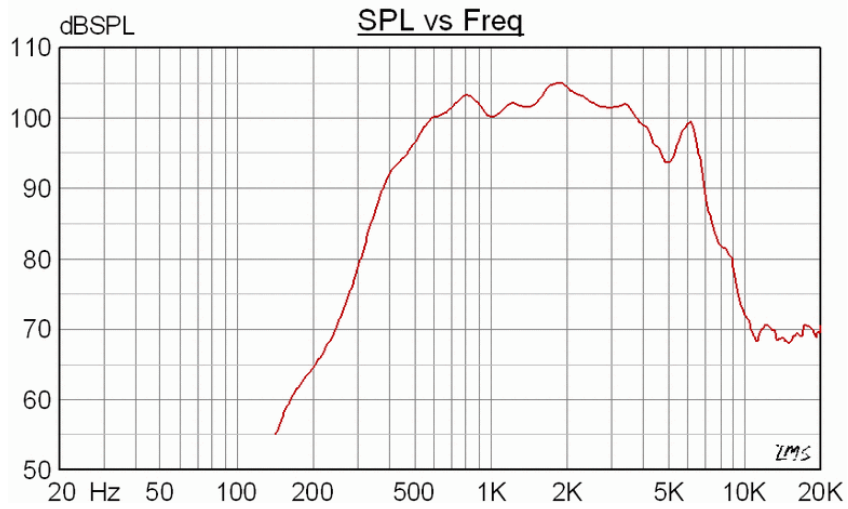
### Electrical data

• Rated power	15 W
• Transformer	100 V: 15 W / 10 W / 7,5 W / 4 W / 2,6 W / 2 W
• Sound pressure level 1 W, 1 m	101 dB
• Sound pressure level 15 W, 1 m	113 dB
• Efficient frequency range	420 Hz to 7000 Hz
• Dispersion angle -6 dB	1 kHz: 105°; 4 kHz: 35°
• Certification	Ex II 2 GD, EEx de IIC T5
• Ambient temperature	- 50 °C to + 60 °C

### Environmental requirements and standards

• Ambient temperature during operation	- 50 °C to + 60 °C
• Humidity	Max. 95 %

### Frequency diagram



### Measurement conditions

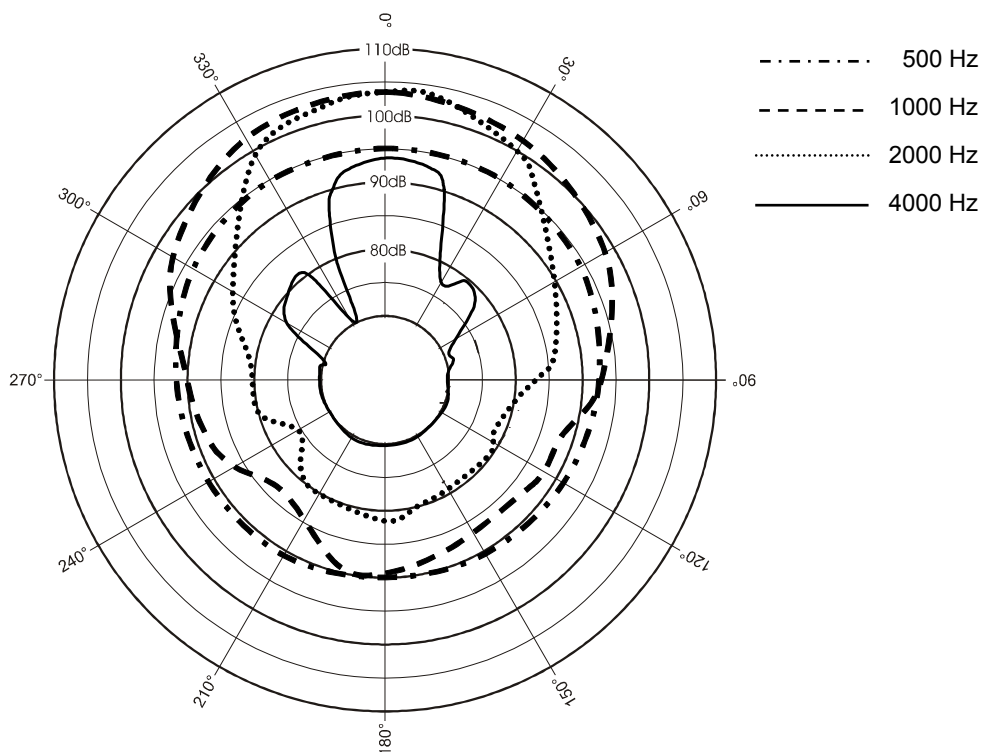
Sound pressure level (SPL): 1W / 1m

Pink noise: 1/3 octave filter

### Output level related to distance

P <sub>max</sub> : 15 W	Level (dB) at	(-6dB)	(-14dB)	(-20dB)	(-23dB)	(-26dB)	(-28dB)	(-29dB)	(-36dB)	
		1 m	2 m	5 m	10 m	15 m	20 m	25 m	30 m	65 m
		113	107	99	93	90	87	85	84	77

### Polar diagram



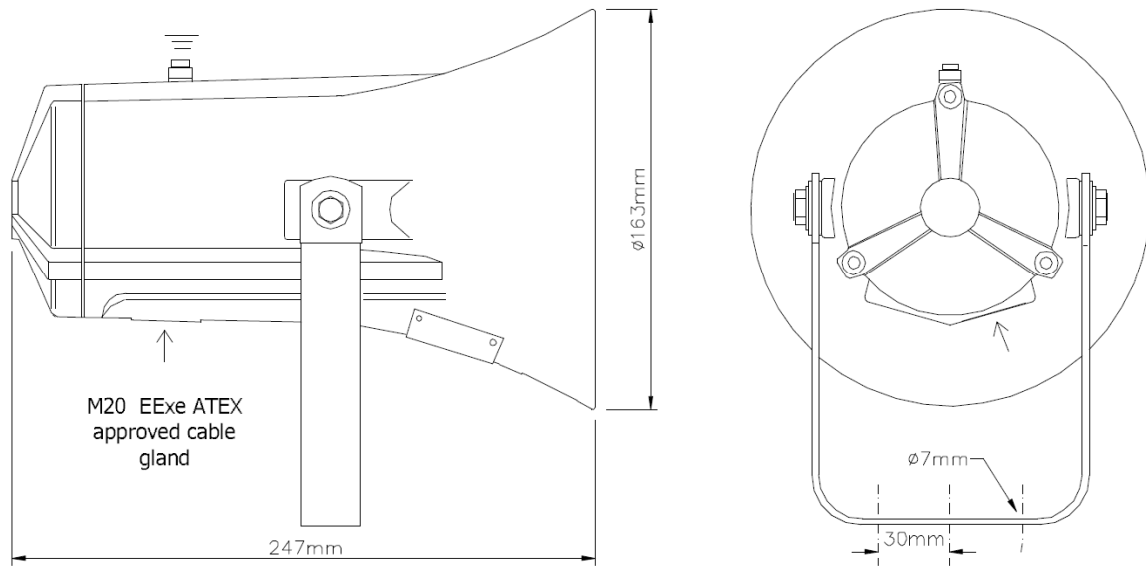


Figure 1: Dimensional drawing HS 15 EExmNT (IIC) - ATEX

**INDUSTRONIC®**

Industrie-Electronic GmbH & Co. KG  
 Carl-Jacob-Kolb-Weg 1  
 97877 Wertheim / Germany

Tel.: +49 9342 871-0  
 Fax: +49 9342 871-565

info@industronic.de  
 www.industronic.com

Subject to technical modifications