



TSC10 300-EN54

LINE SPEAKER

10 WATTS

WITH EN 54-24 SAFETY STANDARD

The speaker has a sturdy and robust design and is ideal for use in voice alarm systems due to its high safety standards.



- Robust industrial technology
- Sturdy design
- Aluminum housing
- Good speech intelligibility
- Speaker for indoor and outdoor use
- Certified according to EN 54-24

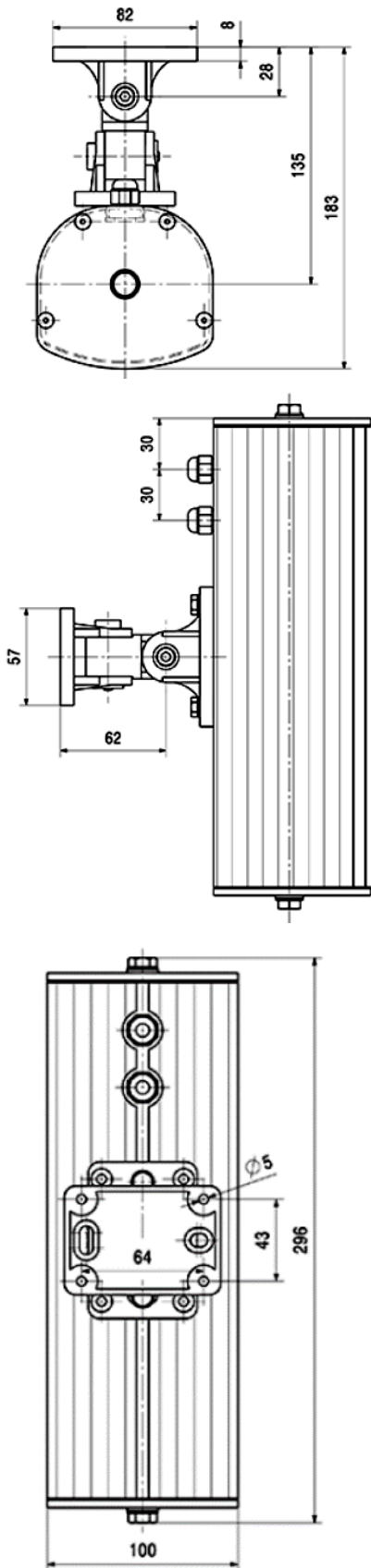
MECHANICAL DATA

| | |
|------------------------|---|
| Housing | Aluminum |
| Width x height x depth | 296 mm x 100 mm x 183 mm (11.65" x 3.94" x 7.20") |
| Cable entry | 2 x 15.2 mm (0.60") |
| Cable gland | 2 x PG9 |
| Connection | Ceramic screw terminals (Cable cross-section up to 2.5 mm ²) |
| Weight | 1.7 kg (3.75 lbs) |
| Color | White aluminum (RAL 9006) |
| Mounting | Swivel joint |

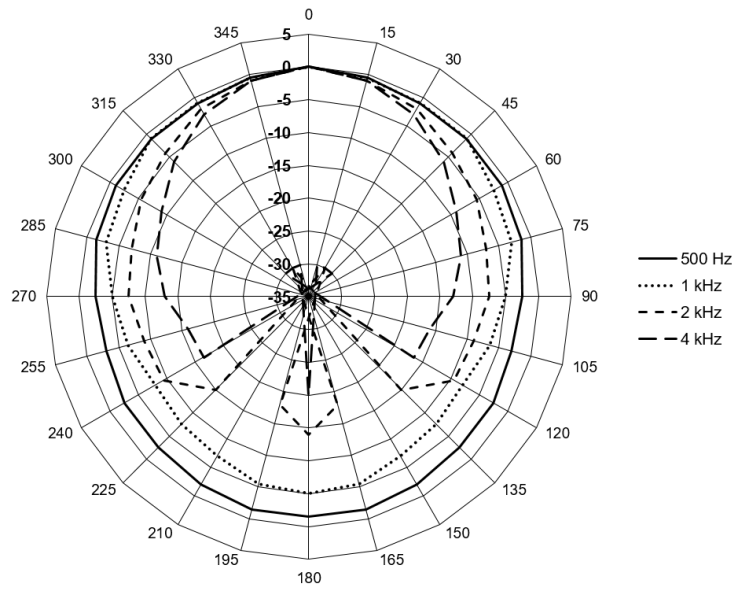
ELEKTRCAL DATA

| | |
|---|--|
| Rated power | 10 W |
| Transformer | 100 V: 10 W / 6 W / 3 W / 1.5 W |
| Sound pressure level 1 W, 1 m (3.28 ft) | 95 dB (+/-3 dB) |
| Sound pressure level 10 W, 1 m (3.28 ft) | 105 dB (+/-3 dB) |
| Frequency response | 210 Hz to 177 kHz |
| Dispersion angle (-6 dB) | 1 kHz: 187° (h); 108° (v) 4 kHz: 91° (h); 32° (v) |

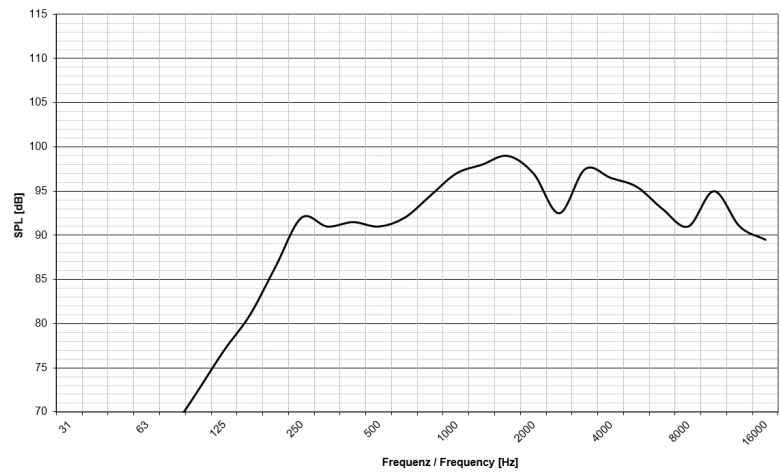
DIMENSIONS



POLAR DIAGRAM



FREQUENCY DIAGRAM



MEASUREMENT CONDITIONS

| | |
|----------------------------------|---------------------|
| Sound pressure level (SPL) | 1 W / 1 m (3.28 ft) |
| Pink noise | 1/3 octave filter |
| Zero level in frequency response | 70 dB |
| Range | 45 dB |

SOUND PRESSURE LEVEL RELATED TO DISTANCE

| P_{max} 10 W | Level (dB) at | (-6 dB) | (-20 dB) | (-28 dB) | (-36 dB) | |
|-------------------|------------------|------------------|--------------------|--------------------|---------------------|----|
| | 1 m (3.28 ft) | 2 m (6.56 ft) | 10 m (32.81 ft) | 25 m (82.02 ft) | 65 m (213.25 ft) | |
| | | 105 | 99 | 85 | 77 | 69 |

ENVIRONMENTAL REQUIREMENTS AND STANDARDS

| | |
|--------------------------------------|--|
| Ambient temperature during operation | -25 °C to +70 °C (-13 °F to 158 °F) |
| Relative humidity (non-condensing) | Max. 95 % |
| Degree of protection (EN 54-24) | IP33C |
| Approval | EN 54-24: 2008 BS 5839, Part 8 |

ORDER DATA

| | |
|-------------|-------------|
| Type number | 001-210-026 |
|-------------|-------------|

© INDUSTRONIC