



# CAREEX-6 ATEX SPEAKER

## EX SPEAKER FOR WALL-MOUNTING

The speaker is especially designed for installation in ex zones, e.g. laboratories.



- Robust industrial technology
- Sturdy and robust design
- Degree of protection of connection chamber IP67
- For use in explosive (hazardous) areas of zone 1

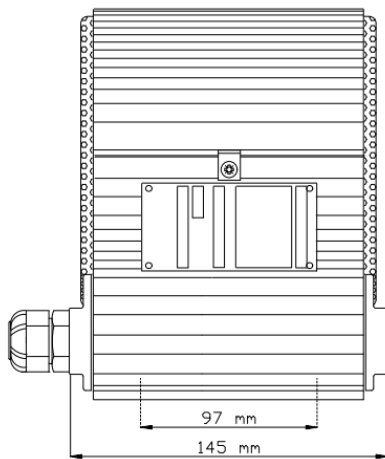
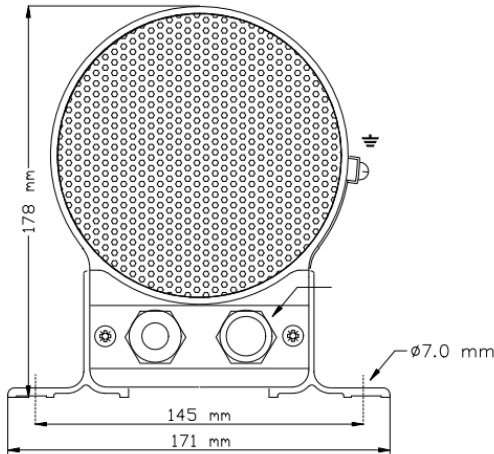
### MECHANICAL DATA

<b>Housing</b>	Aluminum anodized
<b>Width x height x length</b>	171 mm x 178 mm x 145 mm (6.73" x 7.01" x 5.71")
<b>Cable entries</b>	2 x M20 x 1.5
<b>Cable gland</b>	M20 metal , 1 x M20 stopping plug
<b>Weight</b>	3.6 kg (7.94 lbs)
<b>Color</b>	Gray
<b>Mounting</b>	Foot bracket

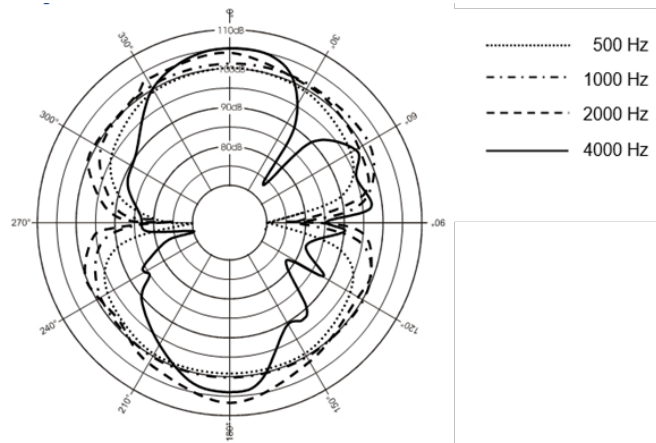
### ELECTRICAL DATA

<b>Rated power</b>	6 W
<b>Transformer tapings</b>	100 V: 6 W / 3 W / 1.5 W / 1 W / 0.5 W / 0.3 W
<b>Sound pressure level 1 W, 1 m (3.28 ft)</b>	90 dB (+/-3 dB)
<b>Sound pressure level 6 W, 1 m (3.28 ft)</b>	97 dB (+/-3 dB)
<b>Effective frequency range</b>	160 Hz to 16,000 Hz
<b>Dispersion angle (-6dB)</b>	1 kHz: 200°, 4 kHz: 40°

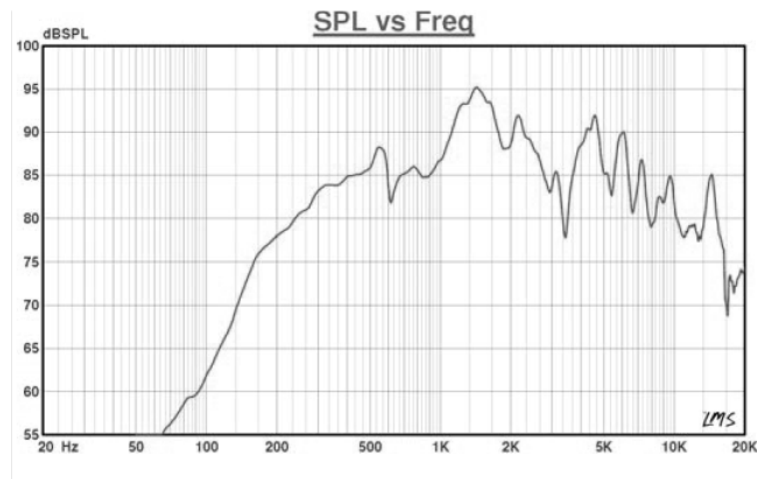
## DIMENSIONS



## POLAR DIAGRAMM



## FREQUENCY DIAGRAMM



## MEASUREMENT CONDITIONS

Sound pressure level (SPL)	1 W / 1 m (3.28 ft)
Pink noise	1/3 octave filter
Zero level in frequency response	55 dB
Range	45 dB

## SOUND PRESSURE LEVEL RELATED TO DISTANCE

$P_{max}$ 6 W	Level (dB)	(-6 dB)	(-20 dB)	(-24 dB)	(-26 dB)	
	at					
	1 m (3.28 ft)	2 m (6.56 ft)	10 m (32.80 ft)	15 m (49.21 ft)	20 m (65.61 ft)	
		97	91	77	73	71

## ENVIRONMENTAL REQUIREMENTS AND STANDARDS

Ambient temperature during operation	-20 °C to +40 °C (-4 °F to +104 °F)
Relative humidity (non-condensing)	Max. 95 %
Degree of protection of connection chamber	IP67
Approvals	ATEX, IECEx, GOST, CQST, INMETRO
Markings	IECEx : Ex d e IIB+H2 T6 Gb ATEX : Ex II 2G Ex d e IIB+H2 T6 Gb

## ORDER DATA

Type Number	001-206-022
-------------	-------------

© INDUSTRIONIC