

500 DVE 13

Digital Power Amplifier 2 x 250 W 100 V



Features and Functions

- 2 x 250 W continuous output
- Up to 7 kHz audio bandwidth with digital input
- Advantages of a digital power amplifier:
 - High efficiency
 - Little emergency power requirement
 - Long durability
- 48 VDC and 60 VDC emergency supply
- Temperature-controlled fan
- Integrated monitoring functions for functioning, short-circuit, excess temperature and voltage failure

The 500 DVE 13 digital power amplifier is part of the INDUSTRONIC communication and public address system with digital interfaces. The amplifier provides integrated monitoring functions and is especially designed for use in sound systems for emergency purposes according to the DIN EN 50849 / VDE 0828 as well as the EN 54-16 standard.

Additional Features

- Output transformer for 70 V and 100 V
- Flexible control due to digital input per channel and balanced analog input per channel
- Freely programmable

Components

- Stable sheet steel housing
- Solid power supply
- 2 digital power stages
- 2 digital interfaces

Options

- Amplifier available with 115 VAC (500 DVE 13/120, type no. 304-124-300/120)
- One channel version with 1 x 250 W output power (250 DVE 13, type no. 304-123-300)
- Zone selector (16 DCI 0x, 3 DRU 0x) to distribute the amplifier output to several loudspeaker groups

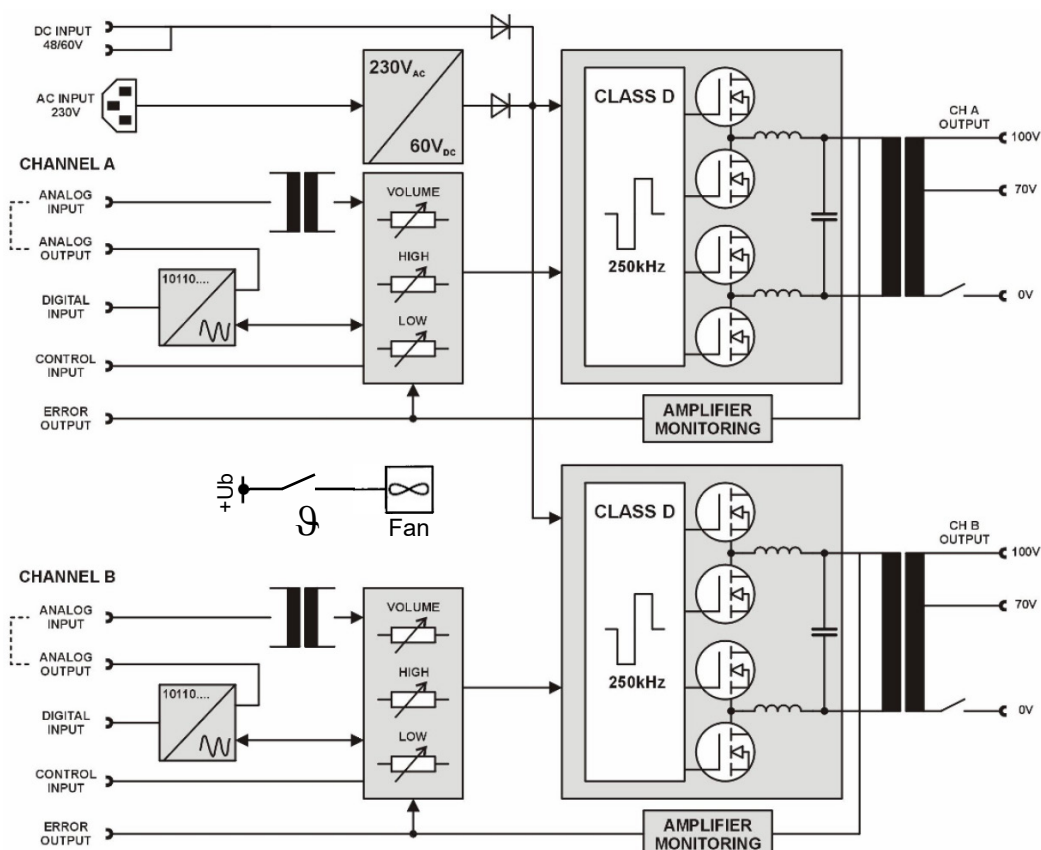


Fig. 1: Block diagram 500 DVE 13

Electrical Data

• Output power	2 x 250 W at 1 kHz sine wave
• Efficiency	> 80 %
• Distortion factor	< 1 %
• Signal-to-noise-ratio	> 80 dB
• Analog frequency response	200 Hz to 15,000 Hz +/-3 dB
• Digital frequency response	200 Hz to 7,200 Hz +/-3 dB
• AF input	0.4 V _{RMS} to 2 V _{RMS}
• Treble	+/-6 dB, 10,000 Hz
• Bass	+/-6 dB, 250 Hz
• Operating voltage	230 VAC +/-15%, 50 Hz to 60 Hz
• Emergency power	42 VDC to 72 VDC

Power Consumption (mains)

• Quiescent	10 VA
• Nominal power	620 VA

Current Consumption 60 V

• Quiescent	0.1 A
• Nominal power	10 A

Internal Fuses

• Mains supply	4 A M
• Emergency supply	2 x 8 A T

Mechanical Data		
• Design		19" rack mounting
• Width x height x depth		430 mm x 88 mm x 275 mm (16.93" x 3.46" x 10.83")
• Dimensions of the front plate		483 mm (19"), 2 RU
• Installation depth		Approx. 330 mm (approx. 12.99")
• Weight		Approx. 12.6 kg (approx. 27.78 lbs)

Environmental Requirements and Standards		
• Ambient temperature during operation		-5 °C to +50 °C (+23 °F to +122 °F)
• Relative humidity (non-condensing)		Max. 95 %
• EMC		IEC/EN 61000-6-2 IEC/EN 61000-6-4
• Sound Systems for Emergency Purposes		DIN EN 50849 or VDE 0828, EN 54-16

Order Data	Type	Type Number
	500 DVE 13	304-124-300
	500 DVE 13/120	304-124-300/120

INDUSTRONIC®
 Industrie-Electronic GmbH & Co. KG
 Carl-Jacob-Kolb-Weg 1
 97877 Wertheim / Germany

Tel.: +49 9342 871-0
 Fax: +49 9342 871-565

info@industronic.de
 www.industronic.com