

2 GW 01

DC/DC Converter



Main features

- Input voltage from 36 V to 72 V
- Maximum output current 2.1 A
- Efficiency up to 83%
- Short circuit protection and overload protection
- High reliability

The DC/DC converter 2 GW 01 is a part of the INDUSTRONIC communication and public address system with digital interfaces. It converts a source of direct current (DC) from one voltage level to another.

Mechanical data

• Construction	Plug-in board
• Height x width x depth	100 mm x 45 mm x 220 mm (1 3/4" x 4" x 8 3/4")
• Dimensions of the front plate	3 RU, 9 DU
• Weight	0.6 kg (approx. 1 1/4")
• Connection	Pluggable screw terminals

Electrical data

• Input voltage	36 VDC to 72 VDC
• Input current	max.1.5 A
• Output voltage	24 VDC
• Adjustment range	23 VDC to 30 VDC
• Output current	2.1 A
• Efficiency	83%
• Overload protection	105% to 150%
• Overvoltage protection	31 V to 37 V

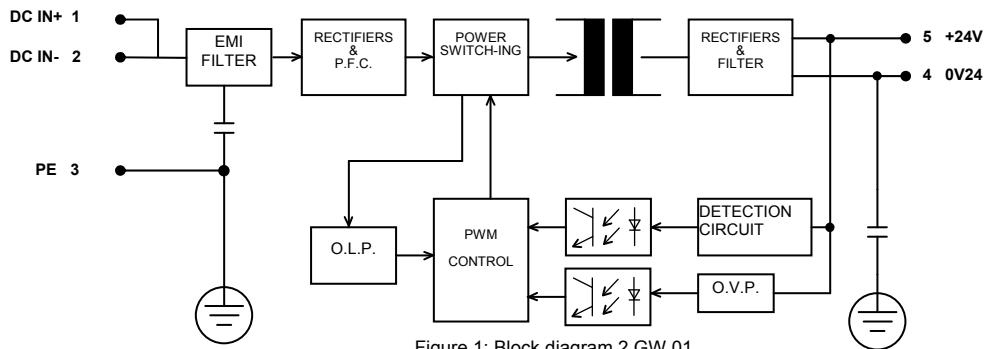


Figure 1: Block diagram 2 GW 01

Environmental requirements and standards

- | | |
|--|--------------------------------------|
| <ul style="list-style-type: none"> Ambient temperature during operation | -5 °C to +50 °C
(23 °F to 122 °F) |
| <ul style="list-style-type: none"> Relative Humidity (non-condensing) | Max. 95 % |

INDUSTRONIC®

Industrie-Electronic GmbH & Co. KG
 Carl-Jacob-Kolb-Weg 1
 97877 Wertheim / Germany

Tel.: +49 9342 871-0
 Fax: +49 9342 871-565

info@industronic.de
 www.industronic.com