

2 UKS 01

Key Switch Board



Features and Functions

- Activation of pre-defined system functions using a key
- 2 independent change-over contacts
- 2 LEDs indicating key position
- 3 LEDs to indicate additional system information
- Removable key

The 2 UKS 01 universal key switch from INDUSTRONIC is mainly used to turn system functions on or off. The function to be switched can be configured inside the INDUSTRONIC system. The 2 UKS 01 is often used as inhibit switch. The key itself can be removed from both key positions to prevent unauthorized usage.

Mechanical Data	• Design	Plug-in board
	• Front plate	3 RU, 8 HP
	• Weight	Approx. 160 g (approx. 0.5 lbs)
	• Connections	DIN 41612 connector, 48-p, type F
Electrical Data	• Operation voltage range	42 VDC to 72 VDC
	• Current consumption	20 mA
	• Switching capacity	3 A
	• Indication inputs	42 VDC to 72 VDC
Environmental Requirements	• Ambient temperature during operation	-5 °C to +50 °C (+23 °F to +122 °F)
	• Relative humidity (non-condensing)	Max. 95 %
Order Data	Type Number	
		343-041-200

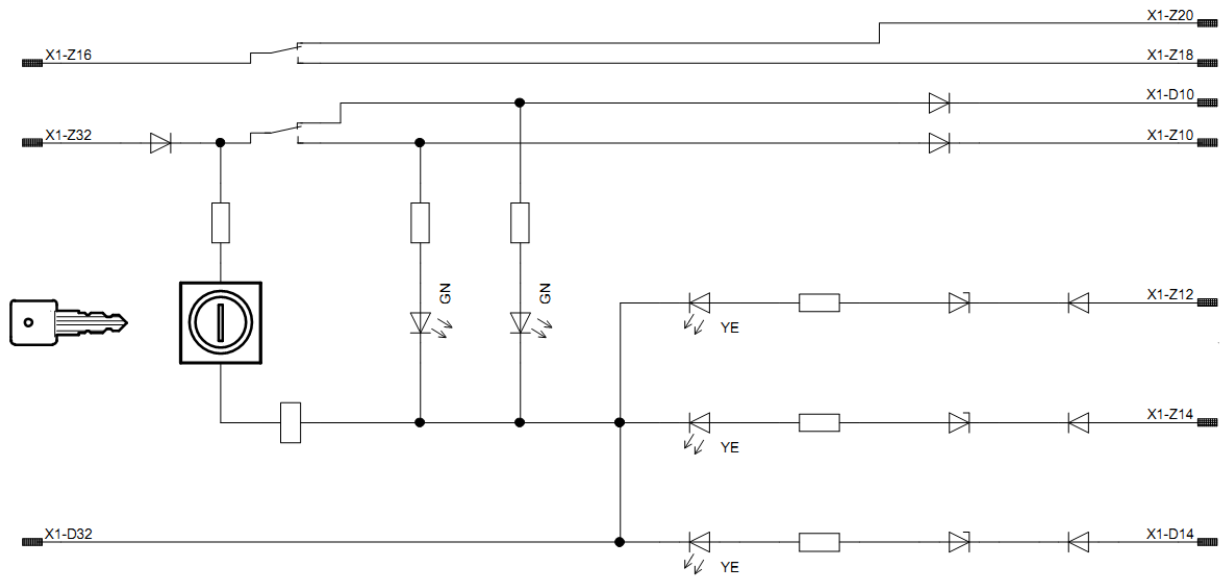


Figure 1: Block diagram 2 UKS 01

INDUSTRONIC®

Industrie-Electronic GmbH & Co. KG
 Carl-Jacob-Kolb-Weg 1
 97877 Wertheim / Germany

Tel.: +49 9342 871-0
 Fax: +49 9342 871-565

info@industronic.de
 www.industronic.com